

DVD PLAYER

DVD-S530/DV-S5550

SERVICE MANUAL

IMPORTANT NOTICE

This manual has been provided for the use of authorized YAMAHA Retailers and their service personnel. It has been assumed that basic service procedures inherent to the industry, and more specifically YAMAHA Products, are already known and understood by the users, and have therefore not been restated.

WARNING: Failure to follow appropriate service and safety procedures when servicing this product may result in personal injury, destruction of expensive components, and failure of the product to perform as specified. For these reasons, we advise all YAMAHA product owners that any service required should be performed by an authorized YAMAHA Retailer or the appointed service representative.

IMPORTANT: The presentation or sale of this manual to any individual or firm does not constitute authorization, certification or recognition of any applicable technical capabilities, or establish a principle-agent relationship of any form.

The data provided is believed to be accurate and applicable to the unit(s) indicated on the cover. The research, engineering, and service departments of YAMAHA are continually striving to improve YAMAHA products. Modifications are, therefore, inevitable and specifications are subject to change without notice or obligation to retrofit. Should any discrepancy appear to exist, please contact the distributor's Service Division.

WARNING: Static discharges can destroy expensive components. Discharge any static electricity your body may have accumulated by grounding yourself to the ground buss in the unit (heavy gauge black wires connect to this buss).

IMPORTANT: Turn the unit OFF during disassembly and part replacement. Recheck all work before you apply power to the unit.

CONTENTS


TO SERVICE PERSONNEL	2~3	TEST INSTRUCTION FRONT DISPLAY AND	
PREVENTION OF ELECTRO STATIC DISCHARGE	4	AUDIO/VIDEO BOARD	20~21
LOCALE MANAGEMENT INFORMATION	4	CIRCUIT DESCRIPTIONS	22~28
FRONT PANELS	5	ABBREVIATION LIST	29
REMOTE CONTROL	6	TECHNICAL SPECIFICATIONS DVD MODULE	30
REAR PANELS	6~7	IC DESCRIPTIONS	31~39
SPECIFICATIONS	8	WIRING DIAGRAM	40
SERVICE HINTS	9	BLOCK DIAGRAM	41
DISASSEMBLY PROCEDURES	10	PRINTED CIRCUIT BOARD	42~59
DIAGNOSTIC SOFTWARE AND		SCHEMATIC DIAGRAM	60~74
TROUBLESHOOTING	11~19	PARTS LIST	75~82
		REMOTE CONTROL	83

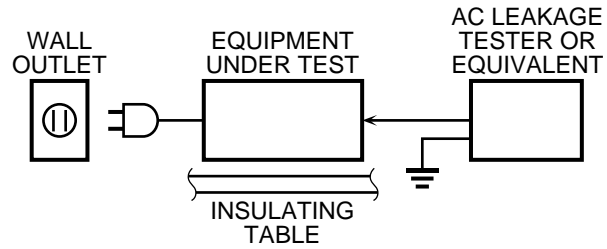


このサービスマニュアルは、エコマーク認定の再生紙を使用しています。
This Service Manual uses recycled paper.



■ TO SERVICE PERSONNEL

1. Critical Components Information
Components having special characteristics are marked  and must be replaced with parts having specifications equal to those originally installed.
 2. Leakage Current Measurement (For 120V Models Only)
When service has been completed, it is imperative to verify that all exposed conductive surfaces are properly insulated from supply circuits.
- Meter impedance should be equivalent to 1500 ohm shunted by 0.15µF.



- Leakage current must not exceed 0.5mA.
- Be sure to test for leakage with the AC plug in both polarities.

THE DVD AUDIO/VIDEO RECEIVER SHOULD NOT BE ADJUSTED OR REPAIRED BY ANYONE EXCEPT PROPERLY QUALIFIED SERVICE PERSONNEL.



CAUTION

1110: FOR CONTINUED PROTECTION AGAINST RISK OF FIRE, REPLACE ONLY WITH SAME TYPE 2A, 250V FUSE.

CAUTION

1110: REPLACE WITH SAME TYPE 2A, 250V FUSE.

ATTENTION

1110: UTILISER UN FUSIBLE DE RECHANGE DE MEME TYPE DE 2A, 250V.

WARNING: CHEMICAL CONTENT NOTICE!

The solder used in the production of this product contains LEAD. In addition, other electrical/electronic and /or plastic (where applicable) components may also contain traces of chemicals found by the California Health and Welfare Agency (and possibly other entities) to cause cancer and/or birth defects or other reproductive harm.

DO NOT PLACE SOLDER, ELECTRICAL/ELECTRONIC OR PLASTIC COMPONENTS IN YOUR MOUTH FOR ANY REASON WHATSOEVER!

Avoid prolonged, unprotected contact between solder and your skin! When soldering, do not inhale solder fumes or expose eyes to solder/flux vapor!

If you come in contact with solder or components located inside the enclosure of this product, wash your hands before handling food.

WARNING: Laser Safety

This product contains a laser beam component. This component may emit invisible, as well as visible radiation, which may cause eye damage. To protect your eyes and skin from laser radiation, the following precautions must be used during servicing of the unit.

- 1) When testing and/or repairing any component within the product, keep your eyes and skin more than 30 cm away from the laser pick-up unit at all times. Do not stare at the laser beam at any time.
- 2) Do not attempt to readjust, disassemble or repair the laser pick-up, unless noted elsewhere in this manual.
- 3) CAUTION: Use of controls, adjustments or performance of procedures other than those specified herein may result in hazardous radiation exposure.

Laser Emitting conditions:

- 1) When the Top Cover is removed and the "STANDBY/ON" SW is turned to the "ON" position, the laser component will emit a beam for several seconds to detect if a disc is present. During this time (5 - 10 sec.) the laser may radiate through the lens of the laser pick-up unit. Do not attempt any servicing during this period!
If no disc is detected, the laser will stop emitting the beam. When a disc is loaded, you will not be exposed to any laser emissions.
- 2) The laser power level can be adjusted with the VR on the pick-up PWB. However, this level has been set by the factory prior to shipping from the factory. Do not adjust this laser level control unless instruction is provided elsewhere in this manual.
Adjustment of this control can increase the laser emission level from the device.

DVD-S530/DV-S5550

Laser Diode Properties

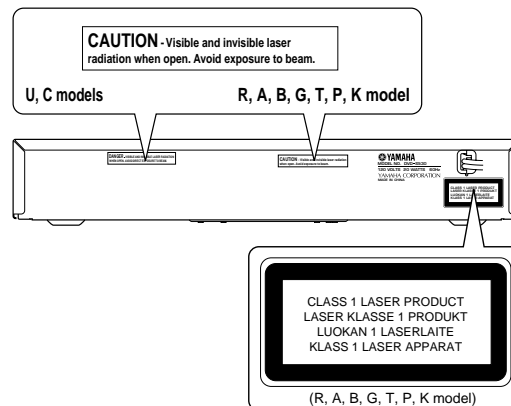
Type:	Semiconductor laser GaAlAs
Wave length:	650 nm (DVD) 780 nm (VCD/CD)
Output Power:	0.8 mW (DVD) 0.3 mW (VCD/CD)
Beam divergence:	60 degree

VARO! : AVATTAESSA JA SUOJALUKITUS OHITETTAESSA OLET ALTTIINA NÄKYMÄTTÖMÄLLE LASER-SÄTEILYLLE. ÄLÄ KATSO SÄTEESEEN.

WARNING! : OSYNLIG LASERSTRÅLNING NÄR DENNA DEL ÄR ÖPPNAD OCH SPÄRREN ÄR URKOPPLAD. BETRAKTA EJ STRÅLEN.

WARNING

The use of optical instruments with this product will increase eye hazard.
Repair handling should take place as much as possible with a disc loaded inside the player



WARNING LOCATION: REAR PANEL

CAUTION VISIBLE AND INVISIBLE LASER RADIATION WHEN OPEN. AVOID EXPOSURE TO BEAM
ADVARSEL SYNLIG OG USYNLIG LASERSTRÅLING VED ÅBNING UNDGÅ UDSÆTTELSE FOR STRÅLING
ADVARSEL SYNLIG OG USYNLIG LASERSTRÅLING NÄR DEKSEL ÅPNES UNNGÅ EKSPONERING FOR STRÅLEN
WARNING SYNLIG OCH OSYNLIG LASERSTRÅLNING NÄR DENNA DEL ÄR ÖPPNAD BETRAKTA EJ STRÅLEN
VARO! AVATT AESSA OLET ALTTIINA NÄKYVÄLLE JA NÄKYMÄTTÖMÄLLE LASER SÄTEILYLLE. ÄLÄ KATSO SÄTEESEEN
VORSICHT SICHTBARE UND UNSICHTBARE LASERSTRAHLUNG WENN ABDECKUNG GEÖFFNET NICHT DEM STRAHL AUSSETZEN
DANGER VISIBLE AND INVISIBLE LASER RADIATION WHEN OPEN. AVOID DIRECT EXPOSURE TO BEAM
ATTENTION RAYONNEMENT LASER VISIBLE ET INVISIBLE EN CAS D'OUVERTURE EXPOSITION DANGEREUSE AU FAISCEAU

Warning for power supply

The primary side of the power supply carries live mains voltage when the player is connected to the mains even when the player is switched off !

This primary area is not shielded so it is possible to touch copper tracks and/or components when servicing the player. Service personnel have to take precautions to prevent touching this area or components in this area .

The primary side of the power supply has been indicated with a lightening stroke and a stripe-marked print on the printed wiring board

Note:

The screws on the DVD mechanism (position 9 in on the exploded view drawing) may never be touched, removed or re-adjusted.

Handle the DVD mechanism with care when the unit has to be exchanged!

The DVD mechanism is very sensitive for dropping or giving shocks.

■ PREVENTION OF ELECTRO STATIC DISCHARGE

The laser diode in the DVD mechanism may be damaged due to static electricity from clothes or the human body. Use caution to prevent electrostatic damage when servicing or handling the DVD-mechanism.

1. Grounding for electrostatic damage prevention

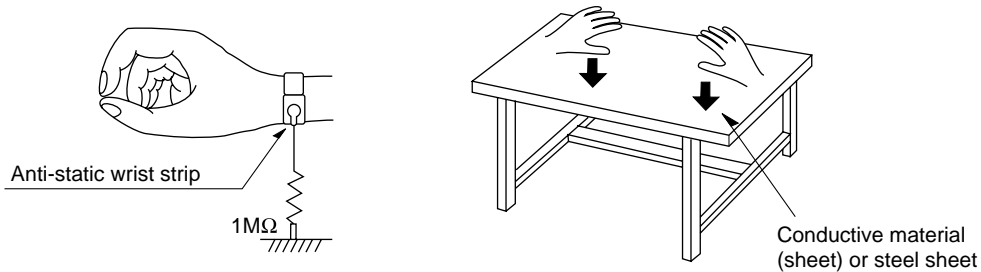
Some devices, such as the DVD player, use an optical pickup (laser diode) that will be damaged by static electricity in the working environment. Only attempt service after ensuring that all grounding procedures have been completed.

1. Worktable grounding

Put a grounded conductive material (sheet) or iron sheet on the area where the optical pickup is placed.

2. Human body grounding

Use an anti-static wrist strap to discharge the static electricity from your body.



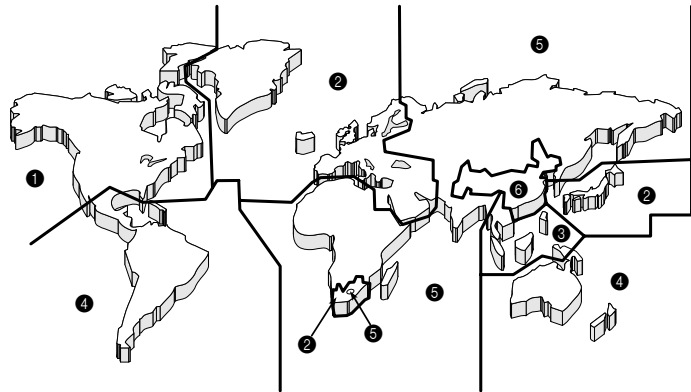
2. Handling Precautions for DVD mechanism

1. Handle the DVD mechanism gently, as it is an extremely high-precision assembly.
2. The flexible cable lines may break if an excessive force is applied to it. Use caution when handling the cable.
3. The semi-fixed resistor for laser power adjustment should not be adjusted. Do not turn the resistor.

■ LOCALE MANAGEMENT INFORMATION

Locale Management Information : This DVD player is designed and manufactured to respond to the Locale Management Information that is recorded on the DVD disc. If the Locale number described on the DVD disc does not correspond to the Locale number of this DVD player, this DVD player cannot play this disc.

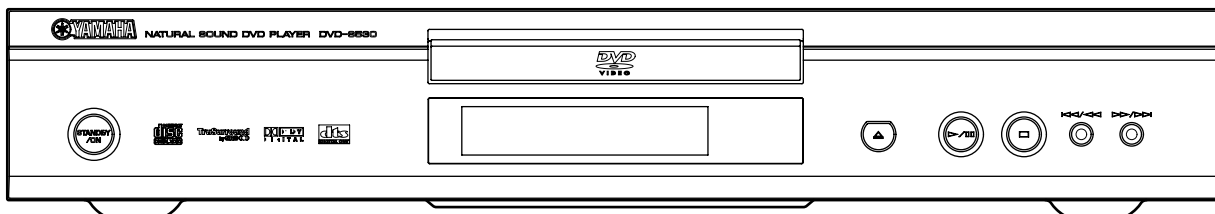
This product incorporates copyright protection technology that is protected by method claims of certain U.S. patents and other intellectual property rights owned by Macrovision Corporation and other rights owners. Use of this copyright protection technology must be authorized by Macrovision Corporation, and is intended for home and other limited viewing uses only unless otherwise authorized by Macrovision Corporation. Reverse engineering or disassembly is prohibited.



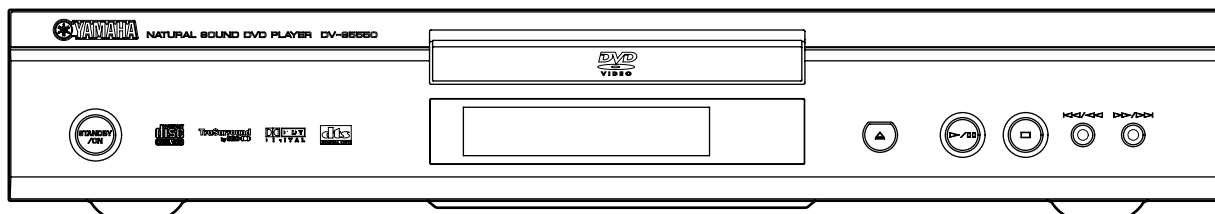
DVD-S530/DV-S5550

FRONT PANELS

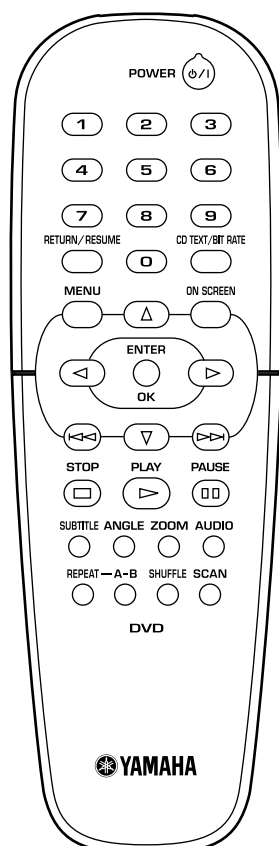
DVD-S530



DV-S5550



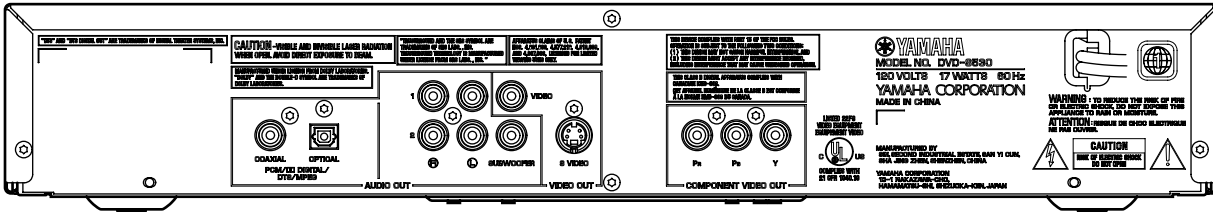
REMOTE CONTROL



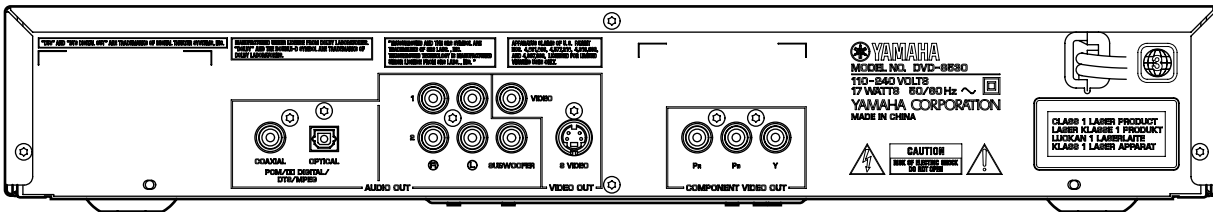
DVD-S530/DV-S5550

REAR PANELS

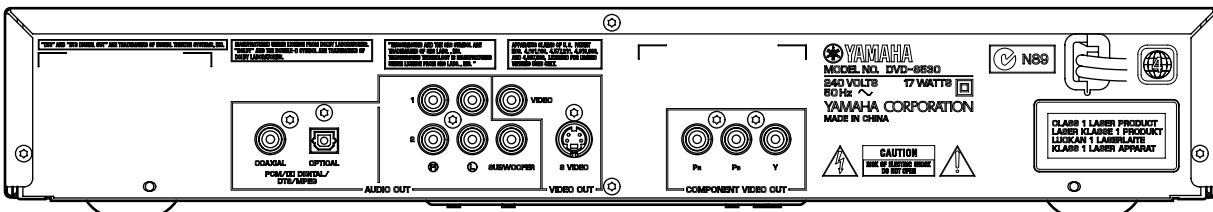
DVD-S530 U, C models



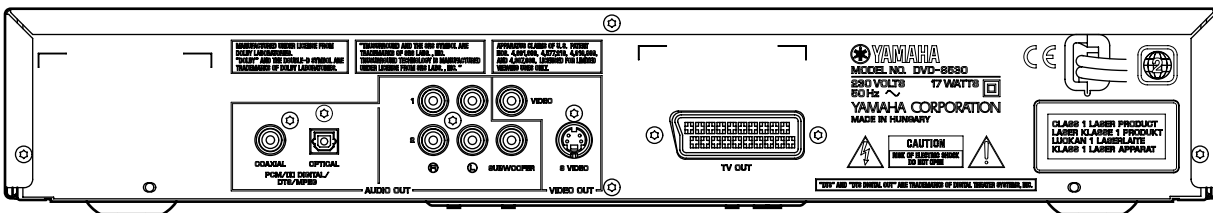
DVD-S530 R model



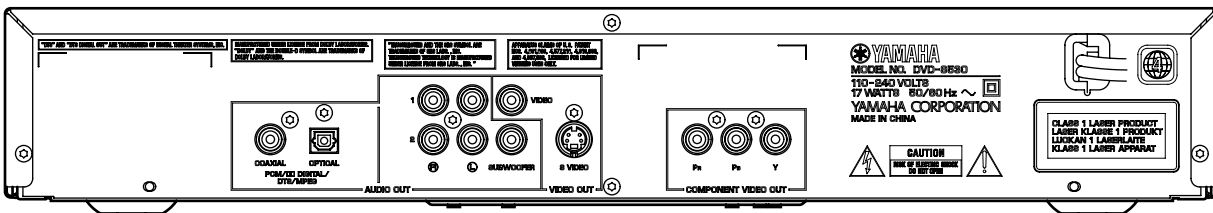
DVD-S530 A model



DVD-S530 B, G models

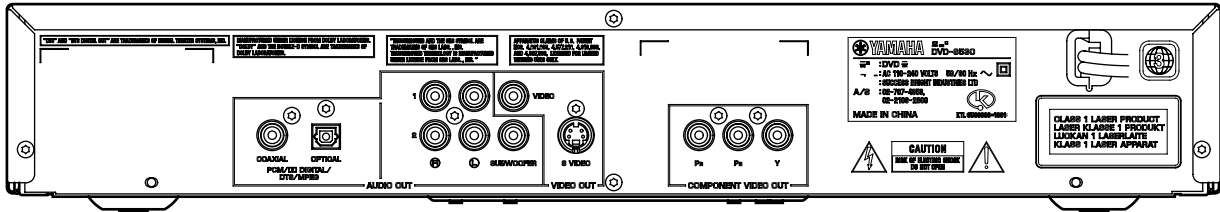


DVD-S530 P model

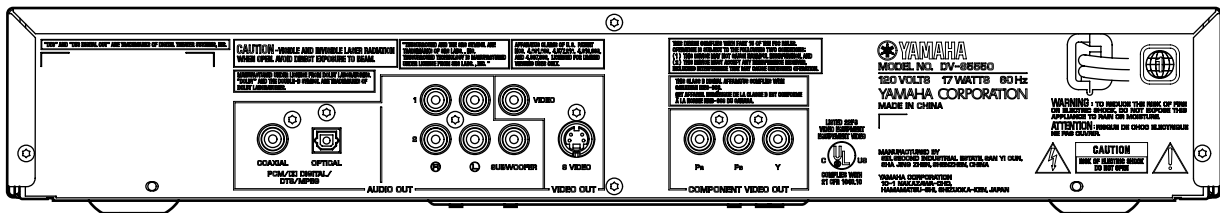


DVD-S530/DV-S5550

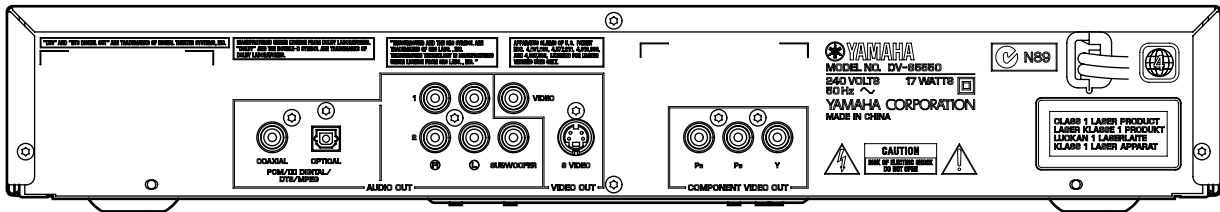
DVD-S530 K model



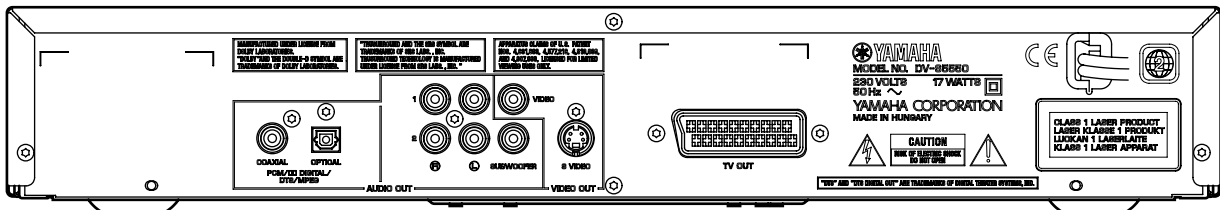
DV-S5550 U, C model



DV-S5550 A model



DV-S5550 G model



DVD-S530/DV-S5550

■ SPECIFICATIONS

PLAYBACK SYSTEM

DVD Video
 DVD+RW
 DVD+R
 Video CD and SVCD
 CD (CD-R and CD-Rw)
 MP3 CD

TV STANDARD	(PAL/50Hz)	(NTSC/60Hz)
Number of lines	625	525
Playback	Multistandard	(PAL/NTSC)

VIDEO PERFORMANCE

Video output 1 Vpp into 75 ohm
 RGB (SCART) output 0.7 Vpp into 75 ohm
 Black Level Shift On/Off
 Video Shift Left/Right

AUDIO FORMAT

Digital	MPEG	Compressed Digital
	DTS/Dolby Digital	
	PCM	16, 20, 24 bits fs, 44.1, 48, 96 kHz

Analog Sound Stereo
 Dolby Pro Logic downmix from Dolby Digital multi-channel sound
 3D Sound (TruSurround) for virtual 5.1 channel sound on 2 speakers

AUDIO PERFORMANCE

DA Converter	24 bits	
DVD	fs 96 kHz	2 Hz 44 kHz
DVD	fs 48 kHz	2 Hz 22 kHz
VCD/CD	fs 44.1 kHz	2 Hz 20 kHz
Signal-Noise (1kHz)		105 dB
Dynamic Range (1kHz)		100 dB
Harmonic Distortion and Noise (1kHz)		0.0030 %
MPEG MP3		MPEG Audio L3

CONNECTIONS

Y Output	Cinch (green)	(U, C, R, A, P, K)
Pb/Cb Output	Cinch (blue)	(U, C, R, A, P, K)
Pr/Cr Output	Cinch (red)	(U, C, R, A, P, K)
SCART	Euroconnector	(B, G)
S-Video Output	Mini DIN, 4 pins	
Video Output	Cinch (yellow)	
Audio L+R output	Cinch (white/red)	
Audio Subwoofer	Cinch (black)	
Digital Output	1 coaxial, 1 optical	
	IEC958 for CDDA / LPCM	
	IEC1937 for MPEG1/2, Dolby Digital, DTS	

GENERAL

Dimensions(w x h x d)	435 x 75 x 302 mm (17-1/8" x 2-15/16" x 11-7/8")
Weight	Approx. 2.8 Kg (6 lbs. 3 oz.)
Finish	DVD-S530 Gold Black Titanium DV-S5550 Black Titanium
Power supply	120 V, 60 Hz (U, C) 230 V, 50 Hz (B, G) 240 V, 50 Hz (A) 110-240 V, 50/60 Hz (R, P, K)
Power consumption	17 W
Standby power consumption (reference data)	3 W

* Specifications are subject to change without notice due to product improvements.

U	U.S.A. model	C	Canada model
G	Europe model	B	British model
A	Australia model	R	General model
P	South America model	K	Korean model

TruSurround and the SRS symbol are trademarks of SRS Labs., Inc. TruSurround technology is incorporated under license from SRS Labs., Inc.

TruSurround™
 by **SRS** 

Manufactured under license from Dolby Laboratories. "Dolby" and the double-D symbol are trademarks of Dolby Laboratories.

"DTS" and "DTS Digital Out" are trademarks of Digital Theater Systems, Inc.

This product incorporates copyright protection technology that is protected by method claims of certain U.S. patents and other intellectual property rights owned by Macrovision Corporation and other rights owners. Use of this copyright protection technology must be authorized by Macrovision Corporation, and is intended for home and other limited viewing uses only unless otherwise authorized by Macrovision Corporation. Reverse engineering or disassembly is prohibited.

■ SERVICE HINTS

● Power Supply Unit

The power supply unit has to be replaced in case of failure. The schematic provided in the manual is only for information and no service parts will be available.

● DVD Mechanism

1. The DVD mechanism is not a repairable unit and in case of failure, it has to be replaced with a new DVD mechanism.

Note: When replacing with a new DVD mechanism, two solder joints have to be removed after connecting the OPU flex foil to the mono board.

The solder joints, which shortcircuits the laser diodes to ground, are for protection against ESD. Refer to Fig. 1 and 2 for location of solder joints.

2. The mono board has to be repaired down to component level. Repair handling of the monoboard requires a workshop with sophisticated desoldering tools.

Laser Diode Shorting Solder Joints

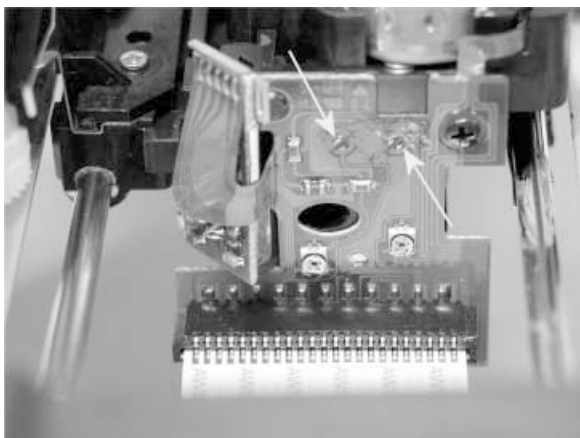


Fig. 1

DVD mechanism Solder Joints



Fig. 2

● Service Positions

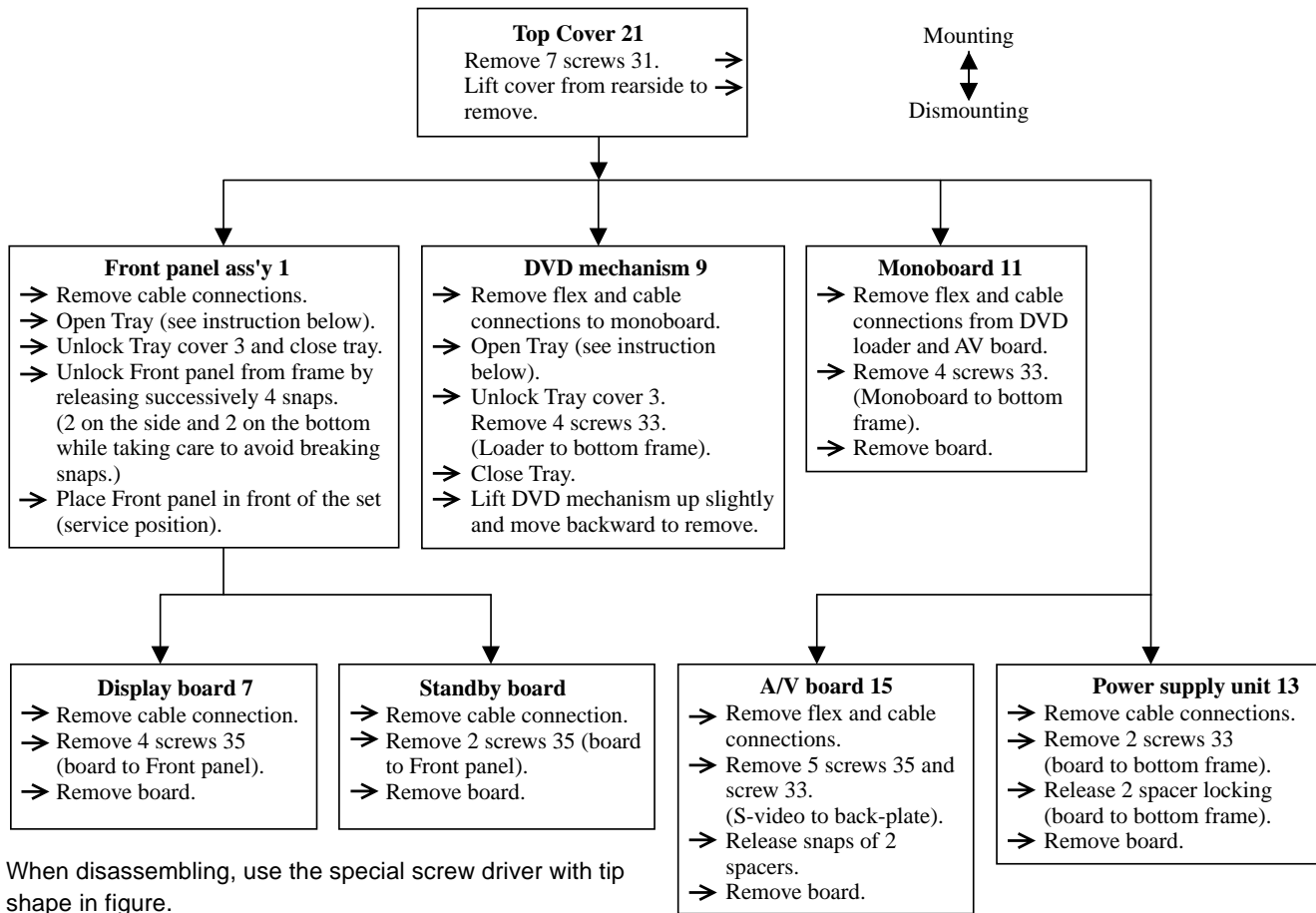
Refer to dismantling instructions for dismantling of the board. Fig. 3 shows the service position that are recommended during repair of the boards.



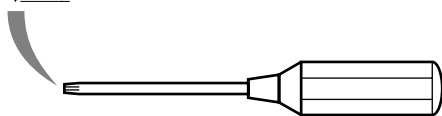
Fig. 3

DISASSEMBLY PROCEDURES

See exploded view for item numbers.



T10 2.7 mm



The way to remove tray

1. Push the lever toward the right by using screwdriver, move the tray by pulling it forward. (Fig. 1)
2. While lifting up the lever (①), move the left side of the tray by pulling it forward (②). (Fig. 2)
3. While lifting up the tray (③), remove the tray by pulling it forward (④). (Fig. 2)

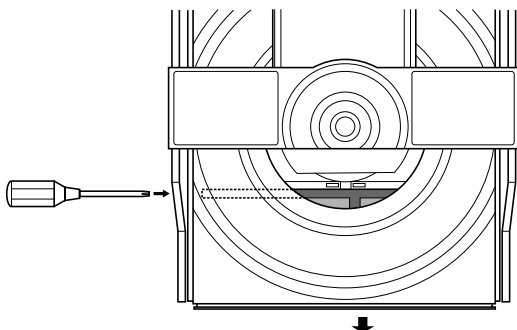


Fig. 1

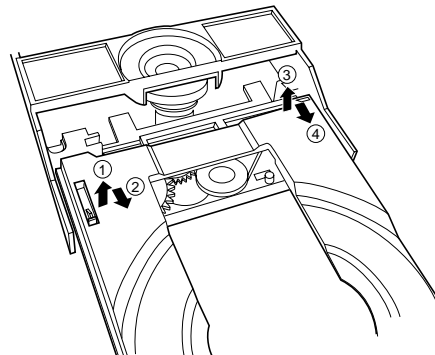


Fig. 2

■ DIAGNOSTIC SOFTWARE AND TROUBLESHOOTING

1. Dealer Script

1.1 Purpose of Dealer Script

The dealer script can give a diagnosis on a standalone DVD player, no other equipment is needed to perform a number of hardware tests to check if the DVD player is faulty. The diagnosis is simply a "error" or "pass" message. No indication is given of faulty hardware modules. Only tests within the scope of the diagnostic software will be executed hence only faults within this scope can be detected.

1.2 Contents of Dealer Script

The dealer script executes all diagnostic nuclei that do not need any user interaction and are meaningful on a standalone DVD player.

The nuclei called in the dealer script are the following (the number after each nucleus name corresponds with the number being on the local display when the nucleus is executed during the dealer script):

Nucleus

Display Countdown	Nucleus Number	Nucleus Name	Description
6	6	PapChksFl	Calculate and verify checksum of FLASH memory
5	12	PapI2cDisp	Checks the I2C interface with the slave processor on the display board
4	13	PapS2bEcho	Checks the I2C interface to the basic engine
3	11	PapI2cNvram	Checks the I2C interface with the NVRAM
2	15	PapNvramWrR	Pattern test of all locations in the NVRAM
1	16	CompSdramWrR	Pattern test of all locations in the SDRAM(s)

Fig. 1

Dealer Script

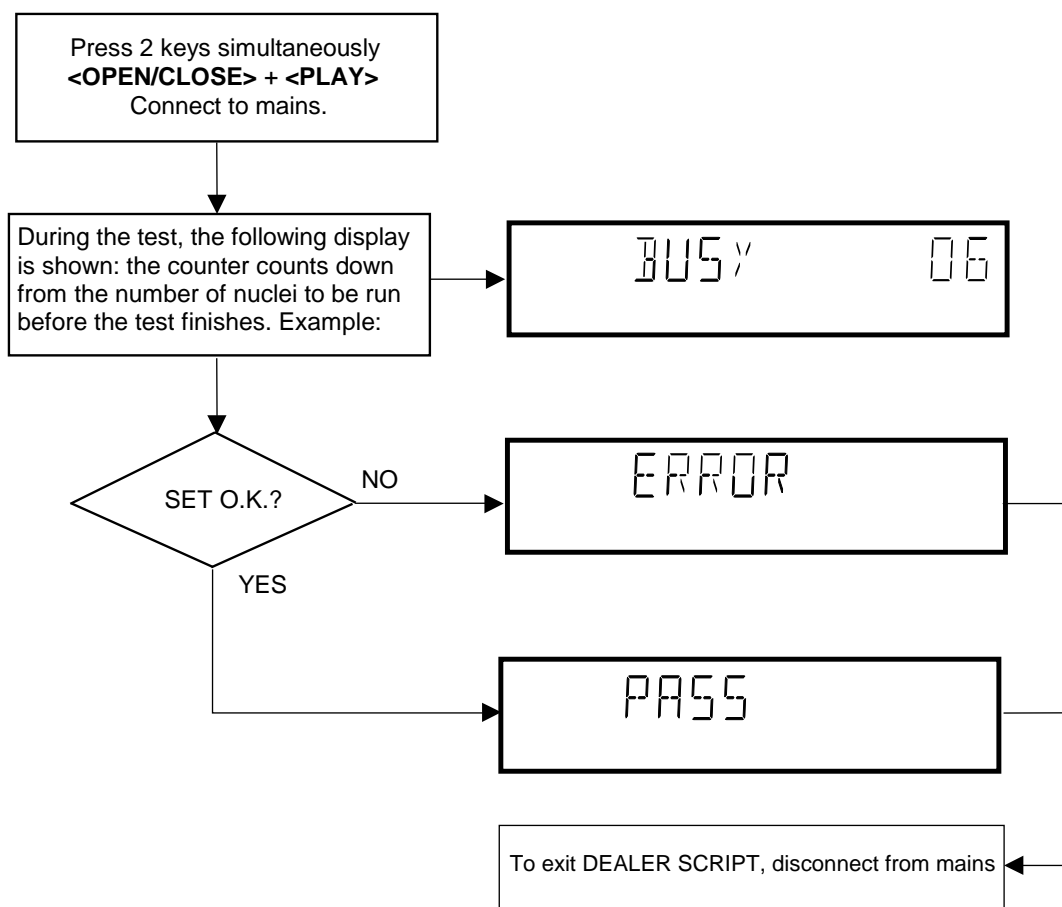


Fig. 2

2. Player Script

2.1 Purpose of Player Script

The Player script will give the opportunity to perform a test that will determine which of the DVD player's modules are faulty, to read the error log and error bits and to perform an endurance loop test. To successfully perform the tests, the DVD player must be connected to a TV set to check the output of a number of nuclei.

To be able to check results of certain nuclei, the player script expects some interaction of the user (i.e. to approve a test picture or a test sound). Some nuclei (e.g. nuclei that test functionality of the Basic Engine module) require that the DVD player itself is opened, to enable the user to observe moving parts and approve their movement visually. Only tests within the scope of the diagnostic software will be executed hence only faults within this scope can be detected.

2.2 Contents of Player Script

The player script contains all nuclei that are useful on a DVD player that is connected to a TV set and help to determine which module of the DVD player is faulty, as well as to read out the contents of the error logs.

2.3 Structure of Player Script

The player script consists of a set of nuclei testing the three hardware modules in the DVD player: the Display PWB, the Digital PWB, and the Basic Engine.

Nuclei run by the player test need some user interaction. In the next paragraph this interaction is described. The player test is done in two phases:

1. Interactive tests: this part of the player test depends strongly on user interaction and input to determine nucleus results and to progress through the full test. Reading the error log and error bits information can be useful to determine any errors that occurred recently during normal operation of the DVD player.
2. The loop test: this part of the player test will loop through the list of nuclei indefinitely, till the player is reset. The list of nuclei is as follows:
 - PapChksFlash
 - PapS2bEcho
 - Papl2cNvram
 - Papl2cDisp
 - CompSdramWvR

At the beginning of the tests, the DSW version number will be indicated on the local display of the DVD. The display will look like the following:

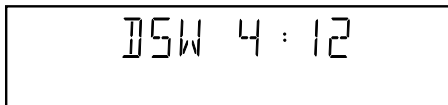


Fig. 3

Pressing the PLAY key will proceed to the slave S/W version display, which is shown on the local display of the DVD player.

The display will look like the following:

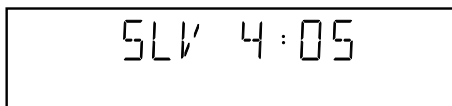


Fig. 4

Press the PLAY key to proceed to the next test.

2.4 Survey

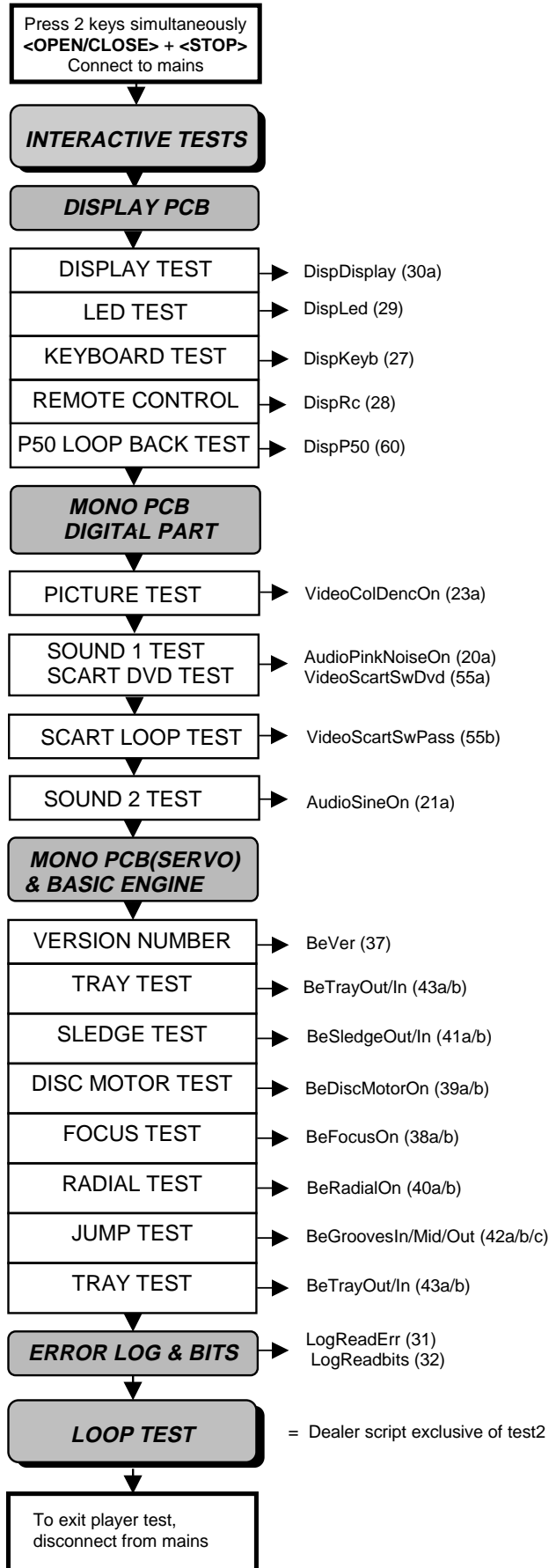


Fig. 5

3. Display PCB

3.1 Display Test

The display test is performed by nucleus DispDisplay. By putting a series of test patterns on the local display, the local display is tested. To step through all different patterns, the user must either press OPEN/CLOSE (pattern is ok) or STOP (pattern was incorrect) to proceed to the next pattern. The display of patterns is continued in a cyclic manner, shown in Fig. 6, until the user presses PLAY. If the user presses PLAY before all display patterns are tested, the DispDisplay nucleus will return FALSE (display test unsuccessful).

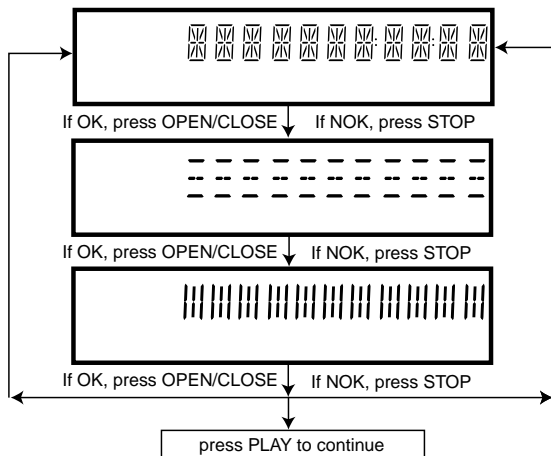


Fig. 6

3.2 Keyboard Test

The keyboard of the DVD player is tested by nucleus DispKeyb. The user is expected to press all keys on the local keyboard once. The code of the key pressed is shown on the local display (1 hexadecimal digit) immediately followed by a (hexadecimal) number indicating how many times that key has been pressed. Example of the local display during this test:

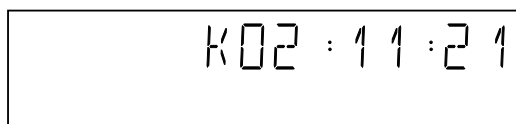


Fig. 7

The key-codes displayed on the local display will scroll from right to left when the display gets full, the text "K" will remain on display.

KEY ID	KEY
0	PLAY/PAUSE ▷/◻◻
1	STOP ◻
2	OPEN/CLOSE ▲
3	STANDBY/ON
4	NEXT ▷▷
5	PREVIOUS ◁◁

Fig. 8

If any keys are detected more than once (due to hardware error), the key-code is displayed twice (or more), with the second digit increased by 1.

If the user does not press all keys at least once (in any order), the DispKeys nucleus will return FALSE and cause an error in the overall result of the player script.

The user can leave the keyboard test by pressing the PLAY key on the local display of the DVD player for at least one full second.

The result of the keyboard test is shown on local display as follows:

Note: With this model, "FAIL" always appears because of less number of keys but it does not mean anything abnormal.

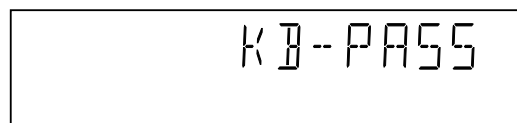


Fig. 9

Or

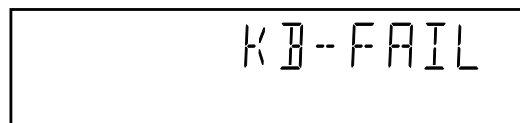


Fig. 10

Pressing PLAY on the local keyboard again will proceed to the next text.

3.3 Remote Control Test

The remote control of the DVD player is tested by nucleus DispRc. The user must press any key on the remote control just once. The codes of the key pressed will be shown on the local display in hexadecimal format. Example:

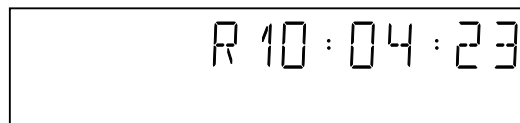


Fig. 11

DVD-S530/DV-S5550

In this example 23 is the hexadecimal code of the pressed RC key. The user can leave the remote-control test by pressing PLAY on the local keyboard of the DVD player. The remote control test is successful if a code was received before the user pressed the PLAY key. Pressing the PLAY key, before pressing a key on the remote control, gives an error in the remote control test (note that the remote control test will also fail if a key on the remote control was pressed but no code was received). The remote control test does not check upon the contents of the received code, that is it will not be checked if the received code matches the key pressed. If desired, the user can manually check this code by using a code-table for the remote control key-codes.

RC Key id	Hexadecimal code
POWER $\phi/1$	0C
1	1
2	2
3	3
4	4
5	5
6	6
7	7
8	8
9	9
0	0
RETURN/RESUME	83
CD TEXT/BIT RATE	EF
MENU	54
ON SCREEN	82
CURSOR UP Δ	58
CURSOR DOWN ∇	59
CURSOR LEFT \triangleleft	5A
CURSOR RIGHT \triangleright	5B
OK/ENTER	5C
PREVIOUS $\triangleleft\triangleleft$	21
NEXT $\triangleright\triangleright$	20
STOP \square	31
PLAY \triangleright	2C
PAUSE $\square\square$	30
SUBTITLE	4B
ANGLE	85
ZOOM	F7
AUDIO	4E
REPEAT	1D
REPEAT A-B	3B
SHUFFLE	1C
SCAN	2A

Fig. 12

After pressing PLAY, the result of the remote control test is displayed on the local display of the DVD player as follows:

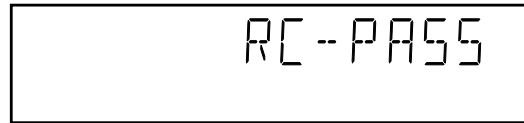


Fig. 13

Or

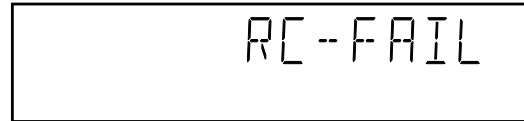


Fig. 14

Pressing PLAY on the local keyboard again will proceed to the next test.

3.5 P50 Loop-Back Test

For the P50 loop-back test, the user must first press a key to decide if the test is to be performed.

The display will show the following message:



Fig. 15

If the user presses STOP, the P50 test will be skipped. If the user presses OPEN/CLOSE, the P50 test is performed and the result is displayed as follows:

Test successful:



Fig. 16

Test fails:

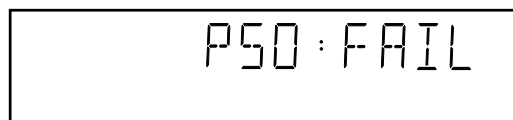


Fig. 17

Press the PLAY key to continue to the next text.

4. Mono PCB Digital Part

4.1 Picture Test

The picture test is performed by putting a predefined picture (color bar) on the display (nucleus VideoColDencOn), and asking the user for confirmation.

The display will show the following message:

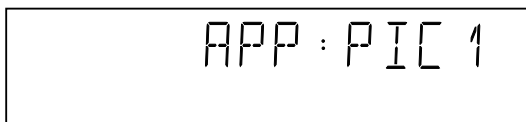


Fig. 18

By pressing OPEN/CLOSE the user confirms the test, pressing STOP will indicate the picture was invisible or incorrect.

Pressing PLAY will proceed to the next test. If the user presses PLAY without pressing OPEN/CLOSE or STOP first, the result of this test will be TRUE (picture ok).

Note: The color bar must be simultaneously available on the CVBS, YC, and RGB (or YUV) outputs available. On the SCART only the CVBS and RGB signals will be available.

4.2 Sound 1 & SCART DVD Test

The first soundtest is performed by starting a pink noise sound that needs confirmation from the user (nucleus AudioPinkNoiseOn).

The display will show the following message:

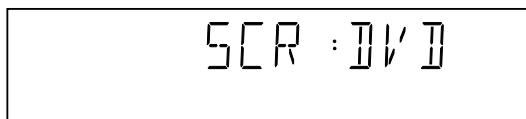


Fig. 19

On the TV screen a color bar (generated by nucleus VideoColDencOn) is visible and the internally generated pinknoise is audible.

By pressing the PLAY key, the user confirms the test.

Pressing the STOP key will indicate the sound was inaudible or incorrect.

By pressing the PLAY key, there will be switched over to the external source. This must become now visible on the TV screen (using the SCART).

The local display will show the following message:

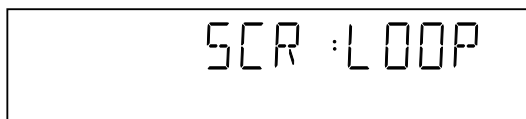


Fig. 20

The internally generated color bar is still available on the CVBS and Y/C outputs. And the pinknoise-signal is still available on the cinch audio outputs. By pressing the OPEN/CLOSE button, the internal generated color bar becomes visual again.

The test can be left by pressing the PLAY key for more than one second.

4.3 Sound 2 Test

The second soundtest is performed by producing a sine sound (nucleus AudioSineOn). The signal can be stopped by pressing the STOP key.

The display will show the following message:

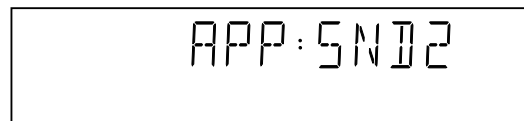


Fig. 21

After the audio signal has been stopped, by pressing OPEN/CLOSE, the user confirms the test. Pressing STOP will indicate that something went wrong. Pressing PLAY will proceed to the next. If the user presses PLAY without pressing OPEN/CLOSE or STOP first, the result of this test will be TRUE (sound ok).

5. Basic Engine

5.1 Version Number

In the basic engine tests, the version number of the Basic Engine will be shown first, as the following example:

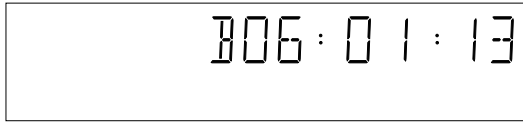


Fig. 22

By pressing the PLAY key, the Basic Engine tests are started.

5.2 Tray Test

First, the tray is tested. The purpose of this test is also to give the user the opportunity to put a disc in the tray of the DVD player. Some tests on the Basic Engine require that a disc (e.g. DVD MPTD test disc) is present in the player. At the end of the Basic Engine tests this tray test will be repeated solely to enable the user to remove the disc in the tray.

The local display will look as follows:

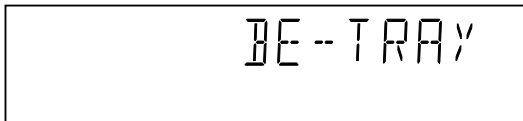


Fig. 23

By pressing OPEN/CLOSE the user can toggle the position of the tray. Note that this test will not contribute to the test result of the Basic Engine. Pressing PLAY will proceed to the next test. At this point, the tray will be closed automatically by the software if it was open.

5.3 Sledge Test (Visual Test)

The second Basic Engine test tests the sledge. The user can move the sledge as many times as desired by using OPEN/CLOSE (nucleus BeSledgeOut) and STOP (nucleus BeSledgeIn). Pressing PLAY on the local keyboard proceeds to the next test. Note that this test will not contribute to the test result of the Basic Engine.

The local display will look as follows during the sledge test:

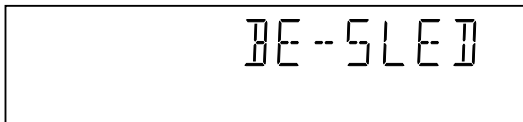


Fig. 24

5.4 Disc Motor Test (Visual Test)

The third Basic Engine test tests the disc motor (nucleus BeDiscMotorOn).

The local display looks as follows:

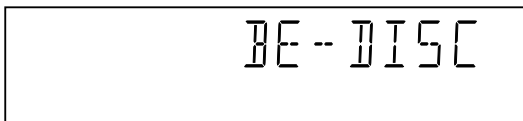


Fig. 25

By pressing OPEN/CLOSE the user confirms that the disc motor is running. Pressing STOP indicates the disc motor does not work. Pressing PLAY proceeds to the next test, after a reset of the disc motor (nucleus BeDiscMotorOff). If the user presses PLAY before pressing OPEN/CLOSE or STOP, the result of this test will be TRUE (disc motor is running).

5.5 Focus Test (Visual Test)

The fourth Basic Engine test tests the focusing. First focusing is turned on by calling nucleus BeFocusOn.

The display will look as follows:

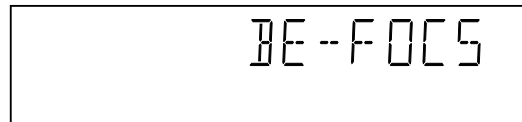


Fig. 26

By pressing OPEN/CLOSE the user confirms that the focusing was successful. Pressing STOP indicates a focusing failure. Pressing PLAY proceeds to the next test after a reset of the focusing (nucleus BeFocusOff). If PLAY is pressed before OPEN/CLOSE or STOP, the result of this test will be TRUE (focus successful).

5.6 Radial Test (Visual & Listening Test)

The fifth Basic Engine test tests the radial functionality (nucleus BeRadialOn).

The local display looks as follows:

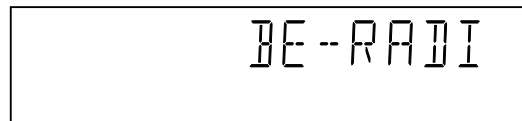


Fig. 27

By pressing OPEN/CLOSE the user confirms that the radial function works. Pressing STOP indicates the function does not work. Pressing PLAY proceeds to the next test, after a reset of the radial (nucleus BeRadialOff). If the user presses PLAY before pressing OPEN/CLOSE or STOP, the result of this test will be TRUE (radial successful).

5.7 Jump Test (Listening Test)

The sixth and last Basic Engine test tests the jumping by calling nuclei BeGroovesIn, BeGroovesMid and BeGroovesOut.

During this test, the local display looks as follows:

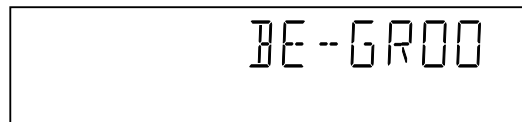


Fig. 28

The user can switch between the three different types of groove settings by pressing OPEN/CLOSE (forward to next nucleus in the list In-Mid-Out), or STOP (backward in the list In-Mid-Out). This is done in a cyclic manner; note

that this test will not contribute to the test result of the Basic Engine. Pressing PLAY proceeds to the next test, after the disc motor has been shut off with a call to nucleus BeDiscMotorOff.

5.8 Tray Test

As a last action for the Basic Engine tests, the tray test is repeated. The local display will look as follows:

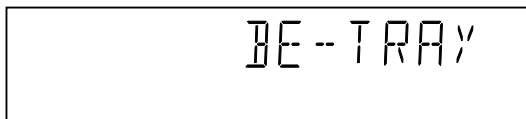


Fig. 29

This test is meant to give the user the opportunity to remove the disc in the tray. The tray position can be toggled using the OPEN/CLOSE key. The tray will be closed (by the software, if it is open) before proceeding to the next test when the user presses the PLAY key.

5.9 Error Log

Reading the error log and error bits information can be useful to determine any errors that occurred recently during normal operation of the DVD player. Reading the error log is done by nucleus LogReadErr.

The display during the errorlog readout looks as follows :

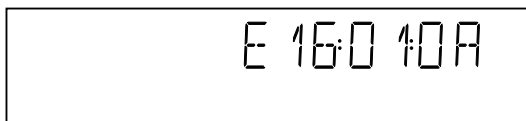


Fig. 30

Note: Previous versions of the diagnostic software showed a 8-digit error code.

Due to limitations in the number of digits that can be displayed by some front panel displays, the most significant digits will not be shown. This can be done since all the error codes used by this player has set these 2 digits to "00"

By pressing OPEN/CLOSE or STOP the user can move forward or backward (respectively) through the logged error codes. If "0000" is displayed at all positions, the error log is empty. Display of the logged errors is done in a cyclic manner.

By pressing PLAY on the local keyboard, the user can proceed to the next test.

5.10 Error Bits

Reading the error bits is done by nucleus LogReadBits. The display during the errorbits readout looks as follows:

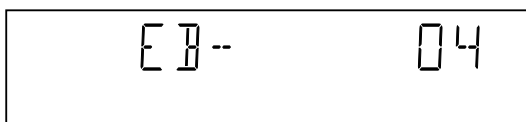


Fig. 31

Only the identification number (decimal) representing set errorbits will be shown. By pressing OPEN/CLOSE or STOP, the user can move forward or backward

(respectively) through the logged errorcodes. If the display only shows "EB-0", no error bits were set. By pressing PLAY the user can continue to the next test.

6. Loop Test (See Table Below)

At the start of the loop test, the local display of the DVD player will show the interactive player test result readout in the following display:

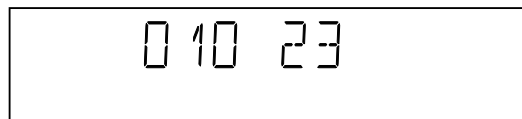


Fig. 32

The left side of the display contains a 3-digit code, which can have a value between 000 and 111. These values indicate the faulty modules and are to be interpreted as follows:

Displayed Value	Indication for each module		
	Basic Engine	Mono PCB	Display PCB
000	ok	ok	ok
001	ok	ok	faulty
010	ok	faulty	ok
011	ok	faulty	faulty
100	faulty	ok	ok
101	faulty	ok	faulty
110	faulty	faulty	ok
111	faulty	faulty	faulty

Fig. 33

The loop test will perform the same nuclei as the dealer test, but it will loop through the list of nuclei indefinitely. The display of the DVD player will display not only the three digits indicating correct/faulty modules and the last found error code (as mentioned, faults are detected as far as they can be within the scope of the diagnostic software), but also a loop counter indicating how many times the loop has been gone through. If an error was detected, the display will remain as in Fig. 34 until the user presses the PLAY key and then it will continue to the next loop.

Example:

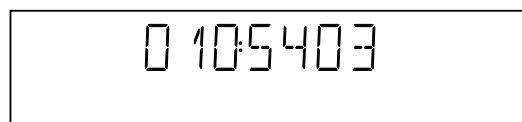


Fig. 34

The 2-digit number (23) on the right of Fig. 32 indicates the number of times the loop test has been performed.

After one loop cycle: Display the 3-digit module bits together with the last error code which occurred in the loop test. The 4 digits at the right side of the display (Fig. 34) show the last error that was found during the loop test. The leftmost two digits (54) of this code indicates which nucleus resulted in a fault. The rightmost two digits (03) refer to the faultcode within that nucleus. For further explanation of this error code, refer to chapter 8 (Nuclei Error Codes).

6.1 Errorlog

Explanation:

The application errors will be logged in the NVRAM. The maximum number of error bytes that will be visible is 16. The first word (4 digits) of the byte is the component identification, the last word is the error code.

The diagnostics software will present a combination of this component identification plus an error code on the local display (and on the attached terminal). The last reported error is shown as < 00000000, the oldest visible error as 00000000 > and the errors in between as < 00000000 >.

The devices that may report errors are the serial controller (UART), the basic engine (BE), the slave processor (SLPH), the SACD Stream Manager (SSM) and the SACD Media Access (SMA). The identification of these components is as follows:

Component name	Component identification
Serial controller (UART)	000A
Engine (BE)	0016
Slave Processor (SLPH)	001A
SACD Stream Manager (SSM)	001C
SACD Media Access (SMA)	002E
Diagnostic software (DS)	Dxxx

The tables in the next chapters list the error code and corresponding problem. The column 'Explanation' holds a more elaborate description and the most likely reason for the error.

Some Examples:

- 002E0000 (SMA reported a timeout error)
- 0016010A (Engine could not fully close or open the tray)
- D0010001 (Flash checksum failed).

For further explanation of DS errors, see description of nuclei error codes in paragraph 8.

UART Error Codes

Error Number	Error name	Explanation
0000	BUF_OVE RFLOW	To many characters were offered in too little time. Reason: system was too busy doing other jobs.
0001	COMMUNI CATION	Usually a protocol error. Reason: bad connection between engine and processor.
0002	TIME OUT	

BE Errors

Error Number	Error name	Explanation
0101	S2B_ILL_CO MMAND	Parameter(s) not valid for this command. Reason: some communication problem between UART and engine.
0102	S2B_ILL_PAR AM	Command not allowed in this state or unknown. Reason: see S2B_ILL_COMMAND error

Error Number	Error name	Explanation
0103	S2B_SLEDGE	Sledge could not be moved to home position.
0104	S2B_FOCUS	Focus failure
0105	S2B_MOTOR	Motor could not reach speed within timeout
0106	S2B_RADIAL	Servo didn't get on track after several retries.
0107	S2B_PLL_LO CK	PLL could not lock in Accessing or Tracking state
0108	SBC_HEADE R_TO	Header timeout
0109	S2B_SBC_NO T_FOUND	Requested subcode item could not be found.
010A	S2B_TRAY	Tray could not be opened or closed completely.
010B	S2B_TOC_RE AD	TOC could not be read within timeout period.
010C	S2B_JUMP	Requested seek could not be performed.
010D	S2B_NON_EX IST_SES	Attempt to access a non-existing session.
010E	S2B_NON_EX IST_BCA	Caller tries to acces a non-existing BCA area
010F	Speed setting	A wrong or inappropriate speed value has been set
0116	NO_DISC	No disc selected
011A	TRAY_INIT	After reset, initialized tray
011B	NO TOC INFO	No TOC information in lead-in area or erase TOC found
01F0	S2B_OVERR UN	Too many bytes received over S2B Reason: see S2B_ILL_COMMAND error
01F1	S2B_COMM_ TO	Not enough bytes are received over S2B Reason: see S2B_ILL_COMMAND error
01F2	S2B_PARITY	Byte received with parity error. Reason: see S2B_ILL_COMMAND error
01F3	S2B_ILL_PHA SE	CMD IDC is not valid, transmission out of sync. Reason: see S2B_ILL_COMMAND error
01F4	S2B_ILL_NR_ OF_BYTES	Byte count has an illegal value. Reason: see S2B_ILL_COMMAND error

SLPH Error Codes

Error Number	Error name	Explanation
0000	COMMUNICA TION	Error in I2C communication. Reason: bad connection between slave processor and main processor.

DVD-S530/DV-S5550

SSM Error Codes

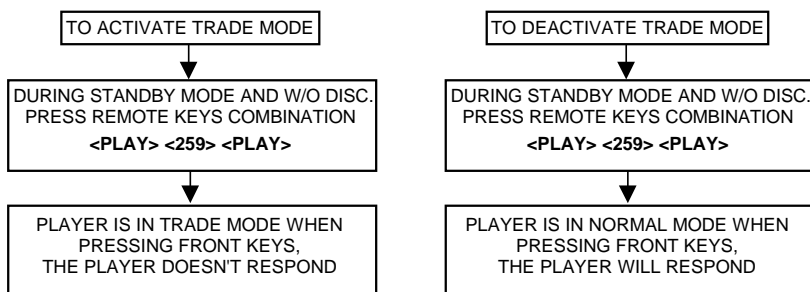
Error Code	Error name	Explanation
0006	SP_SYNCERROR	System cannot get synchronized with sectors coming from disc. Reason: Usually a damaged disc or the player was dropped/pushed during operation. If not, the engine is malfunctioning.
0007	SP_EDCERROR	Data coming from disc is damaged. Reason: see SP_SYNCERROR
0008	SP_CONTINUITYERROR	Sequence of sectors coming from disc is incorrect. Reason: see SP_SYNCERROR
0009	DMX_CONTINUITYERROR	Sequence of sectors is incorrect. Reason: problem with buffer RAM
000A	LLD_ERROR	An illegal audio format was offered to the decoder. Reason: unknown audio type on disc or problem with buffer RAM
000B	BCU_ERROR	Internal problem in Furoro chip

SMA Error Codes

Error Number	Error name	Explanation
0000	SMA_TIMEOUTERROR	Data coming from disc not in time. Reason: damaged disc or engine problem.

6.3 Trade Mode

When the player is in Trade Mode, the player cannot be controlled by means of the front key buttons, but only by means of the remote control.

**Fig. 35**

Note: To activate and deactivate the Trade Mode with the disc in the player, the procedure is similar to above, except that the remote control keys combination is pressed at the instant when the local display is flashing "READING"

TEST INSTRUCTION FRONT DISPLAY AND AUDIO/VIDEO BOARD

1. General

- All the waveforms measurement carried out in these test instruction will be based on the testpoint indicated in the A/V Board and Front Display schematic diagram in the Service manual.
- Impedance of the measuring-equipment should be > 1MΩ
- Most of the tests can be done using either the Diagnostic software “ Player script” which can be found in the chapter “Diagnostic Software description and troubleshooting” or the Menu interface using the Service PC with a terminal emulation program (e.g. Window Hyperterminal) where it is possible to control the execution of the Diagnostic Nuclei
- Setup for the measurement will be done in set level with all modules connected as shown in the Wiring Block diagram.

2. General Start-Up Measurement

Supply Check:

Before starting the measurement,ensure that all power supplies are connected to the A/V and Front Display board via conn.1101 and 1114/1133.

Pin nr.	A/V Board	Front Display
	Conn. 1101	Conn. 1114/1133
	Voltage	
1	+3V3STBY	+5VSTBY
2	+3V3STBY	+12VSTBY
3	GND	GND
4	+12VSTBY	-32V
5	GND	-
6	+5VSTBY	-
7	GND	-
8	-8V	-

Clock Check

Confirm the presence of the clock to the DAC and the slave μP.

Clock Name	Testpoint	Frequency
PCM_CLK	I173	11.2896MHz ± 0.02% tolerance
XOUT	S1	8MHz ± 0.2% tolerance

Audio Mute Check

Measure the Audio mute voltage input at pin 22 of connector 1100.

Status	Value
AudioMuteOn	HIGH (>3V)
AudioMuteOff	LOW (<3V)

To toggle between ON and OFF,use the following commands:

Ref.#	Command Name	Remarks
19a	AudioMuteOn	Audio Mute On
19b	AudioMuteOff	Audio Mute Off

3. Audio DAC And Amplifier

Ensure that the Audio mute signal is OFF

To check the DAC and buffer amplifier,send the following commands:

Ref.#	Command Name	Remarks	Audio output
21a	AudioSineOn	Audio Sine signal ON	Sine,1Khz on stereo
---	Press stop button	Audio Sine signal OFF	No waveform
20a	AudioPinkNoiseOn	Audio Pinknoise ON	Pink Noise on 6 channels
20b	AudioPinkNoiseOff	Audio Pinknoise OFF	No waveform

The audio signal (sine or pink noise) will also be present on the digital output (SPDIF).This can be checked by connecting the digital signal to an amplifier with a digital input.

Check the I2S and audio signal at the following testpoints:

Name	Testpoint
PCM_LRCLK	I172
PCM_SCLK	I175
PCM_CLK	I173
PCM_DATA0	I174
PCM_DATA1	NA
PCM_DATA2	NA
DIG_OUT	I235
AUDIO L/R OUT	I226 / I236
FRONT L/R OUT	NA
SURROUND L/R OUT	NA
CENTER OUT	NA
SUB WOOFER L/R OUT	I165

All waveforms can be refered to the A/V board schematic diagram.

4. Video Output And Buffer Amplifier

Check DC output-level at all video cinch output : 1.0V DC ±10%

Generate a color bar using the following software commands:

Ref.#	Command Name	Remarks
23a	VideoColDencOn	Color DENC ON
23b	VideoColDencOff	Colorbar DENC OFF

Check the video outputs at the following testpoints:

Name	Testpoint
BLUE	I123
GREEN	I124
RED	I125
CVBS out	I180 / I195 / I145
S-Video-C out	I122
S-Video-Y out	I121

If waveforms can be referred to the A/V board schematic diagram.

5. Play and 16/9 Detection

Check 0/6/12 signal on pin 8 of the SCART connector 1130 and change the input with the following commands:

Ref.#	Command Name	Remarks
25a	VideoScartLo	Sends out 0V \pm 0.5V
25b	VideoScartMi	Sends out 6V \pm 10%
25c	VideoScartHi	Sends out 12V \pm 10%

Since in SD4 based single SCART players, pin 8 output is determined by SCART0 and standby control signal. Since standby control must be LOW when diagnostic is running, we can only set pin 8 to 6V or 12 V.

6. Kill Circuit

To check the functionality of the Kill circuitry, the audio outputs has to be present by the following command:

Ref.#	Command Name	Remarks	Audio output
21a	AudioSineOn	Audio Sinewave ON	1kHz tone

Check the audio outputs at the audio cinch of the A/V board: 1kHz tone

Activate the Kill circuit by using the following command:

Ref.#	Command Name	Remarks
19a	AudioMuteOn	Audio Mute On

Check the audio outputs at the audio L/R cinch and SCART of the A/V board: No waveform

Switch off the kill circuit by using the following command:

Ref.#	Command Name	Remarks
19b	AudioMuteOff	Audio Mute Off

Check the audio outputs at the audio L/R cinch and SCART of the A/V board: 1kHz tone

7. Digital Silence

Digital silence is a signal from the audio DAC, KILL_LR, when there is no input to the audio DAC, or when the player is in STOP/PAUSE mode, or during disc changing track.

To check the KILL_LR signal, use the following command and check the voltage level at pin 16 of 7200:

Ref.#	Command Name	Remarks	KILL_LR signal
21a	AudioSineOn	Audio Sinewave ON	LOW (<0.3V)
---	Press STOP button	Audio Sine signal OFF	HIGH (>4.5V)

8. Front Display

To check the segment display of the FTD, the following command can be used. And for full detail description of the test, refer to the chapter of "Diagnostic Software Player Script" which can be found in chapter "Diagnostic Software Description and Troubleshooting"

Ref.#	Command Name	Remarks
30a	DispDisplay	Turn ON local display

9. IR Receiver

Check at pin 22 of 7101 and observe if this line switches from LOW (<0.3V) to HIGH (>4.5V) when pressing a key on a remote control.

CIRCUIT DESCRIPTIONS

1. Introduction
2. Power Supply
3. Control and Display
4. Audio/Video (A/V) and SCART
5. Loader/Mono Board

Notes:

- Figures can deviate slightly from the actual model.
- For a good understanding of the following circuit descriptions, please use the "BLOCK DIAGRAM" on page 51 and "SCHEMATIC DIAGRAMS" on page 70 – 84.

1. Introduction

Some of their features of this model are:

- MP3 playback.
- 3D Sound.
- Auto power off (after 15 min.).
- Built in MPEG2, MP3, and AC-3 decoder.
- CD-R(W) compatible.
- DVD+R(W) compatible.
- RGB video output on SCART.

Panel Overview

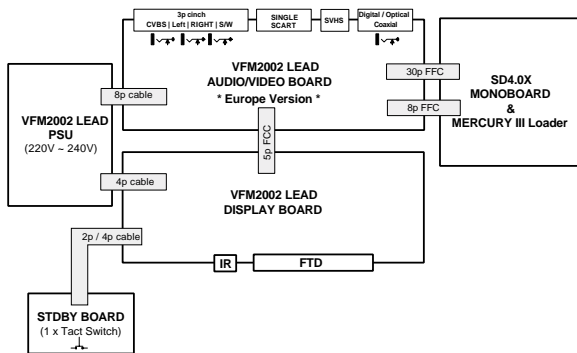


Fig. 1

2. Power Supply

2.1 Introduction

The supply is a Switching Mode Power Supply (SMPS), which uses the control IC TY720xx to produce pulses to drive the power 'switch' (MOSFET). The TY720xx (item 7130) is a high performance, current mode controller for DC-to-DC converter applications.

The operation frequency varies with the circuit load. When the output power demand decreases, the switching frequency raises, with a maximum frequency of 125 kHz (determined by C2107 at pin 5). At this point, the internal VCO takes over and starts to decrease the switching frequency.

This has some benefits compared to a 'fixed frequency' flyback converter. The efficiency is better, which results in a lower power consumption.

2.2 Output Voltages PSU Connection

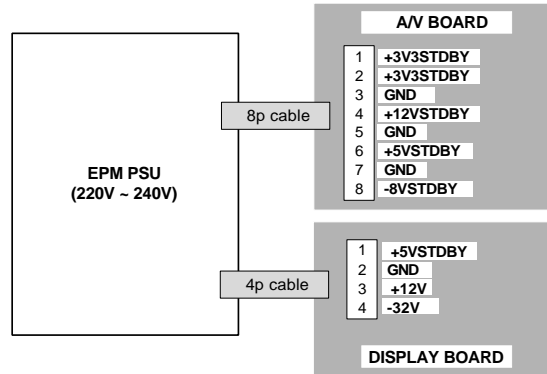


Fig. 2

The following voltages are connected to the A/V board and Front Display board via connectors 1101 and 1114 (1133) respectively:

- +12VSTBY, 470 mA.
- +5VSTBY, 400 mA.
- +3V3STBY, 1200 mA.
- -8V, 30 mA.
- -32V, 16 mA.

The +12VSTBY, on pin 4 of connector 1101, is further divided into the following voltage:

- +5V_DAC (via voltage regulator 7423), supply to audio DAC, and OpAmp filter.

The +5VSTBY, on pin 6 of connector 1101, is further divided into the following voltages:

- +5V, supply to SD4.0 mono board.
- +5VM, supply for analog circuitry.

The suffix 'STBY', indicates that the supply is not switched 'off' during Standby Mode. Power switching is done **on the A/V board** with the STBY_CTRL signal from the slave processor.

Power Switching

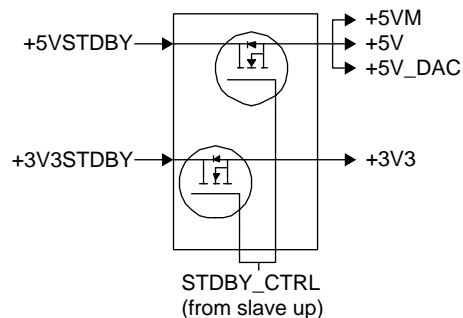


Fig. 3

The derived voltages +3V3, +5V, and +5V_DAC are switched 'off' during Standby Mode with a MOSFET (see items 7308, 7309, and 7506 on diagram A3).

DVD-S530/DV-S5550

The -8V is regulated to -5.5V via transistor 7304 and zenerdiode 6308, and is switched 'off', with transistor 7305, during Standby Mode.

The -32V is not switched 'off' during Standby Mode.

2.3 Operation

Mains Input Circuit

The bridge rectifier (D6110-D6113), direct after the mains filter 5115, rectifies the mains voltage, after which C2116 smooths it. The DC voltage across this capacitor is the DC input voltage (HV= approximately 300 V), to pin 9 of transformer T5190 and pin 1 of IC7130.

Start-up Circuitry

The rectified voltage from the bridge rectifier is connected to pin 1 via L5130. It will charge the VCC capacitor (C2131).

When this voltage, (at pin 13 of 7130), reaches the start-up threshold of min 15 V, the control circuit starts to operate.

After start-up, IC 7130 requires a sinking current, which the start-up circuitry cannot deliver. Therefore, a take-over circuitry (a coupled winding of transformer L5190) is present. The voltage here will take over the supply voltage at pin 13 of the IC.

If the take-over circuit does not function, the IC will switch 'off' again at the minimal operating voltage of +8 V. The whole operation cycle will repeat itself with audible hiccup sound if take-over is not present.

Secondary Voltage Sensing

The secondary voltage regulating circuit is comprised of opto-coupler 7190 (which isolates the error signal from the control IC on the primary side), and a reference component 7290 (TL431) with the following functions:

- A very stable and accurate reference diode.
- A high gain amplifier.

TL431

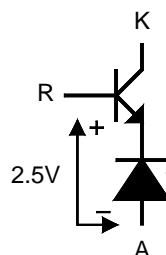


Fig. 4

When the output voltage increases (due to a reduction in the load), the voltage across R3290+R3291 increases to above the internal reference voltage of 2.5 V. Item 7290 will conduct and the current through the opto-coupler will increase. This results in an increase of the voltage at pin 4 of 7130, which will reduce the 'on' time of FET 7125. In the event of an output voltage decrease (due to an increase in the load), the control circuit will operate in the opposite way.

Primary Current Sensing

The current through FET 7125 will result in a voltage drop across R3120/21/22 (RSENSE). This line goes to pin 11 of 7130, which is the current sense input. The higher the input voltage, the more the primary current is limited. In this way, the maximum output power of the power supply is limited.

Under-voltage Protection

If the supply voltage at pin 13 drops below 7.2 V (typical), e.g. due to a shorted secondary voltage or excessive load, the drive pulse at pin 12 is disabled and the controller will switch 'off'.

Over-voltage Protection

An internal over-voltage protection circuitry continuously monitors the VCC pin. If, after start-up, this voltage exceeds 40 V, the internal latch circuit is triggered, the output buffer is disabled, and the SMPS goes into over-voltage protection.

Now a complete restart sequence is required.

Note: If the event of the over-voltage situation remains present, the SMPS will go in sequence of protection, start-up, protection and the cycle repeats. This effect is highly audible.

3. Control and Display

3.1 Control

The most important component on this board is the (slave) microprocessor (item 7113/7101). It runs on an 8MHz system clock generated by a ceramic resonator.

After the RESET pulse (active LOW), the STB_CTRL line (pin 21, item 7113/7101) will release the reset of the host uP (on the mono board) via the switched 3V3 supply (see circuit around item 7605 on mono board).

Other slave processor functions are:

- Generation of a scanning grid for the keys.
- Generation of the display grid and segment scanning.
- Generation of a square signal to generate the filament voltage for FTD display.
- Input for RC5/6 remote control protocol. The logic is HIGH > 4.5V and LOW < 0.3V.

Key Matrix

When a key on the local keyboard is pressed, the signal at the scanning pins of the microprocessor goes from +5V to 0V.

Circuit IR Receiver

The IR controller in the slave processor handles both RC5 and RC6 signals. The logic is +5V for 'high' and 0V for 'low'.

FTD Display

The slave uP drives the 11-segment FTD. It provides a negative DC switching drive voltage. As the display consists of eleven segments, there are eleven grid signals (G1-G11) controlling each respective grid.

The slave processor has an internal square signal generator (42 kHz), to generate the AC filament voltage. TS7105/7103 and 7106 amplify the square signal before it is applied to the display (VAC= VFIL_1 - VFIL_2, VRMS \approx 2.4V). The necessary power supply of -26V is derived (via zener diode 6101) from the -32V supply directly from the Switching Mode Power Supply (SMPS).

Slave Processor Interface

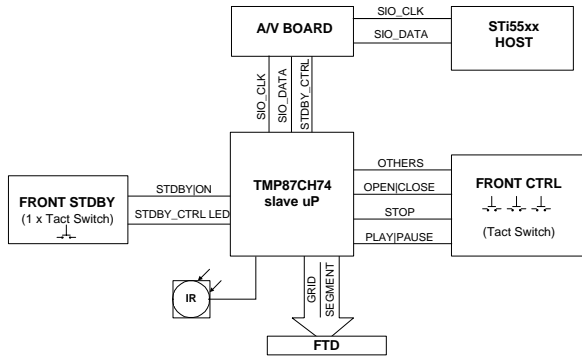


Fig. 5

The block diagram above, illustrates the interfaces of the slave uP. The start-up sequence is as follows:

1. The required IC voltage is the +5VSTBY, which is present during Standby Mode.
2. When the RESET circuit (7108/7102) is triggered by the +5VSTBY, the slave uP initializes.
3. This will set the STDBY_CTRL signal to LOW, which will switch on the +3V3 and +5V.
4. Once these voltages are provided, the host uP (on the SD4.0 mono board) will reset.
5. Now, the host uP will initialize, and command the slave uP to activate the Standby Mode (STBY_CTRL) signal.
6. The player wakes up from the Standby Mode when any button is pressed on the front panel, or when the 'Power' button is pressed on the Remote Control.

Note: The slave uP will not reset successfully if the 8MHz clock oscillator has not stabilized (check on pin 8 of item 7113/7101).

4. Audio/Video (A/V) and SCART

The video output from the STi55xx is RGB, YC and CVBS. These signals enter the A/V Board via connector 1100. All these analog video signals, from the SD4.0 Monoboard, first go through the transistor (item 7168, 7169, 7170, 7160, 7161, 7162, 7163, 7164, 7132) for impedance matching before going directly to the cinch, SVHS and SCART connector. However for double scart models, the RGB signals go directly to the SCART connector 1103. The '0/6/12' switch signal on pin 8 of the single SCART connector, depends on the logic state of two other signals: SCART0 from the μ P and STBY_CTRL from the slave μ P. This is done according to the following table:

Status Truth Table

SCART_0	STBY_CTRL	0 6 12	Function
0	0	12V	4:3 aspect ratio DVD
0	1	0V	TV display
1	0	6V	16:9 aspect ratio DVD
1	1	0V	TV display

Fig. 6

**4.1 Audio Path
Audio DAC circuitry**

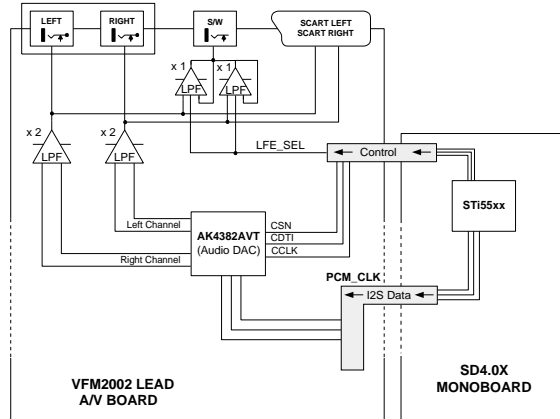


Fig. 7

The STi55xx supplies I2S data and PCM_CLK master clock to the new audio DAC (item 7200, AK4382AVT). The decoded analog output of both left and right channel is balanced. These are filtered (3-pole LPF) and amplified with OpAmp LM833 (item 7211). The gain of this OpAmp is two times.

There is only 2X two stereo output from the A/V Board, a subwoofer, and Digital audio out on coaxial and optical connector.

The audio DAC accepts only +5V inputs with +3V3 tolerance.

During STDBY mode, there will be no power to the audio DAC.

The registers of the audio DAC are in their default values each time the power to the IC is cut-off. The slave uP is required to program the DAC each time after exiting from STDBY mode.

This requires three signal lines.

- CSN - Chip Select Pin.
- CCLK - Control Clk Input Pin.
- CDTI - Control Data Input Pin in Serial Mode.

CCLK and CDTI are connected to P1 and P2 of host uP (via conn 1104) respectively for communication between the slave uP and STi55xx.

The host uP (STi55xx) will indicate the slave uP when to program the audio DAC after waking up from STDBY mode.

The audio MUTE signal depends on the logic state of two other signals:

- KILL: This signal comes from the host processor (STi55xx) and is meant to mute the outputs during switch on/off.

- **KILL_LR:** This is a signal from the audio DAC, when it receives no input for a certain time (8192 LRCK cycles). It can be tested in STOP, PAUSE and during track changes.

The logic level for the MUTE signal is $-3V < \text{LOW} < 0V$ and $0V < \text{HIGH} < +3V$.

Mute Truth Table

KILL	KILL_LR	MUTE	Function
0	0	0	Output is not muted.
0	1	1	Output is muted.
1	0	1	Output is muted.
1	1	1	Output is muted.

Fig. 8

5. Mono Board SD4.0 Block Diagram

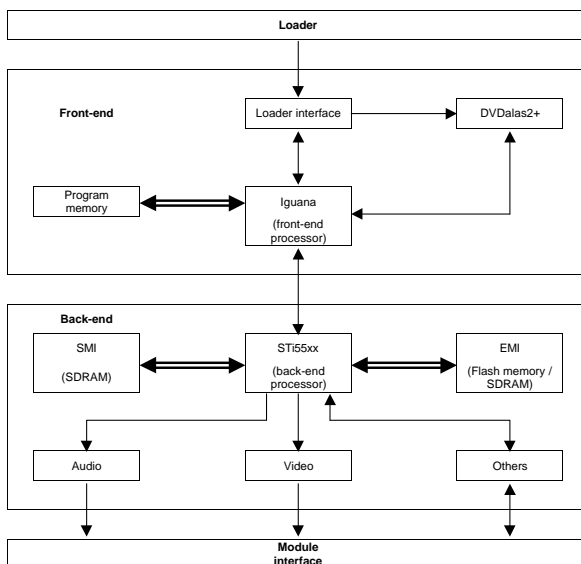


Fig. 9

5.1 Front-end: the Servo Part

The front-end consists of:

- The loader interface.
- The analog DVD signal processor and laser supply.
- DVD front-end processor.
- Program memory.

The Signal Processor TZA1033

The TZA1033 (or DVDALAS2plus) is an analog pre-processor and laser supply circuit. It contains data amplifiers and several options for radial tracking and focus control.

It is possible to optimise the dynamic range of this pre-amp/ processor combination for the LF servo and RF data paths. The gain in both channels is separately programmable. This will guarantee an optimal playability for all kind of discs.

Also, a dual laser supply is implemented, with fully automatic laser control including stabilization and an ON/OFF switch, plus a separate supply pin for power efficiency.

In the SD3.0 module, the servo signals were fed to the MACE2 servo processor, while the HF output signal was fed to the SAA7335 decoder. In the new SD4.0 module, these ICs are combined into one chip: the SAA7812 Iguana.

This chip contains the following blocks: channel decoder, block decoder, servo processor, and microcontroller.

The Servo Processor/Decoder SAA7812

The servo circuit in the SAA7812 (item 7200) takes care of the servo controls.

In a CD system, there are some 12 control loops active. About six of them are needed to adjust the servo error signals, that is once per disc rotation. It also adjusts offsets, signal amplitudes, and loop gains (AGCs), to enlarge system robustness and to avoid expensive potentiometer adjustments in production.

The other six loops determine the laser spot position on the disc in the radial, axial (focus), and tangential directions.

It also has to take care that the spot accesses a required position as fast as possible. This access system consists of two parts, namely the actuator and the sled, which are (within a certain range) mechanically and electrically independent.

Therefore, during an access, the servo has to control as well the actuator as the sled.

The analog signals, from the diode pre-processor, are converted into a digital representation using A/D converters.

For the communication between the host processor (STi5580) and the servo processor, the S2B bus is used. This bus supports full-duplex asynchronous communication.

The SAA7812 is also a combined CD/DVD compatible decoding device. The device operates with built in hardware for CD/DVD error correction and de-interleaving operations. It decodes EFM or EFM+HF signals directly from the laser pre-amplifier, including analog front-end, PLL data recovery, demodulation, and error correction.

Its analog front-end input (the channel decoder), converts the HF input signal to the digital domain via an 8-bit ADC, preceded by an AGC circuit to obtain the optimum performance from the converter. An external resonator clocks this block.

This subsystem recovers the data from the channel stream. It corrects asymmetry, performs noise filtering and equalization, and finally recovers the bit clock and data from the channel using a digital PLL.

The demodulator part detects the frame synchronization signals and decodes the EFM (14 bit) and EFM+ (16 bit) data and sub-code words into 8-bit symbols. Via the serial output interface, the I 2 S data (audio and video) go to the DVD decoder STi5580.

The spindle-motor interface provides both motor control signals from the demodulator and, in addition, contains a tachometer loop that accepts tachometer pulses from the motor unit. They drive the motor IC (BA6665FM, item 7301).

The SAA7812 has two independent microcontroller interfaces.

The first is a serial I²C-bus and the second is a standard 8-bit multiplexed parallel interface. Both of these interfaces provide access to 32 8-bit registers for control and status.

5.2 Interface

The interface between front-end (SAA7812) and back-end (Sti55xx) is via:

- I2S bus (BCLK, DATA, WCLK, FLAG, SYNC and V4).
- S2B bus (RXD_S2B, TXD_S2B, CPR_S2B and SUR_S2B).
- Miscellaneous I/O ports (RSTNF= front-end reset, EANF= front-end processor boot select).

Note: These lines contain series resistors (47 or 100 Ω) for easy hardware debugging, and for EMC/noise reduction of the high-speed I2S lines.

The front-end processor SAA7812 (Iguana) has two boot modes: normal boot from flash memory, or serial mode.

The boot selection is via the EANF pin. The Iguana samples the EANF signal level once during boot-up. Once boot-up is completed, this pin is no longer used for this purpose.

However, in the SD4.0 circuit, the EANF is also connected to the flash memory. Therefore, when this pin is LOW, the lower 1Mbits of the memory is accessible. Conversely, when this pin is HIGH, the upper 1Mbits is accessible.

Under front-end normal operation, the program memory (less than 1Mbits in size) should reside in the lower bank. Therefore, the EANF pin should be LOW at all times. Since the actual flash memory used is 2Mbits, the upper 1Mbits is unused. This area is reserved for possible use by the front-end self-diagnostic software, or flash download application.

5.3 Back-End: the Digital Part

The back-end consists of:

- DVD back-end processor.
- External memory.
- Audio output.
- Video output.
- Miscellaneous.

DVD Back-End Processor

The SD4.0 is designed for the Sti55xx family. Some of the DVD related features of these ICs are:

Processor Overview

Function	STi5580	STi5588	STi5519
Basic CD/VCDDVD decoding	X	X	X
Extra 2-channel of I2S output (PCMDATA3)	X	X	
Karaoke	X	X	
DTS	X	X	
Audio post processing (equalizer, level meter, etc)		X	
DVD audio		X	
Progressive scan at analog video output		X	

Fig. 10

The Sti5580 has the same architecture as the Sti5508 (used in earlier DVD generations), and is pin-to-pin compatible.

It works on 3.3 V (VDD), and comprises the following functions:

- Video decoder which supports MPEG1 and MPEG2
- Audio decoder which supports AC-3, MPEG1, MPEG2, DTS, PCM, S/PDIF, MP3.
- PAL/NTSC video encoder with simultaneously Y/C, CVBS and RGB/YUV outputs
- The video encoder supports Closed Caption and allows MacroVision 7.0/6.1
- Full screen On Screen Display (OSD) generator
- Three on-chip PLLs to generate all necessary clocks (as reference the 27 MHz video clock is used).

Input

Input data comes from the I2S-bus. The front-end interface of this device, accepts DVD, CD and CD-DA information.

Signal Processing

For video, the input data stream is decoded to the appropriate MPEG, Sub Picture, and OSD data streams, after which they are fed to the PAL/NTSC encoder. This cell will convert the digital MPEG/Sub Picture/OSD stream into a standard base band signal and into RGB components. It handles interlaced and non-interlaced data, can perform CC/TXT encoding, and allows MacroVision copy protection.

For audio, the processing cell is a fully compatible DTS, Dolby Digital (AC-3), MPEG1, MPEG2, and PCM decoder, capable of decoding 5.1 and 2 channel streams.

Output

For video, six analog output pins are available on which CVBS, S-VHS (Y/C), and RGB/YUV signals are present. They go directly to output connector 1701.

DVD-S530/DV-S5550

External Memory

The STi55xx family is capable of accessing external memory via three buses:

- **The enhanced memory interface (EMI).** This interface is configurable and can be used to access Flash, ROM, and various types of DRAM. The EMI is connected to:
 - Flash/ROM in Bank 3 (item 7410 and 7401 optional). This memory holds the DVD firmware, and is controlled by pin 186 (FLASH_OE) of the STi5580. It must be able to perform a download (by disk or DCU) in a Flash-only system.
 - SDRAM in Bank 0 (item 7402, optional). A 64Mbits (4M x 16bits) 7.5ns SDRAM can be connected to the EMI when the module is used as a Software Development Module (SDM).
- **The shared memory interface (SMI).** The SMI is only capable of accessing SDRAM. The SMI is connected to a 64Mbits (4M x 16bit) 7.5ns SDRAM (item 7500). There is no longer the option to use two pieces of 16Mbits SDRAM. The SDRAM has the following functions:
 - It is used by the MPEG video decoder as a frame buffer.
 - It holds the software and the variables used by it.
- The I2C bus. Via this bus, the NVRAM (or EEPROM) is accessible. This memory is used to store user settings, player settings, and region code.

Audio Output

The audio interfaces available in SD4.0 are I2S and S/PDIF for digital audio output, and I2S karaoke microphone input.

I2S audio

The STi55xx is capable of 6-channel I2S output. These channels can be configured to output 5.1 Dolby Digital, DTS, etc.

- PCM_OUT0: left and right.
- PCM_OUT1: center and LFE.
- PCM_OUT2: left and right surround.

Two additional channels (available in STi5580 and STi5588) are capable of providing down-mixed stereo.

S/PDIF

The S/PDIF signal level (item 7600, pin 57, SPDIF_OUT) is 5V TTL at module interface. To meet the complete S/PDIF specifications, an external de-coupling circuit (item 7716, diagram M7) is implemented.

Video Output

Analog video

The STi55xx is capable of 6-channel analogue video. Three channels (pins 25, 26 and 27) are RGB or YUV format, while the other three channels (pins 32, 33 and 34) are Y, C, and CVBS.

A new video output buffer (see diagram M7, e.g. item 7707 for R) is implemented: an 8MHz/16MHz selectable filter stage and a 75 Ω drive stage.

Miscellaneous I/O Signals

Most general IO ports are connected directly to the module interface.

SCART

The SCART0 and SCART1 signals are now directly available at the module interface.

Mute

The MUTE signal is now directly available at the module interface.

Service

Service Port Buffer

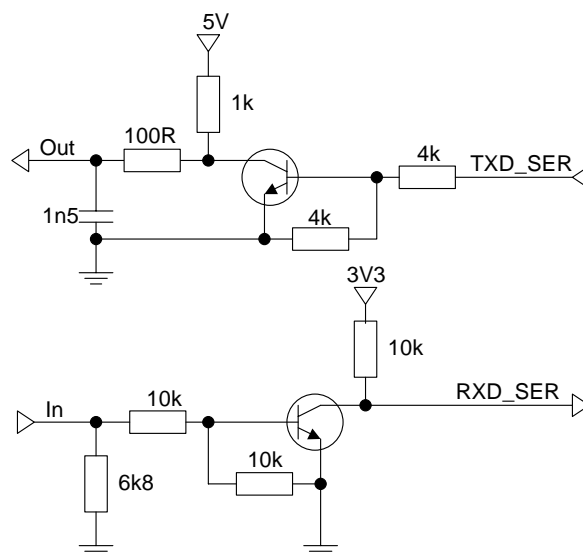


Fig. 11

Buffers

The signal levels at the module interface are 3.3V only.

Note: Care must be taken that the external circuitry does not force any IO line from the module to more than 3.8V.

External DAC

An external audio DAC from AKM (AK4382) is used.

Serial Bus Voltage Translator

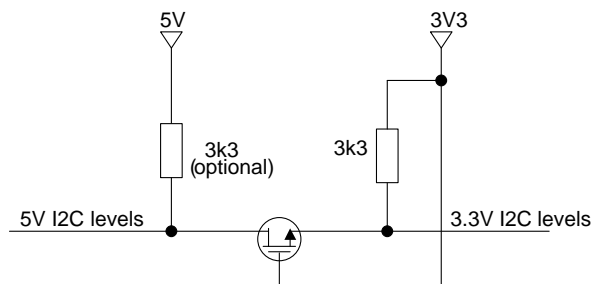


Fig. 11

Since the 5V in the module is turned 'off' during the DVD player's standby mode, the pull-up to 5V on the module is not used. Instead, pull-up resistors to a +5V standby voltage are added outside the module.

5.4 Power Supply (Diagram M7)
SD4.0 Power Supply Block Diagram

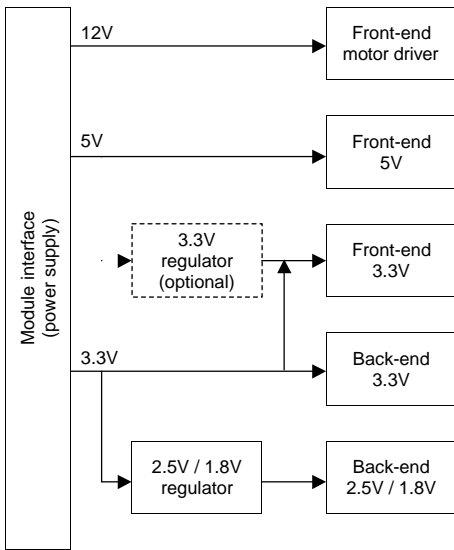


Fig. 12

The main power supplies to the module are 3.3V, 5V, and 12V (input via connector 1701).

The back-end section mainly uses the 3.3V. On-board linear regulators are used to generate the 2.5V or 1.8V required by the STi55xx.

The front-end section mainly uses the 5V and 12V. An optional on-board linear regulator can be used to generate the 3.3V required by the front-end. The motor and servo drivers use the 12V.

5.5 Top Side Connectors

All mono board interfaces are located on the topside of the board, as shown below:

SD4.0 Connections

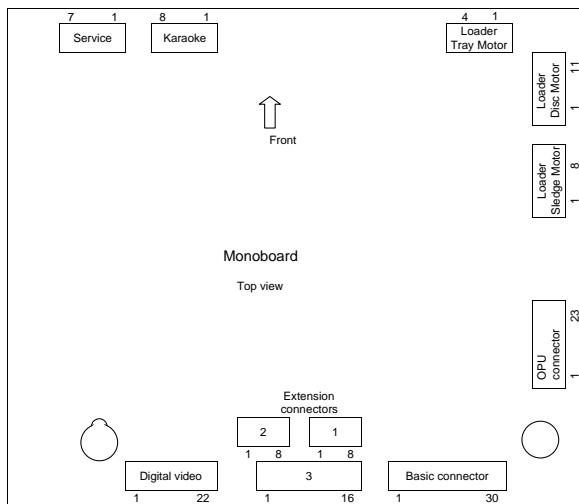


Fig. 13

DVD-S530/DV-S5550

■ ABBREVIATION LIST

ADC	Analog to Digital Converter	SCL	Serial Clock I2C
AM	Amplitude Modulation	SCLK	Audio serial bit clock
BE	Basic Engine	SDA	Serial Data I2C
ComPair	Computer aided rePair	SDRAM	Synchronous DRAM
CD-DA	CD Digital Audio	S/PDIF	Sony Philips Digital InterFace
CS	Chip Select	SRAM	Static RAM
DAC	Digital to Analog Converter	STBY	Standby
DAIO	Digital Audio Input Output	SVCD	Super Video CD
DENC	Digital Encoder	SW	Software
DFU	Direction For Use: description for the end user	THD	Total Harmonic Distortion
DNR	Dynamic Noise Reduction	TTL	Transistor-to-Transistor Logic (5V logic)
DRAM	Dynamic RAM	uP	Microprocessor
DSD	Direct Stream Digital	VCD	Video CD
DSP	Digital Signal Processing	Y/C	Luminance (Y) and Chrominance (C) signal
DTS	Digital Theatre Sound	YUV	Component video
DVD	Digital Versatile Disc		
EEPROM	Electrically Erasable and Programmable Read Only Memory		
EFM	Eight to Fourteen bit Modulation		
EMI	External Memory Interface (STI55xx)		
FFC	Flat Foil Cable		
FLASH	Flash memory		
HPF	High Pass Filter		
HW	Hardware		
I2C	Integrated IC bus (signals at 5V level)		
I2S	Integrated IC Sound bus (signals at 3.3V level)		
IC	Integrated Circuit		
IF	Intermediate Frequency		
IRQ	Interrupt Request		
LLD	Loss Less Decoder		
LPCM	Linear Pulse Code Modulation		
LRCLK	Left/Right clock		
LVTTL	Low Voltage Transistor-to-Transistor Logic (3.3V logic)		
MACE	Mini All Compact Disc Engine		
MPEG	Motion Pictures Experts Group		
NC	Not Connected		
NVM	Non Volatile Memory: IC containing TV related data e.g. alignments		
OC	Open Circuit		
OPU	Optical Pick-up Unit		
PCB	Printed Circuit Board (see PWB)		
PCM	Pulse Code Modulation		
PCM_CLK	Audio system clock for DAC		
PCM_OUTx	Audio serial output data		
PSU	Power Supply Unit		
PWB	Printed Wiring Board (see PCB)		
RAM	Random Access Memory		
RGB	Red, Green and Blue color space		
ROM	Read Only Memory		
S2B	Serial to Basic Engine, communication bus between host- and servo processor		

■ TECHNICAL SPECIFICATIONS OF DVD MODULE

Connections

1. Connector 1701: Basic Connector

1. I2CSCL/SIOCLK
2. I2CSDA/SIODATA
3. SCART1
4. SCART0
5. AGND
6. B_VID(U)
7. AGND
8. G_VID(Y)
9. AGND
10. R_VID(V)
11. AGND
12. Y_VID
13. AGND
14. C_VID
15. AGND
16. CVS_VID
17. +3V3
18. +3V3
19. +5V
20. +12V
21. +12V
22. MUTE
23. GND
24. PCMSCLK
25. PCMDATA0
26. GND
27. PCMCLK
28. PCMLRCLK
29. GND
30. SPDIFOUT

2. Connector 1702: Extension Connector 1.

1. GND
2. P6
3. P7
4. GND
5. PCMDATA3
6. PCMDATA2
7. GND
8. PCMDATA1

3. Connector 1705: Extension Connector 2.

1. P0
2. P1 / I2CSCL
3. GND
4. P2 / I2CSDA
5. P3
6. GND
7. P4
8. P5

4. Connector 1703: Digital Video Connector.

1. GND
2. YC0
3. GND
4. YC1
5. GND
6. YC2
7. GND
8. YC3
9. GND
10. YC4
11. GND
12. YC5
13. GND
14. YC6
15. GND
16. YC7
17. GND
18. HSYNC
19. GND
20. VSYNC
21. GND
22. 27MHZ CLOCK SIGNAL

5. Connector 1501: Service Connector.

1. TXD_SER
2. SERVICE
3. RXD_SER
4. RTS_SER (not used)
5. GND
6. CTS_SER (not used)
7. +5V_SER

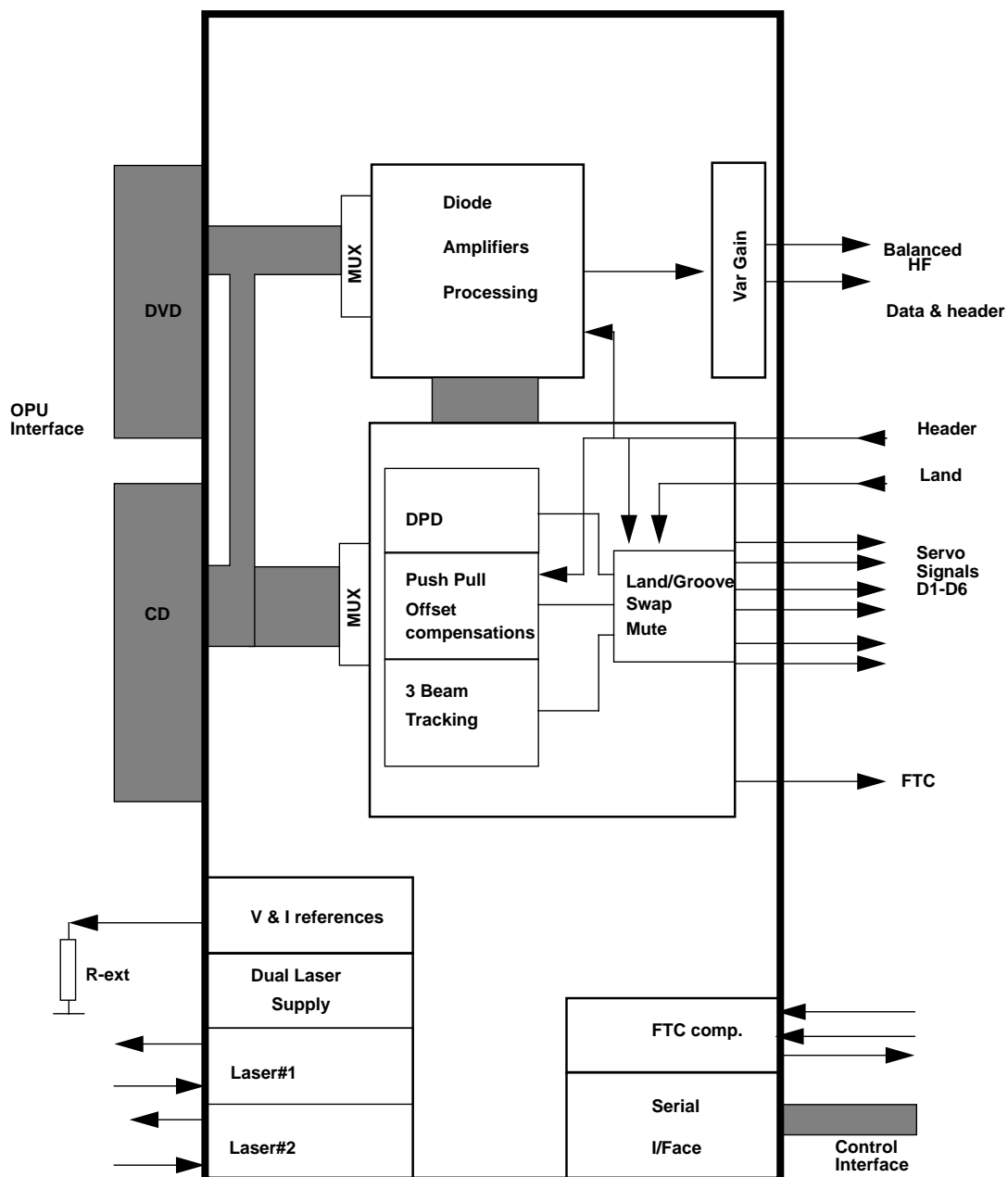
1.1.6 Connector 1704: Karaoke Connector.

1. KOKSCLK
2. +12V
3. KOKLRCLK
4. GND
5. KOKDATA
6. GND
7. KOKPCMCLK
8. KOKVOCDT

IC DESCRIPTIONS

TZA1033

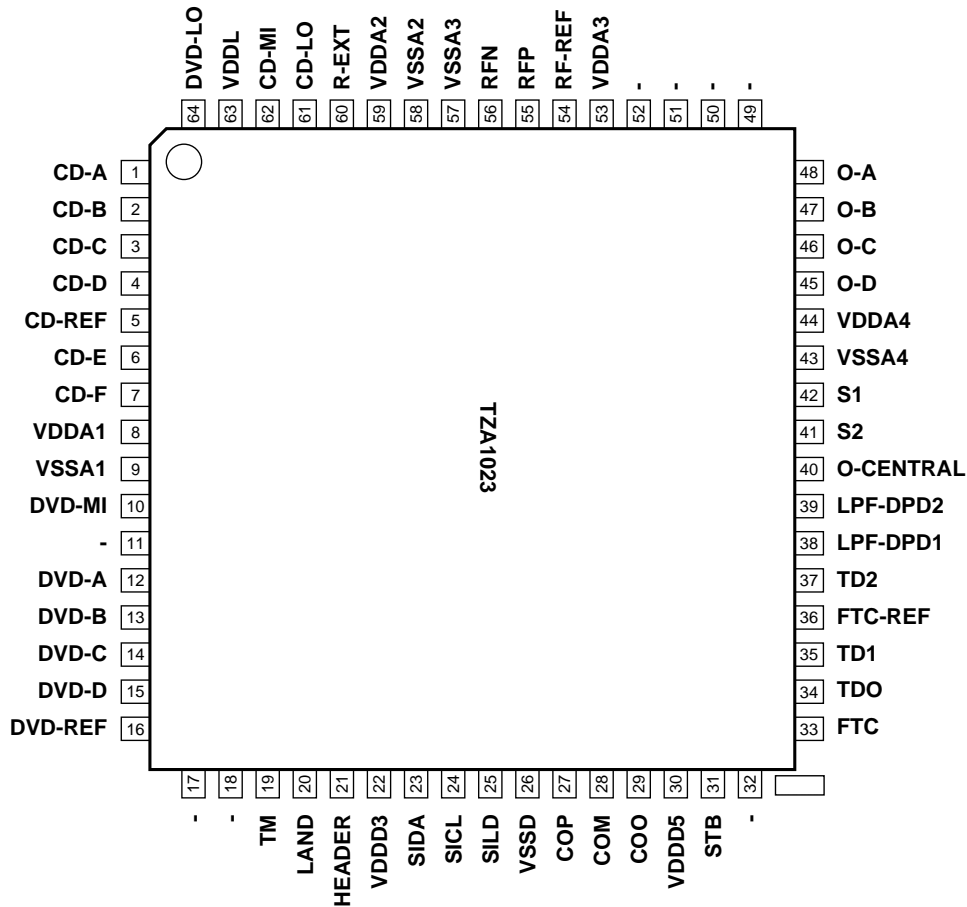
DVDALAS2plus Advanced Analog DVD Signal Processor and Laser Supply



DVD-S530/DV-S5550

TZA1033

DVDALAS2plus Advanced Analog DVD Signal Processor and Laser Supply



Pin description

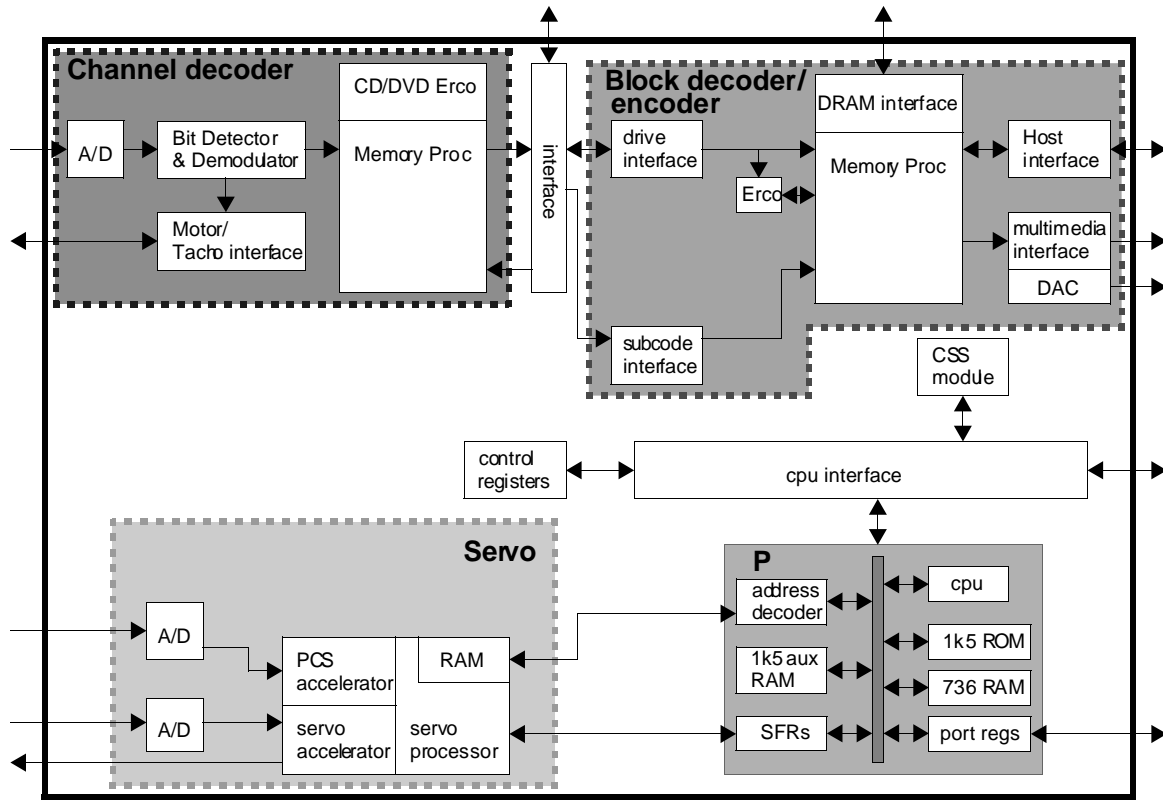
Name	Pin	Description
CD-A	1	CD pick up input A
CD-B	2	CD pick up input B
CD-C	3	CD pick up input C
CD-D	4	CD pick up input D
CD-REF	5	CD pick up reference voltage
CD-E	6	CD pick up input E
CD-F	7	CD pick up input F
DVD-A	12	DVD pick up input A
DVD-B	13	DVD pick up input B
DVD-C	14	DVD pick up input C
DVD-D	15	DVD pick up input D
DVD-ref	16	DVD pick up reference voltage
O-A	48	Servo current output for Focus-A
O-B	47	Servo current output for Focus-B
O-C	46	Servo current output for Focus-C
O-D	45	Servo current output for Focus-D

TZA1033**DVDALAS2plus Advanced Analog DVD Signal Processor and Laser Supply**

Name	Pin	Description
O-central	40	Test pin for offset cancelation
TD2	37	Internally connected
FTC-ref	36	Servo output voltage reference input
S1	42	Servo current output for radial tracking
S2	41	Servo current output for radial tracking
TD1	35	Internally connected
FTC	33	Fast track count voltage output
RFP	55	pos. RF output signal
RFN	56	neg. RF output signal
RF-REF	54	DC Reference signal input RF
LPF-DPD1	38	DPD Low pass bandwidth capacitor, channel pos
LPF-DPD2	39	DPD Low pass bandwidth capacitor, channel neg
Land	20	Land/groove toggle input
HEADER	21	Header detector window input
CD-MI	62	CD laser monitor input
DVD-MI	10	DVD laser monitor input
CD-LO	61	CD laser output
DVD-LO	64	DVD laser output
COP	27	Positive input FTC comparator
COM	28	Inverting input FTC comparator
COO	29	FTC comparator output
SIDA	23	Serial host interface data input
SICL	24	Serial host interface clock input
SILD	25	Serial host interface load
VDDA1	8	Analog Supply voltage 1 (RF input)
VDDA2	59	Analog Supply voltage 2 (RF internal)
VDDA3	53	Analog Supply voltage 3 (RF output stage)
VDDA4	44	Analog Supply voltage 4 (Servo)
VDDD5	30	Digital Supply voltage (5V dig core)
VDDD3	22	Digital Supply voltage (3V I/O pads and FTC comp.)
VDDL	63	Supply voltage for laser
VSSA1	9	Analog Ground 1
VSSA2	58	Analog Ground 2
VSSA3	57	Analog Ground 3
VSSA4	43	Analog Ground 4
VSSD	26	Digital ground
R-EXT	60	Reference current input (Connect 12k1 to VSSA4)
STB	31	Standby input
TM	19	Test mode input
TDO	34	Test data out

SAA7812HL

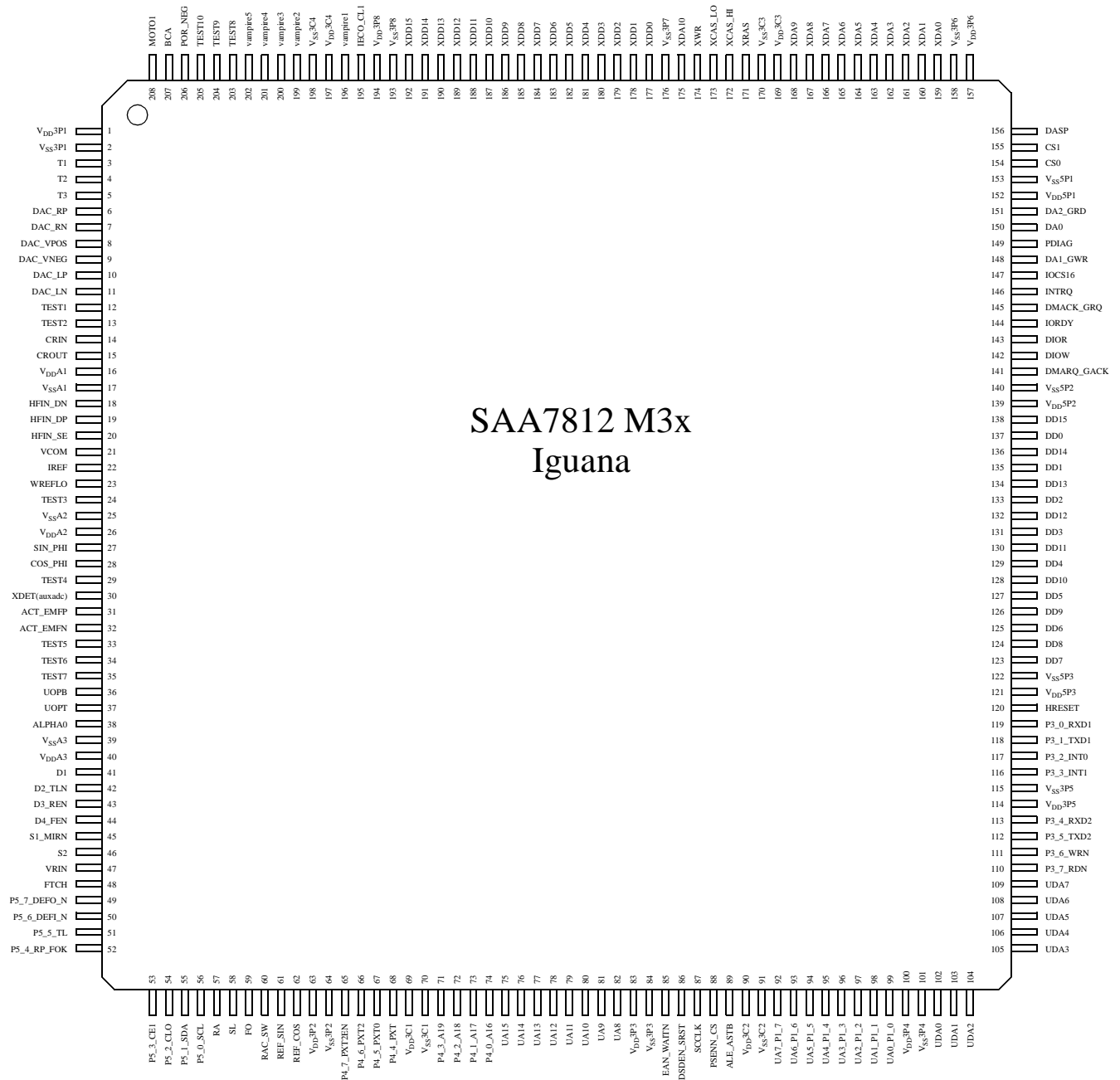
Front-end Processor



DVD-S530/DV-S5550

SAA7812HL

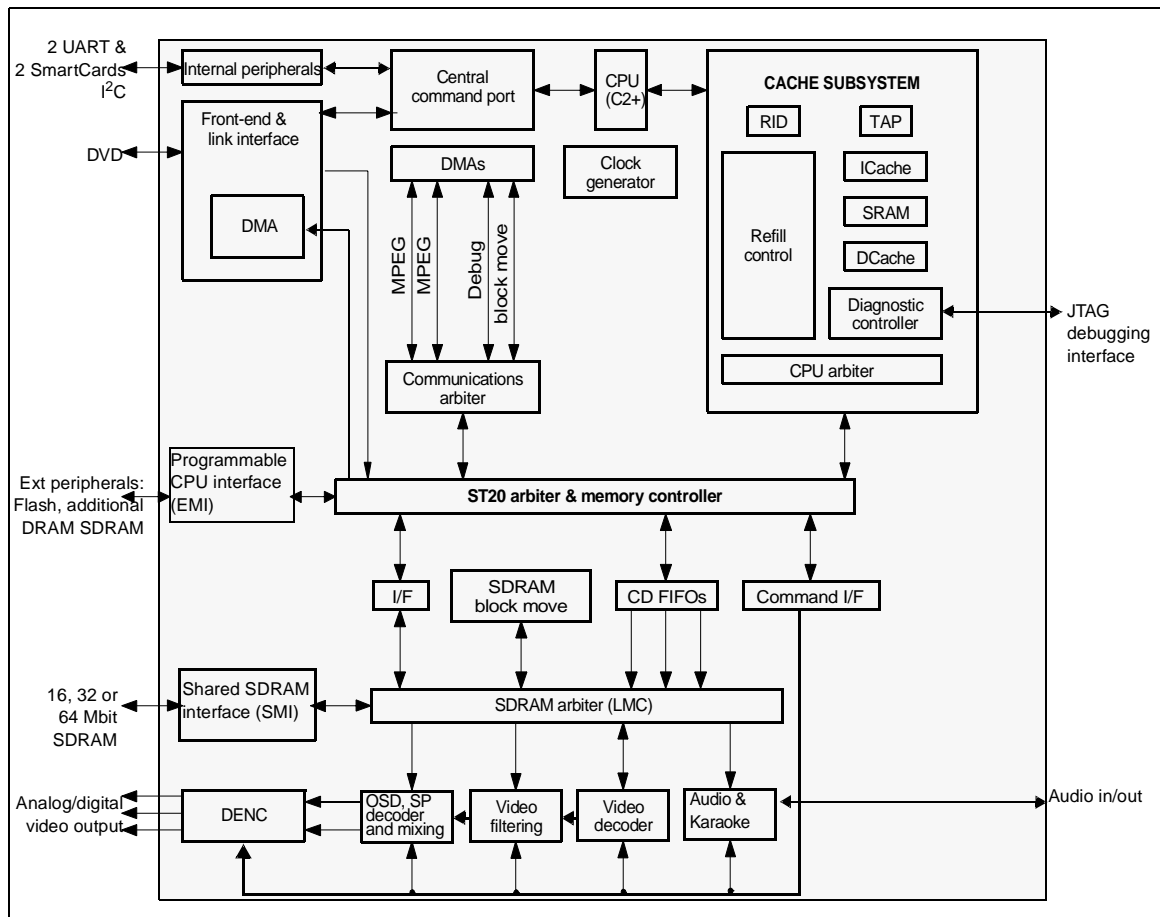
Front-end Processor



DVD-S530/DV-S5550

STI5519

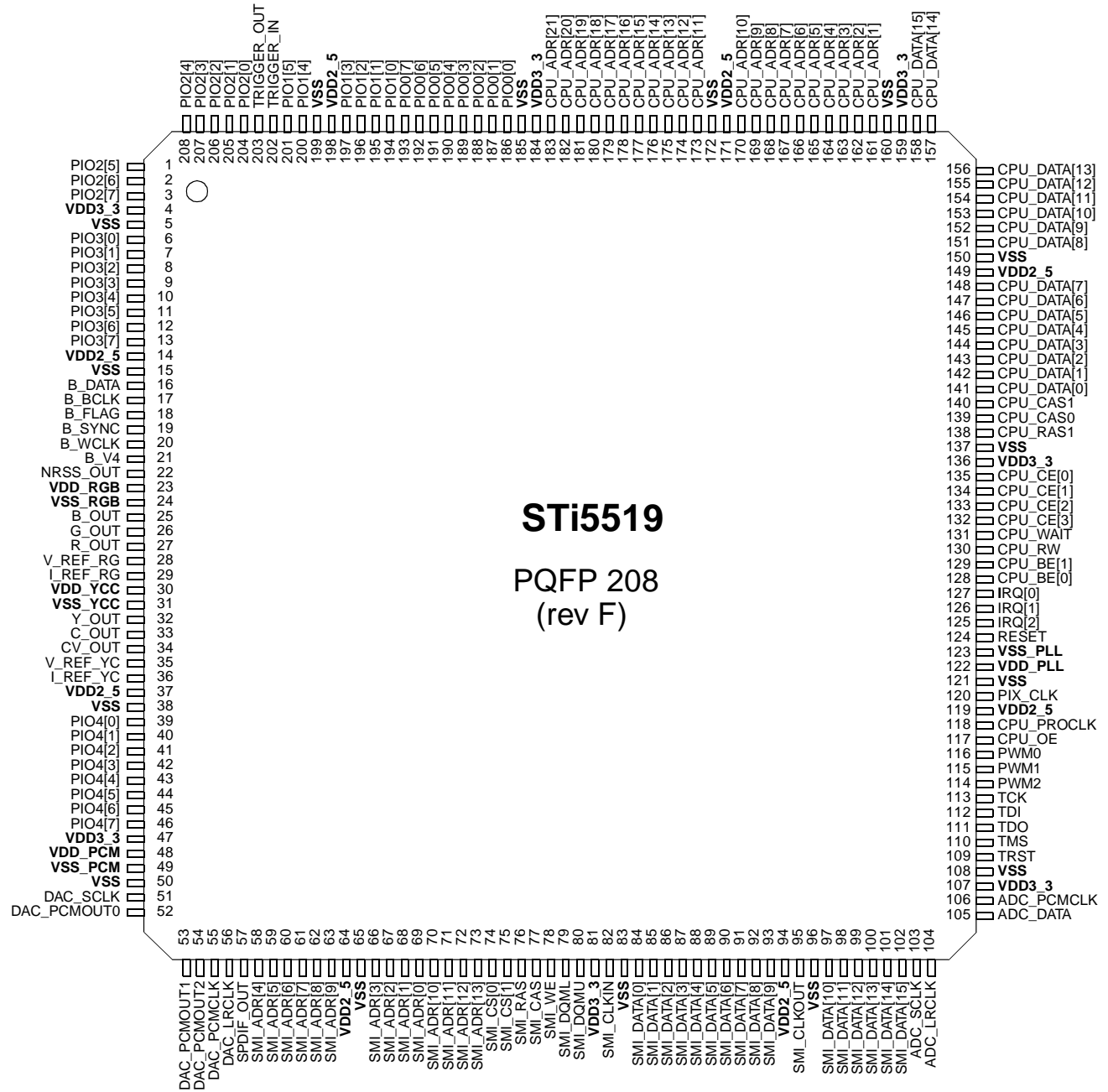
Back end Host Processor



DVD-S530/DV-S5550

STI5519

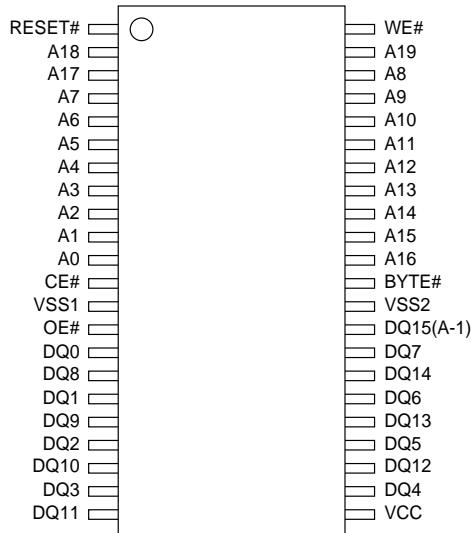
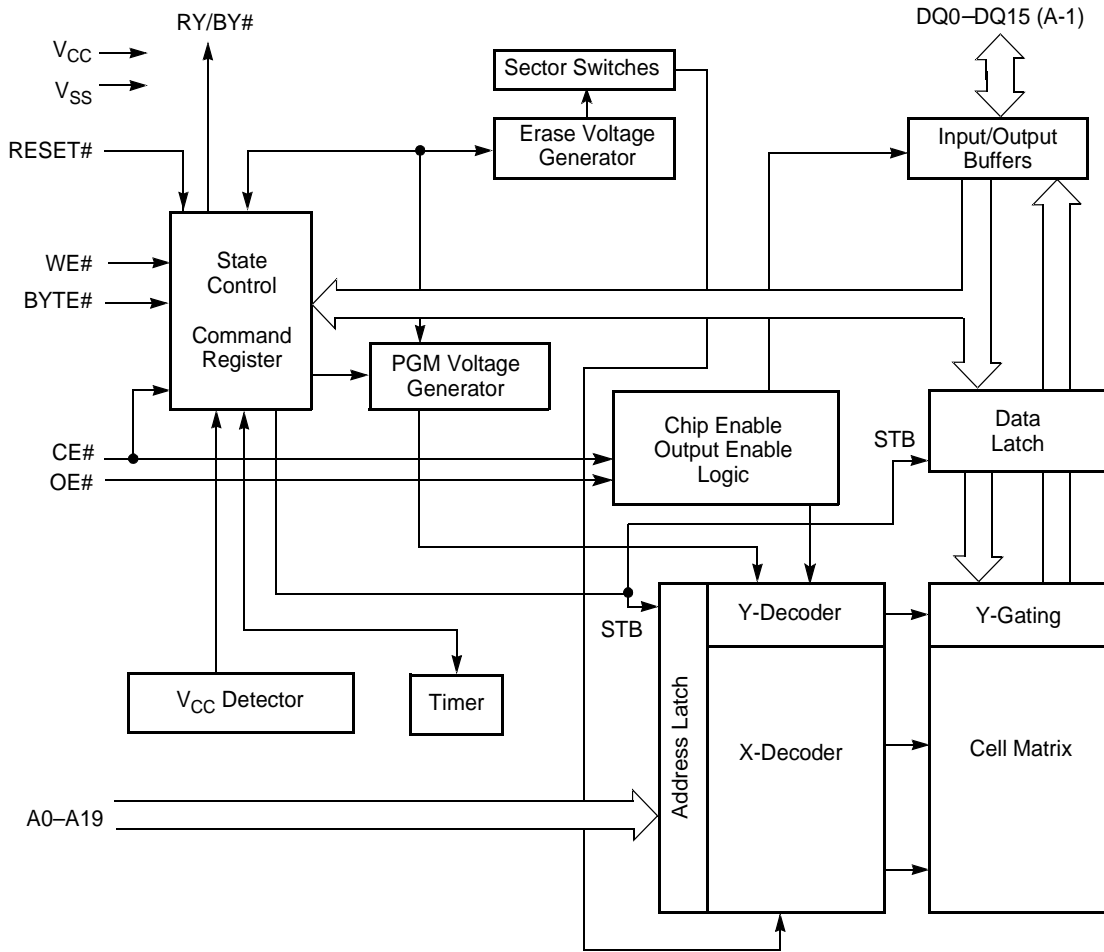
Back end Host Processor



DVD-S530/DV-S5550

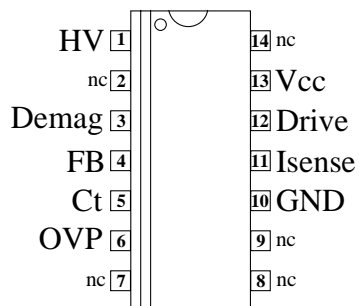
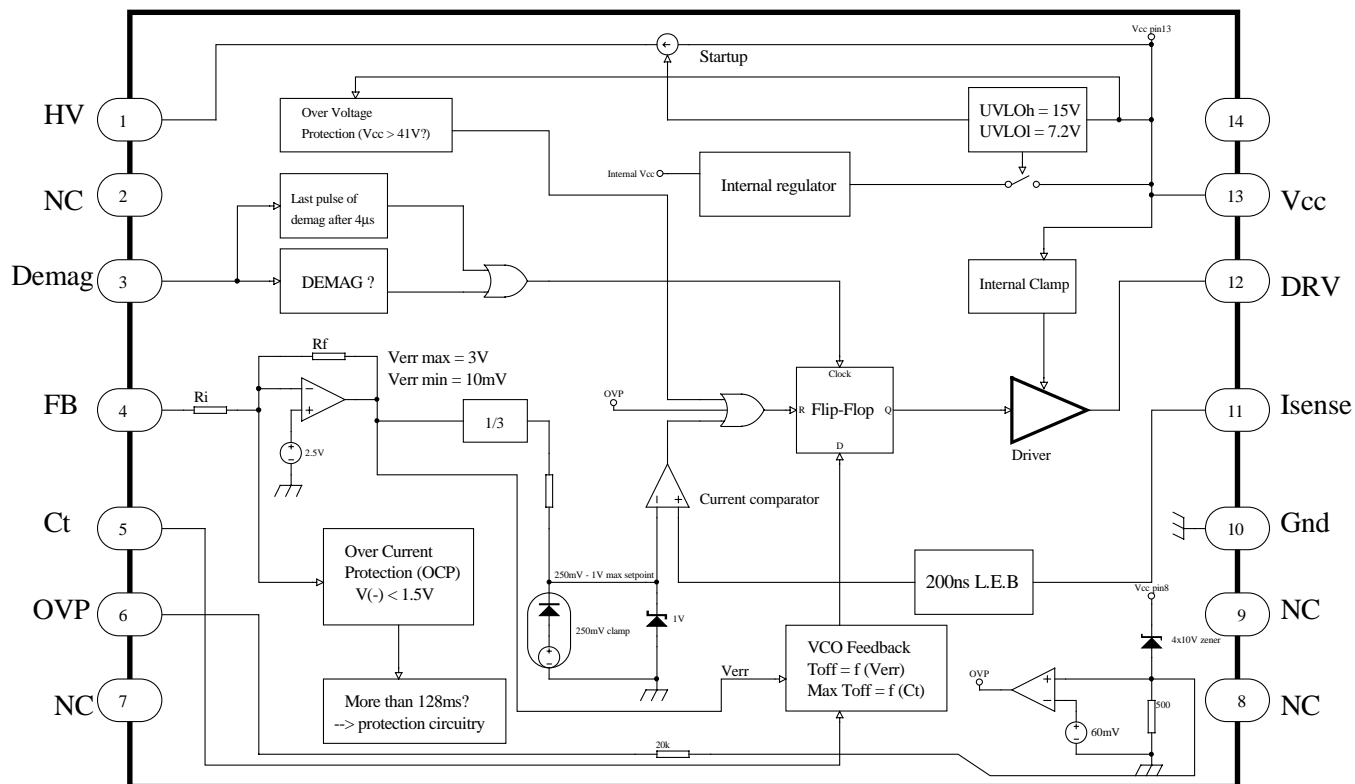
Am29LV160BT

16 MB (2 M x 8-bit / 1 M x 16-bit) CMOS 3.0 Volt-only Sector Erase Flash Memory



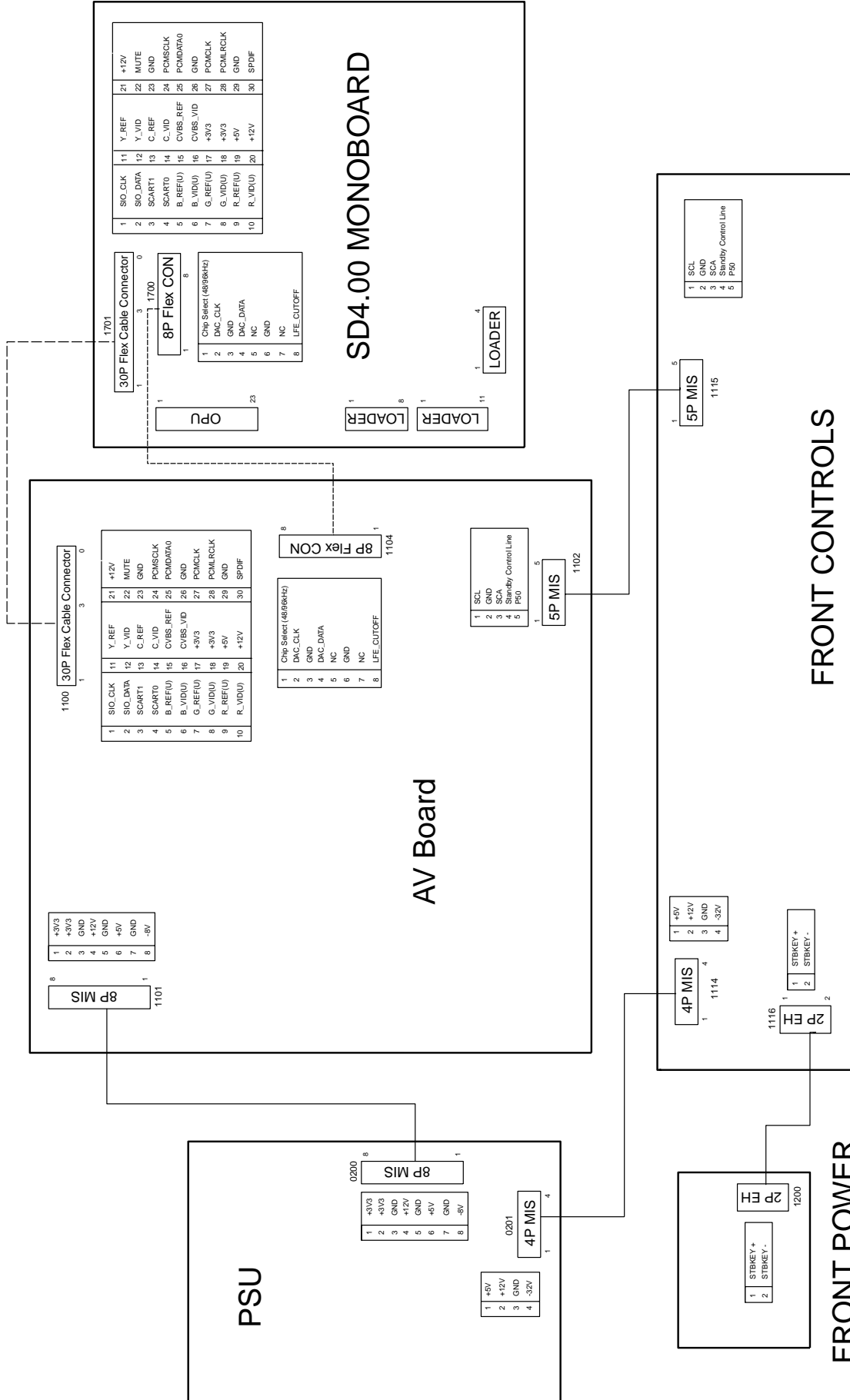
DVD-S530/DV-S5550

TY72011P2
Power Supply



DVD-S530/DV-S5550

WIRING DIAGRAM

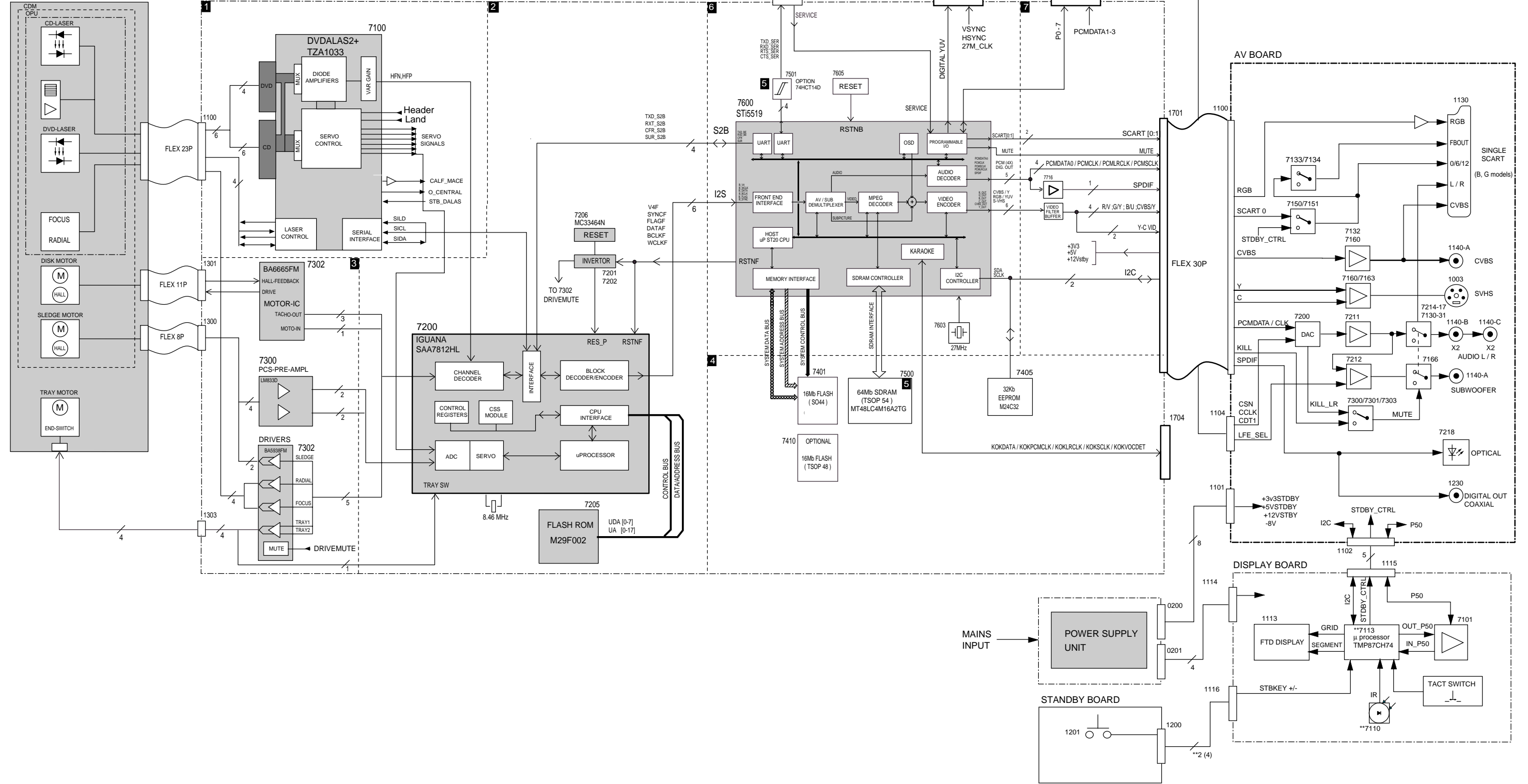


DVD-S530/DV-S5550

BLOCK DIAGRAM

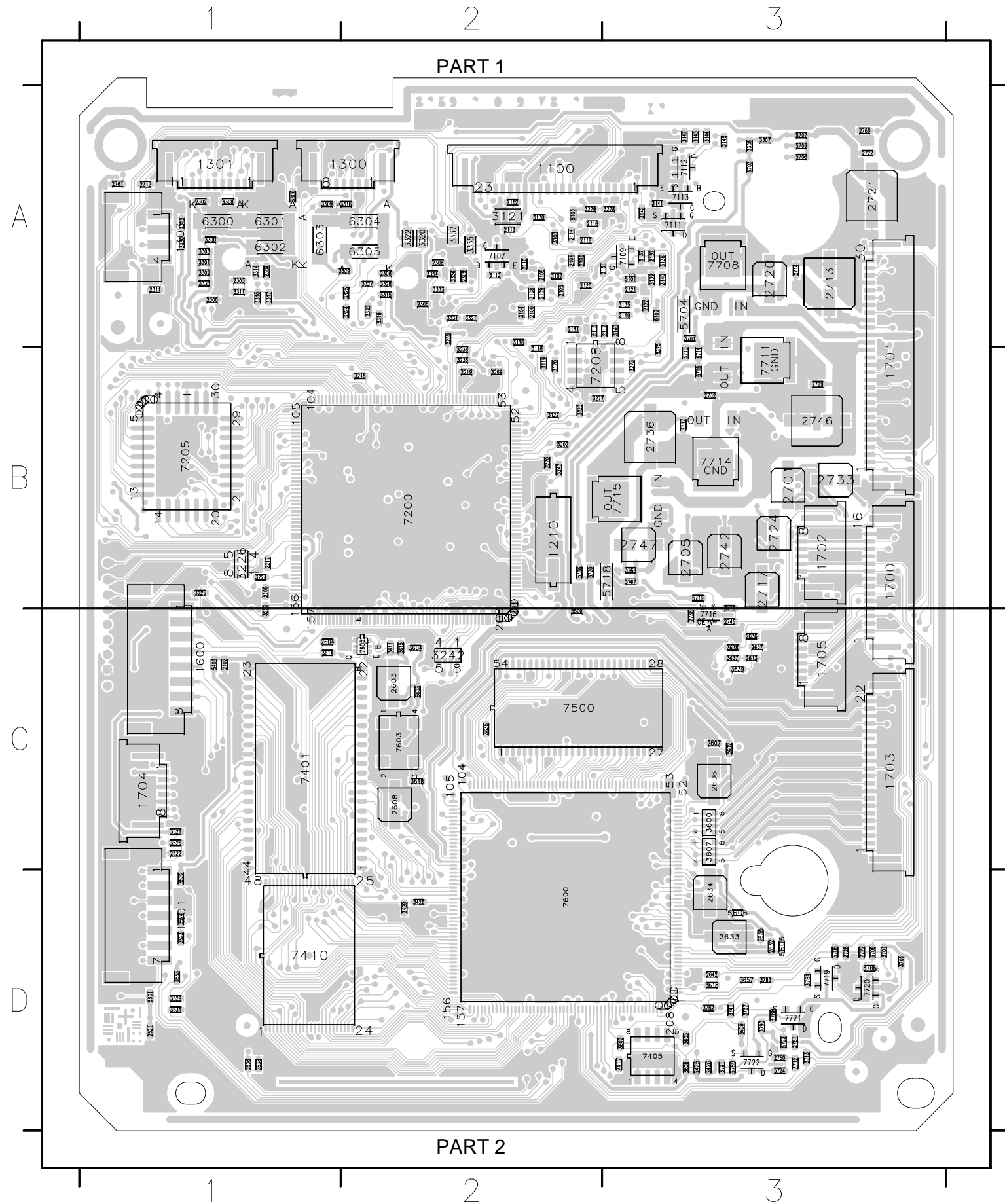
DVD MECHANISM
MERCURY 3 LOADER

MONO BOARD



■ PRINTED CIRCUIT BOARD

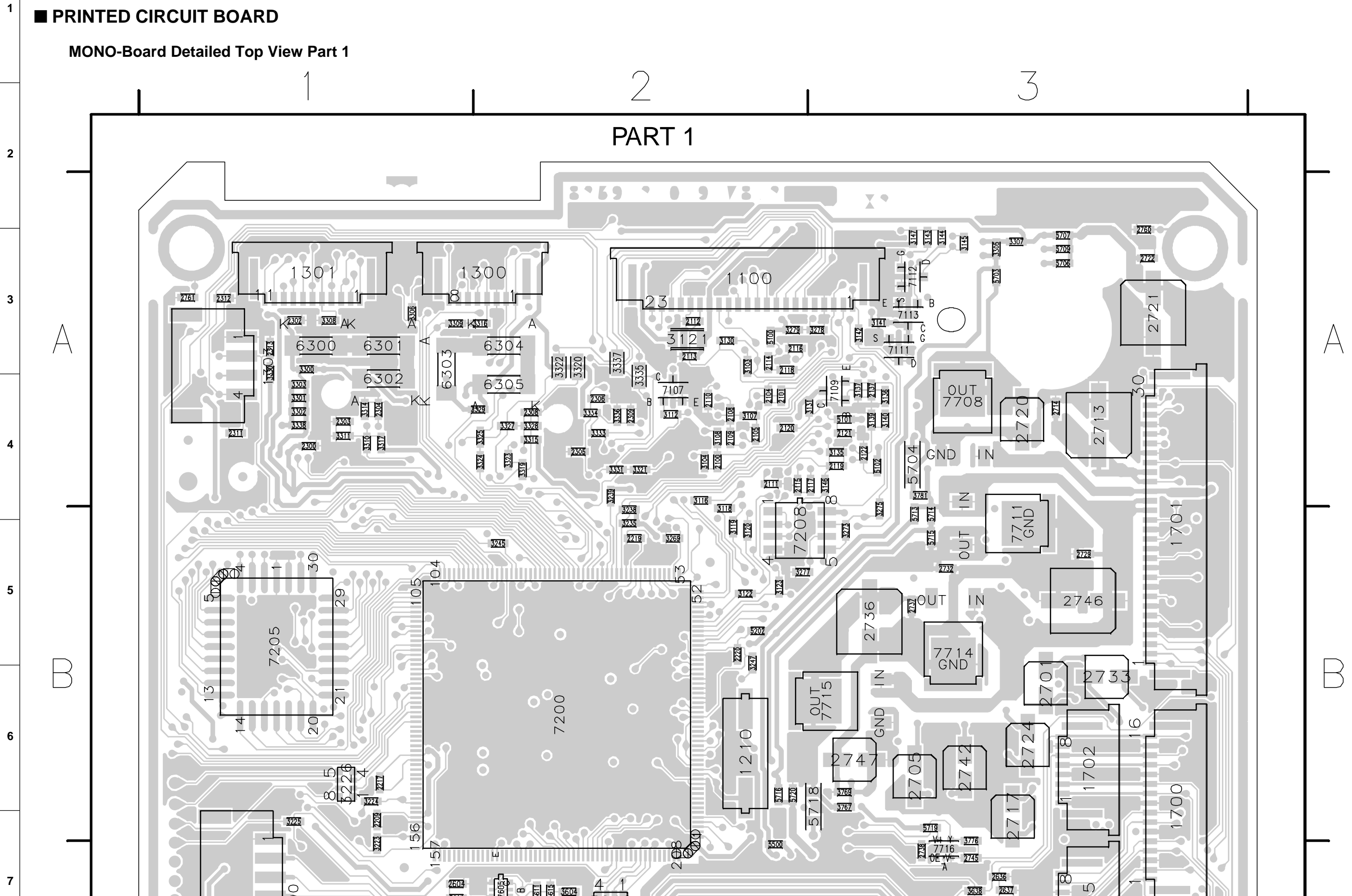
MONO-Board Top View (Overview)



1100 A2	2720 A3	3309 A1	3788 D3
1210 B2	2721 A3	3310 A1	3789 D3
1300 A2	2722 A3	3311 A1	3790 D3
1301 A1	2724 B3	3314 A1	3791 D3
1303 A1	2727 D3	3315 A2	5100 A2
1501 D1	2728 D3	3316 A2	5101 A3
1600 C1	2729 B3	3317 A1	5102 A3
1700 B3	2732 B3	3319 A2	5202 B2
1701 B3	2733 B3	3320 A2	5401 C1
1702 B3	2736 B3	3321 A2	5500 C2
1703 C3	2737 B3	3322 A2	5501 D1
1704 C1	2738 C3	3323 A2	5602 C3
1705 C3	2742 B3	3324 A2	5603 C2
2100 A2	2745 C3	3325 A2	5605 D3
2101 A2	2746 B3	3327 A2	5606 D3
2104 A2	2747 B3	3328 A2	5703 A3
2105 A2	2750 D3	3329 A2	5704 A3
2108 A2	2751 D3	3330 A1	5705 D3
2109 A2	2760 A3	3331 A2	5706 A3
2110 A2	2761 A1	3333 A2	5707 A3
2111 A2	3103 A2	3334 A2	5708 D3
2112 A2	3104 A2	3335 A2	5709 A3
2113 A2	3107 A2	3336 A2	5713 B3
2114 A2	3108 A2	3337 A2	5714 B3
2115 A2	3112 A2	3338 A1	5715 B3
2116 A2	3116 A2	3425 D3	5716 B2
2117 A3	3118 B2	3426 D3	5718 B3
2118 A2	3119 B2	3428 D2	5719 B3
2119 A3	3120 B2	3429 D2	5720 B2
2120 A2	3121 A2	3521 C1	5723 D3
2121 A3	3122 B2	3522 D1	5724 D3
2122 A3	3123 B2	3523 D1	6300 A1
2137 A3	3130 A2	3524 D1	6301 A1
2209 B1	3131 A3	3526 C1	6302 A1
2217 B1	3135 A3	3529 D1	6303 A1
2219 B2	3136 A3	3531 D1	6304 A2
2220 B2	3137 A3	3533 D1	6305 A2
2300 A1	3139 A3	3536 D1	7107 A2
2302 A1	3140 A3	3538 D1	7109 A3
2303 A1	3141 A3	3600 C3	7111 A3
2304 A1	3142 A3	3602 D3	7112 A3
2305 A2	3143 A3	3603 D3	7113 A3
2306 A2	3144 A3	3604 C2	7200 B2
2308 A2	3145 A3	3607 C3	7205 B1
2309 A2	3146 A3	3608 D3	7208 B2
2311 A1	3147 A3	3609 D3	7401 C1
2312 A1	3223 C1	3611 C2	7405 D3
2313 A1	3224 B1	3614 C1	7410 D1
2402 C1	3225 B1	3615 C2	7500 C2
2417 D3	3226 B1	3618 D3	7600 D2
2521 D1	3235 B2	3635 C2	7603 C2
2522 C1	3238 B2	3637 C3	7605 C2
2603 C2	3239 A2	3638 C3	7708 A3
2604 C1	3242 C2	3639 C3	7711 B3
2606 C3	3245 B2	3648 C2	7714 B3
2607 C3	3247 B2	3657 D3	7715 B3
2608 C2	3269 B2	3701 D3	7716 C3
2613 C3	3273 B3	3705 D3	7719 D3
2632 D3	3275 B3	3712 D3	7720 D3
2633 D3	3277 B2	3713 D3	7721 D3
2634 D3	3278 A3	3737 D3	7722 D3
2635 D3	3279 A2	3741 D3	
2636 C3	3300 A1	3767 B3	
2637 C3	3301 A1	3769 B3	
2642 D3	3302 A1	3776 C3	
2701 B3	3303 A1	3781 A3	
2705 B3	3305 A3	3782 D3	
2713 A3	3306 A1	3783 D3	
2714 A3	3307 A3	3784 D3	
2717 B3	3308 A1	3785 D3	

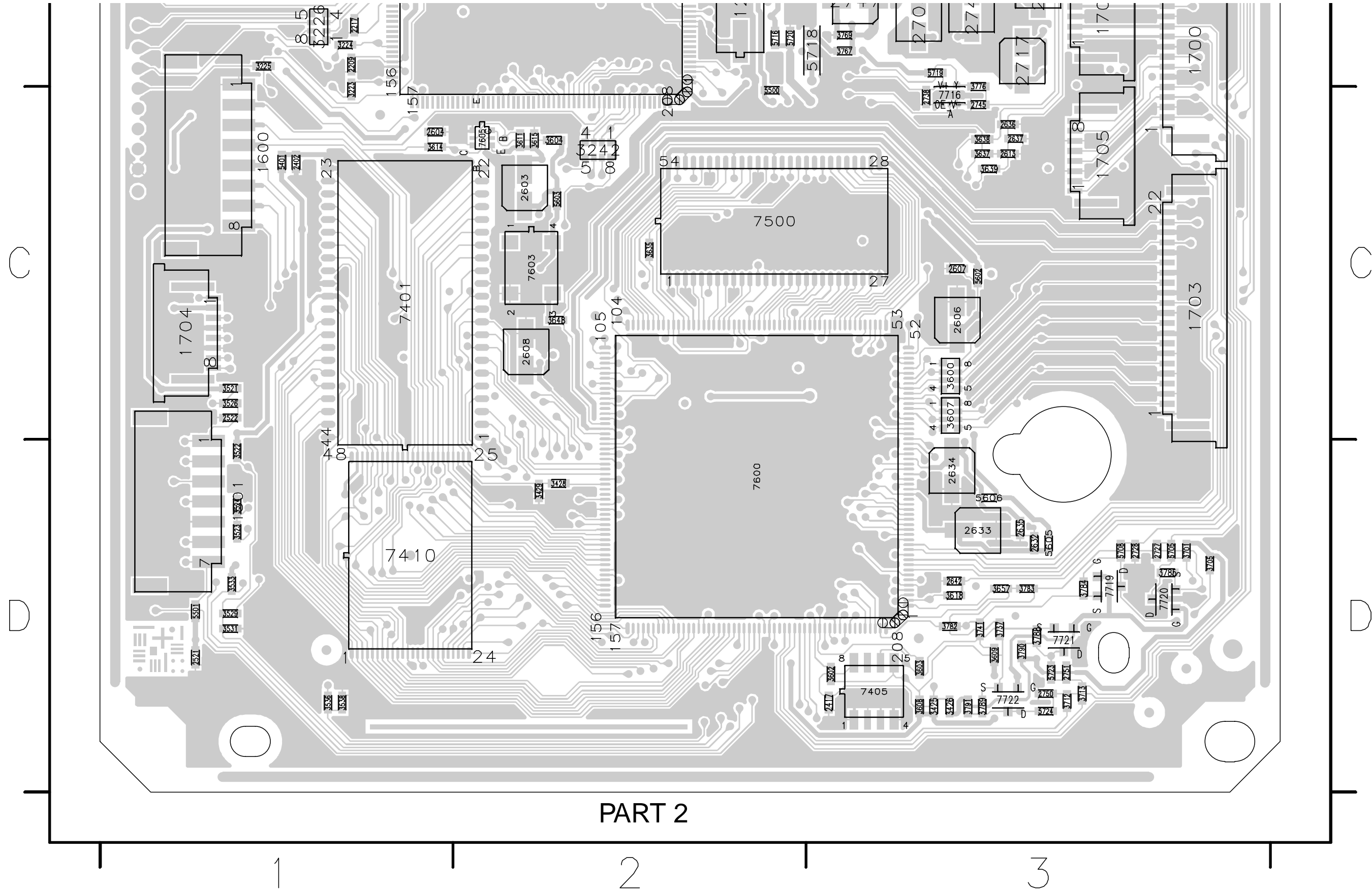
■ PRINTED CIRCUIT BOARD

MONO-Board Detailed Top View Part 1



■ PRINTED CIRCUIT BOARD

MONO-Board Detailed Top View Part 2

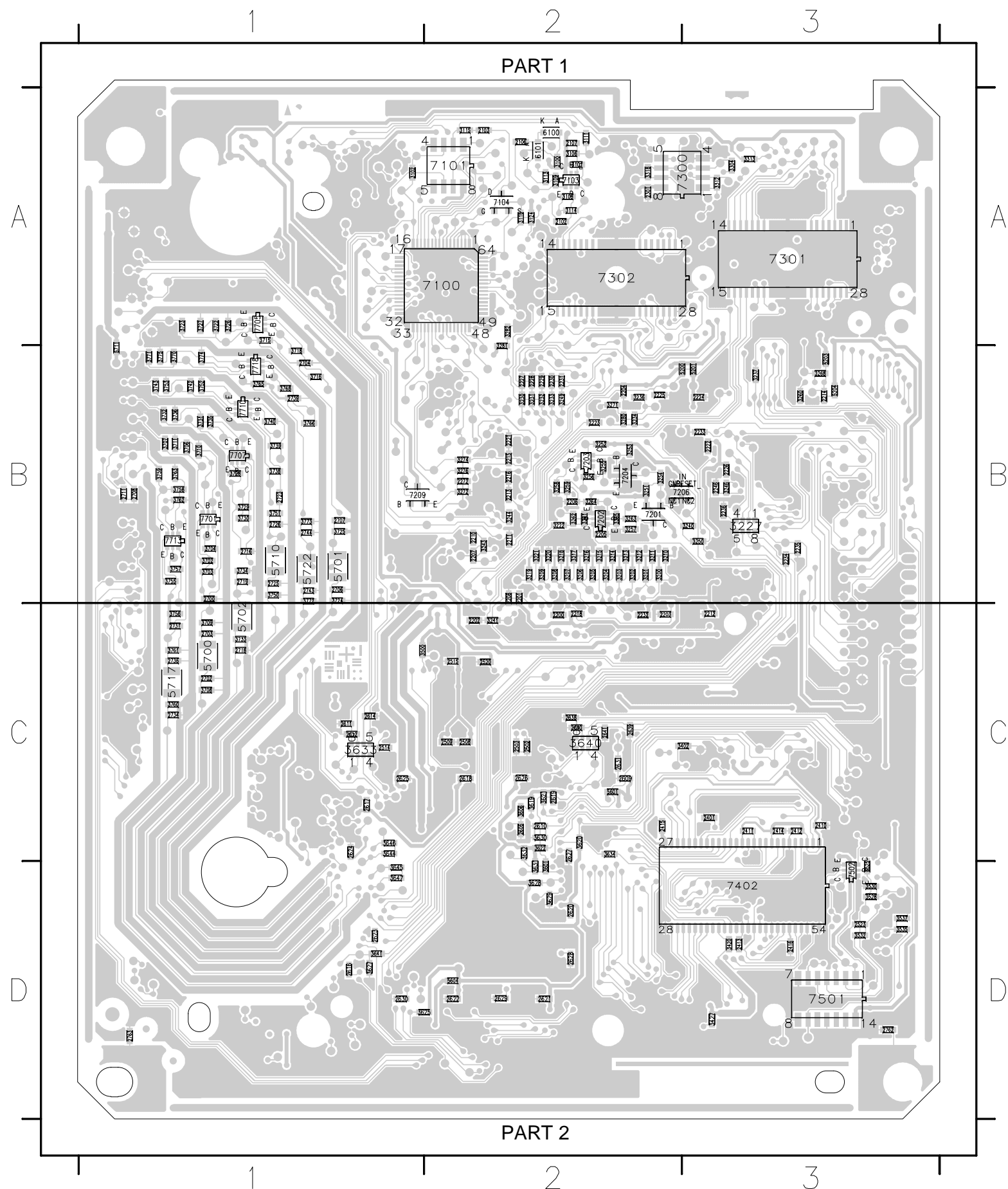


PART 2

PRINTED CIRCUIT BOARD

MONO-Board Bottom View (Overview)

1
2
3
4
5
6
7

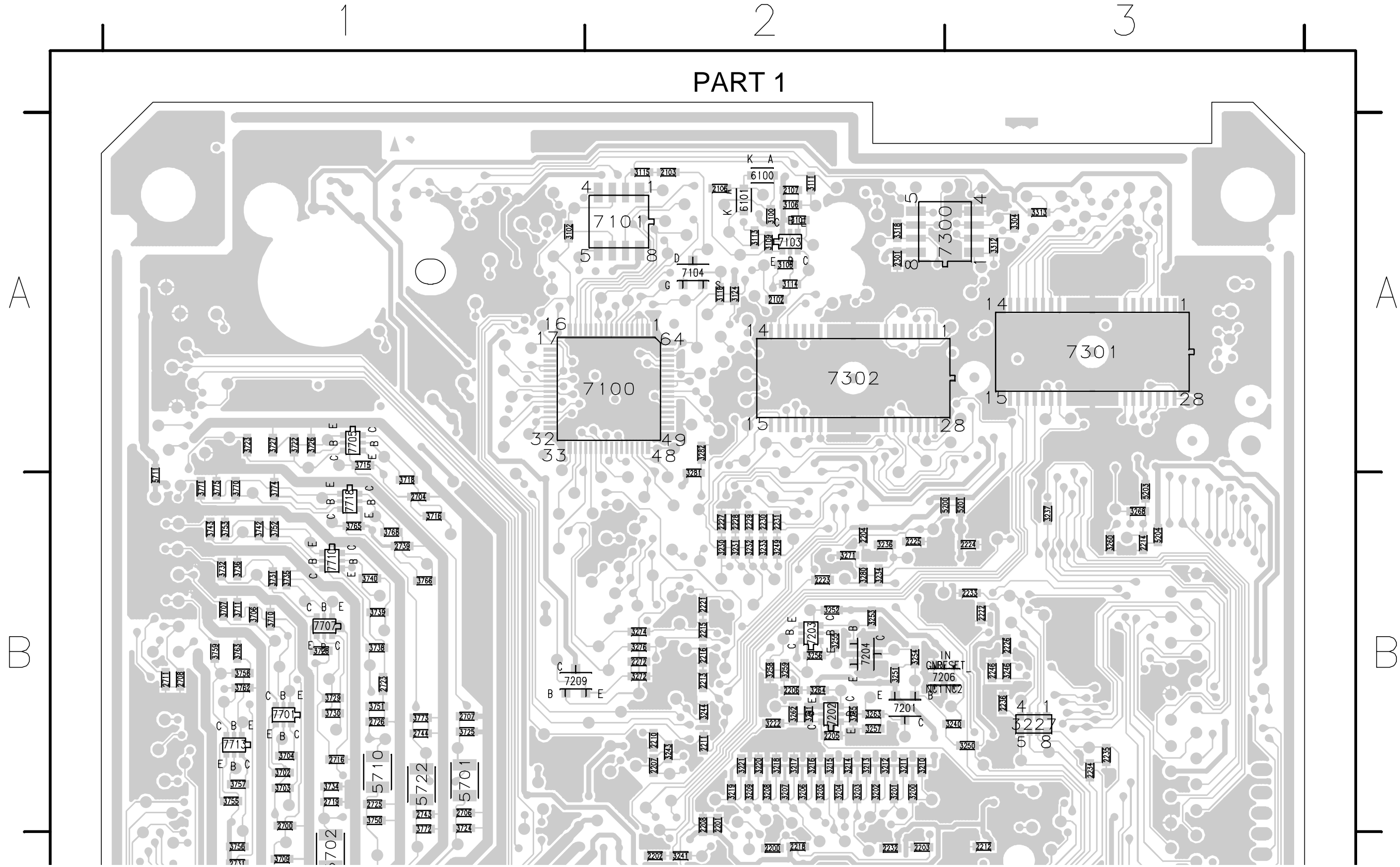


2102 A2	2625 C1	3232 B2	3703 B1	7104 A2
2103 A2	2626 C2	3233 B2	3704 B1	7201 B2
2106 A2	2627 C2	3234 B2	3706 B1	7202 B2
2107 A2	2628 D2	3236 B2	3707 B1	7203 B2
2200 C2	2629 D2	3237 B3	3708 C1	7204 B2
2201 B2	2630 D1	3240 B3	3709 C1	7206 B2
2202 C2	2631 C2	3241 C2	3710 B1	7209 B1
2203 C2	2638 C2	3243 B2	3711 B1	7300 A3
2204 B2	2639 C2	3244 B2	3715 A1	7301 A3
2205 B2	2640 C2	3246 B3	3716 B1	7302 A2
2206 B2	2641 C2	3249 B2	3718 B1	7402 D3
2207 B2	2700 B1	3250 B3	3722 A1	7501 D3
2208 B2	2702 C1	3251 B2	3723 A1	7502 D3
2210 B2	2703 C1	3252 B2	3724 B1	7701 B1
2211 B2	2704 B1	3253 B2	3725 B1	7705 A1
2212 C3	2706 B1	3254 B2	3726 A1	7707 B1
2213 B2	2707 B1	3255 B2	3727 A1	7710 B1
2214 B3	2708 B1	3256 B2	3728 B1	7713 B1
2215 B2	2711 B1	3257 B2	3729 B1	7718 B1
2216 B2	2716 B1	3258 B2	3730 B1	
2218 C2	2718 C1	3259 B2	3731 B1	
2221 B2	2719 B1	3260 B3	3732 B1	
2222 B3	2723 B1	3261 B2	3733 C1	
2223 B2	2725 B1	3262 B2	3734 B1	
2224 B3	2726 B1	3263 B2	3735 B1	
2225 B2	2731 C1	3264 B2	3736 B1	
2226 B3	2734 C1	3265 B2	3738 B1	
2227 B2	2735 C1	3268 B3	3739 B1	
2228 B2	2739 B1	3271 B2	3740 B1	
2229 B2	2743 B1	3272 B2	3742 B1	
2230 B2	2744 B1	3274 B2	3743 B1	
2231 B2	2762 D3	3276 B2	3750 B1	
2232 C2	2763 D1	3280 B2	3751 B1	
2233 B3	3100 A2	3281 B2	3752 B1	
2234 B3	3101 A2	3282 A2	3753 B1	
2235 B3	3102 A1	3304 A3	3755 B1	
2236 B3	3105 A2	3312 A3	3756 C1	
2246 B3	3106 A2	3313 A3	3757 B1	
2272 B2	3109 A2	3318 A2	3758 B1	
2301 A2	3110 A2	3402 C3	3759 B1	
2401 C3	3111 A2	3420 D3	3760 C1	
2410 C3	3113 A2	3427 D3	3761 C1	
2411 C3	3114 A2	3500 C1	3762 B1	
2412 C3	3115 A2	3525 D3	3763 B1	
2413 D3	3124 A2	3528 D3	3765 B1	
2414 C3	3200 B2	3530 D3	3766 B1	
2415 C2	3201 B2	3532 D3	3768 B1	
2416 D3	3202 B2	3535 D3	3770 B1	
2502 C2	3203 B2	3537 D3	3771 B1	
2503 C2	3204 B2	3601 D2	3772 B1	
2508 C2	3205 B2	3606 C2	3773 B1	
2509 C2	3206 B2	3619 C2	3774 B1	
2514 C1	3207 B2	3620 C2	3775 B1	
2515 C2	3208 B2	3621 C2	5200 B3	
2520 C2	3209 B2	3622 C2	5201 B3	
2523 D3	3210 B2	3625 D2	5203 B3	
2605 C2	3211 B2	3627 D1	5204 B3	
2609 C2	3212 B2	3628 D2	5601 C2	
2610 C2	3213 B2	3629 D2	5604 D2	
2611 C1	3214 B2	3630 C2	5700 C1	
2612 C1	3215 B2	3631 D2	5701 B1	
2614 C1	3216 B2	3632 C2	5702 C1	
2616 D1	3217 B2	3633 C1	5710 B1	
2617 C1	3218 B2	3634 C2	5711 B1	
2618 C2	3219 B2	3640 C2	5717 C1	
2619 C2	3220 B2	3641 D1	5722 B1	
2620 D2	3221 B2	3644 C1	6100 A2	
2621 D2	3222 B2	3645 D1	6101 A2	
2622 D2	3227 B3	3646 C1	7100 A2	
2623 D1	3230 B2	3647 D1	7101 A2	
2624 C1	3231 B2	3702 B1	7103 A2	

■ PRINTED CIRCUIT BOARD

MONO-Board Detailed Bottom View Part 1

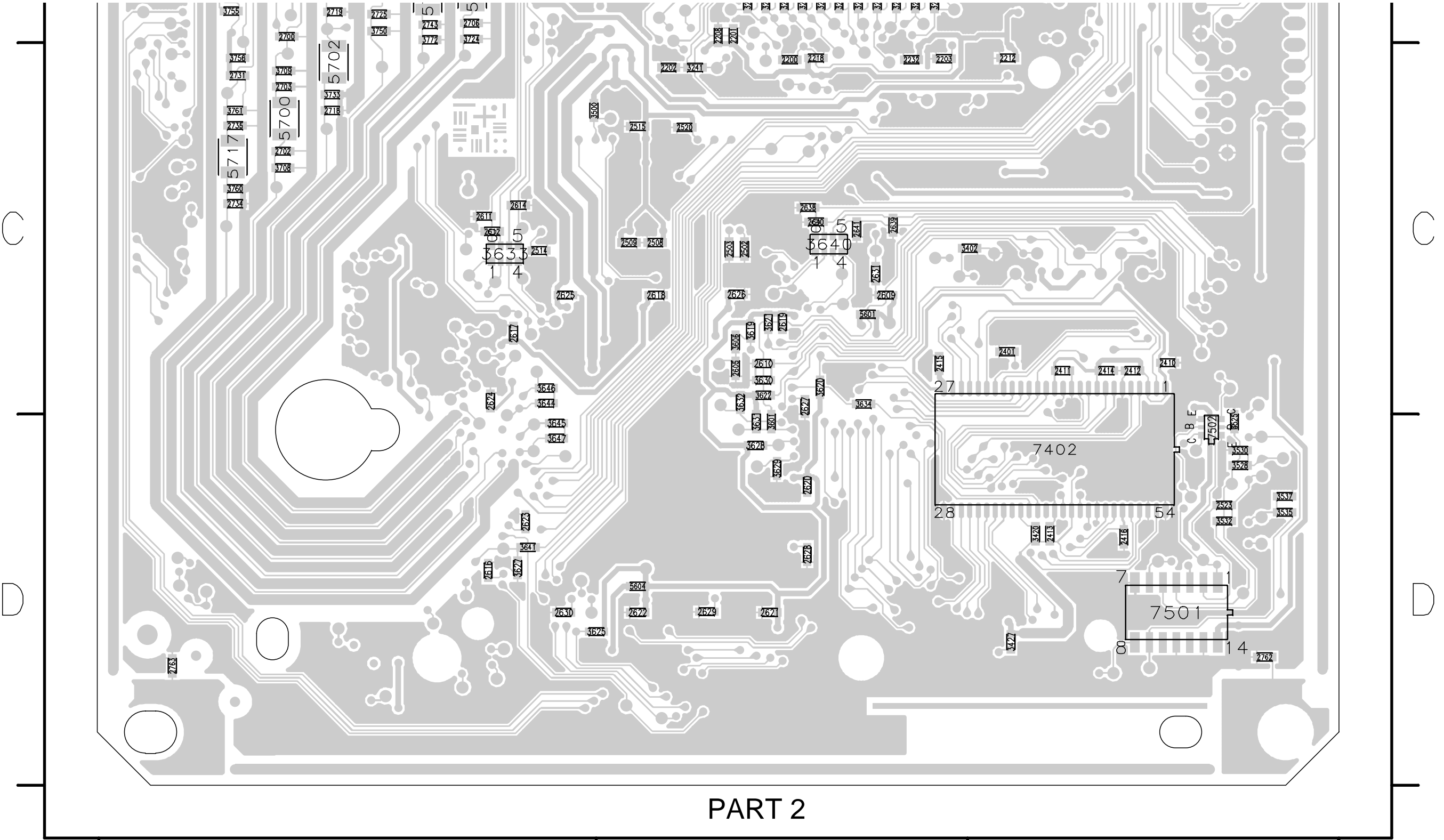
PART 1



■ PRINTED CIRCUIT BOARD

MONO-Board Detailed Bottom View Part 2

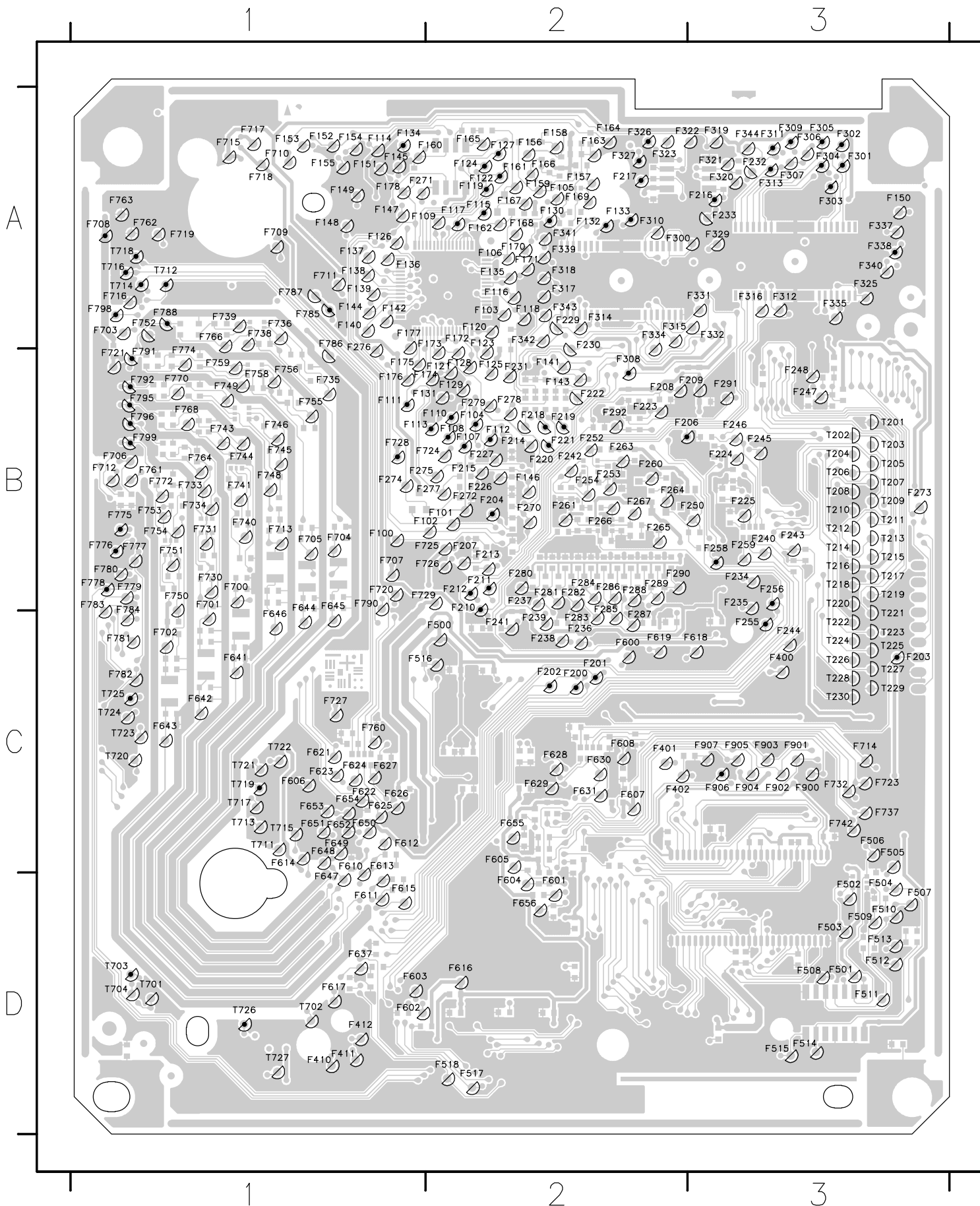
1
2
3
4
5
6
7



PART 2

PRINTED CIRCUIT BOARD

MONO-Board Testpoint Overview

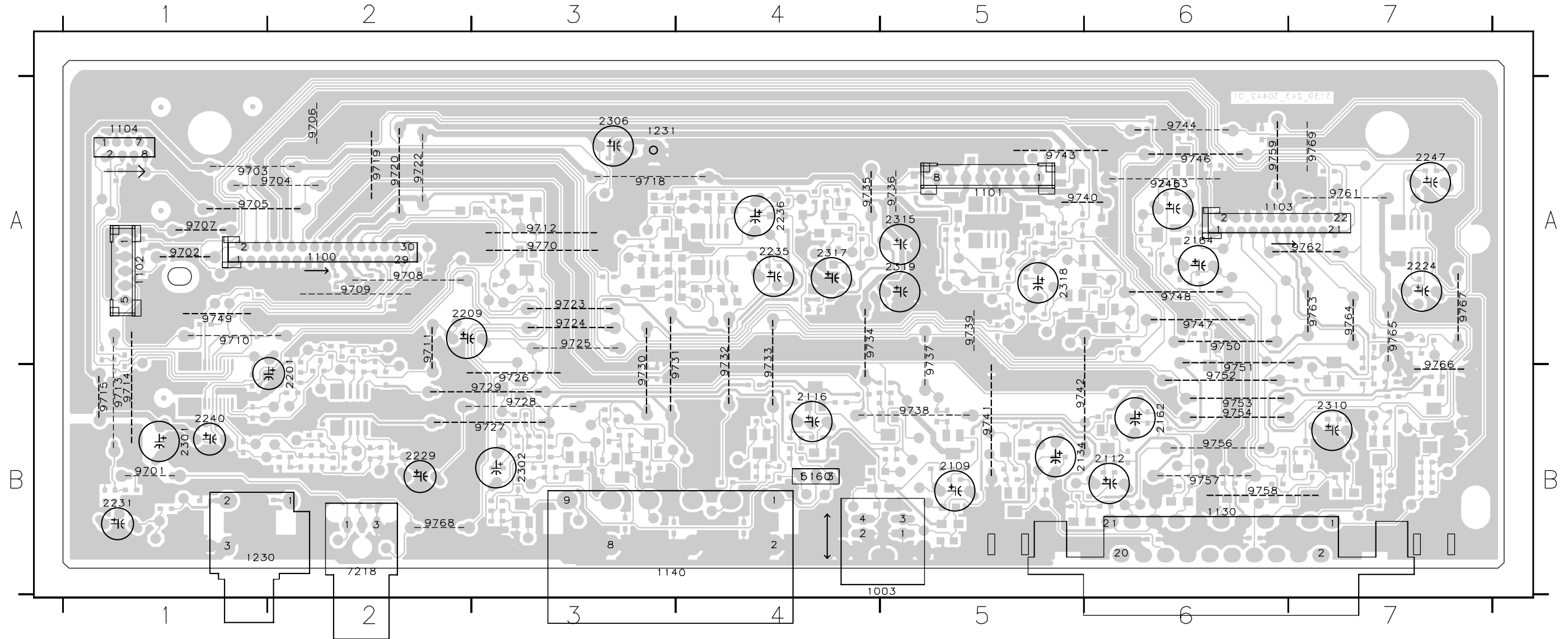


F100 B1	F171 A2	F271 A1	F503 D3	F708 A1	F787 A1
F101 B2	F172 B2	F272 B2	F504 D3	F709 A1	F788 A1
F102 B2	F173 B2	F273 B3	F505 C3	F710 A1	F790 B1
F103 A2	F174 B2	F274 B1	F506 C3	F711 A1	F791 B1
F104 B2	F175 B1	F275 B2	F507 D3	F712 B1	F792 B1
F105 A2	F176 B1	F276 B1	F508 D3	F713 B1	F795 B1
F106 A2	F177 A1	F277 B2	F509 D3	F714 C3	F796 B1
F107 B2	F178 A1	F278 B2	F510 D3	F715 A1	F798 A1
F108 B2	F200 C2	F279 B2	F511 D3	F716 A1	F799 B1
F109 A2	F201 C2	F280 B2	F512 D3	F717 A1	F900 C3
F110 B2	F202 C2	F281 B2	F513 D3	F718 A1	F901 C3
F111 B1	F203 C3	F282 B2	F514 D3	F719 A1	F902 C3
F112 B2	F204 B2	F283 C2	F515 D3	F720 B1	F903 C3
F113 B2	F206 B2	F284 B2	F516 C2	F721 B1	F904 C3
F114 A1	F207 B2	F285 C2	F517 D2	F723 C3	F905 C3
F115 A2	F208 B2	F286 B2	F518 D2	F724 B2	F906 C3
F116 A2	F209 B3	F287 C2	F600 C2	F725 B2	F907 C3
F117 A2	F210 B2	F288 B2	F601 D2	F726 B2	T201 B3
F118 A2	F211 B2	F289 B2	F602 D1	F727 C1	T202 B3
F119 A2	F212 B2	F290 B2	F603 D1	F728 B1	T203 B3
F120 A2	F213 B2	F291 B3	F604 D2	F729 B2	T204 B3
F121 B2	F214 B2	F292 B2	F605 C2	F730 B1	T205 B3
F122 A2	F215 B2	F300 A3	F606 C1	F731 B1	T206 B3
F123 B2	F216 A3	F301 A3	F607 C2	F732 C3	T207 B3
F124 A2	F217 A2	F302 A3	F608 C2	F733 B1	T208 B3
F125 B2	F218 B2	F303 A3	F610 D1	F734 B1	T209 B3
F126 A1	F219 B2	F304 A3	F611 D1	F735 B1	T210 B3
F127 A2	F220 B2	F305 A3	F612 C1	F736 A1	T211 B3
F128 B2	F221 B2	F306 A3	F613 D1	F737 C3	T212 B3
F129 B2	F222 B2	F307 A3	F614 C1	F738 A1	T213 B3
F130 A2	F223 B2	F308 B2	F615 D1	F739 A1	T214 B3
F131 B2	F224 B3	F309 A3	F616 D2	F740 B1	T215 B3
F132 A2	F225 B3	F310 A2	F617 D1	F741 B1	T216 B3
F133 A2	F226 B2	F311 A3	F618 C3	F742 C3	T217 B3
F134 A1	F227 B2	F312 A3	F619 C2	F743 B1	T218 B3
F135 A2	F229 A2	F313 A3	F621 C1	F744 B1	T219 B3
F136 A1	F230 A2	F314 A2	F622 C1	F745 B1	T220 B3
F137 A1	F231 B2	F315 A2	F623 C1	F746 B1	T221 C3
F138 A1	F232 A3	F316 A3	F624 C1	F748 B1	T222 C3
F139 A1	F233 A3	F317 A2	F625 C1	F749 B1	T223 C3
F140 A1	F234 B3	F318 A2	F626 C1	F750 B1	T224 C3
F141 B2	F235 B3	F319 A3	F627 C1	F751 B1	T225 C3
F142 A1	F236 C2	F320 A3	F628 C2	F752 A1	T226 C3
F143 B2	F237 B2	F321 A3	F629 C2	F753 B1	T227 C3
F144 A1	F238 C2	F322 A3	F630 C2	F754 B1	T228 C3
F145 A1	F239 C2	F323 A2	F631 C2	F755 B1	T229 C3
F146 B2	F240 B3	F325 A3	F637 D1	F756 B1	T230 C3
F147 A1	F241 C2	F326 A2	F641 C1	F758 B1	T701 D1
F148 A1	F242 B2	F327 A2	F642 C1	F759 B1	T702 D1
F149 A1	F243 B3	F329 A3	F643 C1	F760 C1	T703 D1
F150 A3	F244 C3	F331 A3	F644 C1	F761 B1	T704 D1
F151 A1	F245 B3	F332 A3	F645 C1	F762 A1	T711 C1
F152 A1	F246 B3	F334 A2	F646 C1	F763 A1	T712 A1
F153 A1	F247 B3	F335 A3	F647 D1	F764 B1	T713 C1
F154 A1	F248 B3	F337 A3	F648 C1	F766 A1	T714 A1
F155 A1	F250 B3	F338 A3	F649 C1	F768 B1	T715 C1
F156 A2	F252 B2	F339 A2	F650 C1	F770 B1	T716 A1
F157 A2	F253 B2	F340 A3	F651 C1	F772 B1	T717 C1
F158 A2	F254 B2	F341 A2	F652 C1	F774 B1	T718 A1
F159 A2	F255 C3	F342 A2	F653 C1	F775 B1	T719 C1
F160 A1	F256 B3	F343 A2	F654 C1	F776 B1	T720 C1
F161 A2	F258 B3	F344 A3	F655 C2	F777 B1	T721 C1
F162 A2	F259 B3	F400 C3	F656 D2	F778 B1	T722 C1
F163 A2	F260 B2	F401 C2	F700 B1	F779 B1	T723 C1
F164 A2	F261 B2	F402 C2	F701 C1	F780 B1	T724 C1
F165 A2	F263 B2	F410 D1	F702 C1	F781 C1	T725 C1
F166 A2	F264 B2	F411 D1	F703 A1	F782 C1	T726 D1
F167 A2	F265 B2	F412 D1	F704 B1	F783 C1	T727 D1
F168 A2	F266 B2	F500 C2	F705 B1	F784 C1	
F169 A2	F267 B2	F501 D3	F706 B1	F785 A1	
F170 A2	F270 B2	F502 D3	F707 B1	F786 B1	

■ PRINTED CIRCUIT BOARD (G, B models)

AV-Board (Top View)

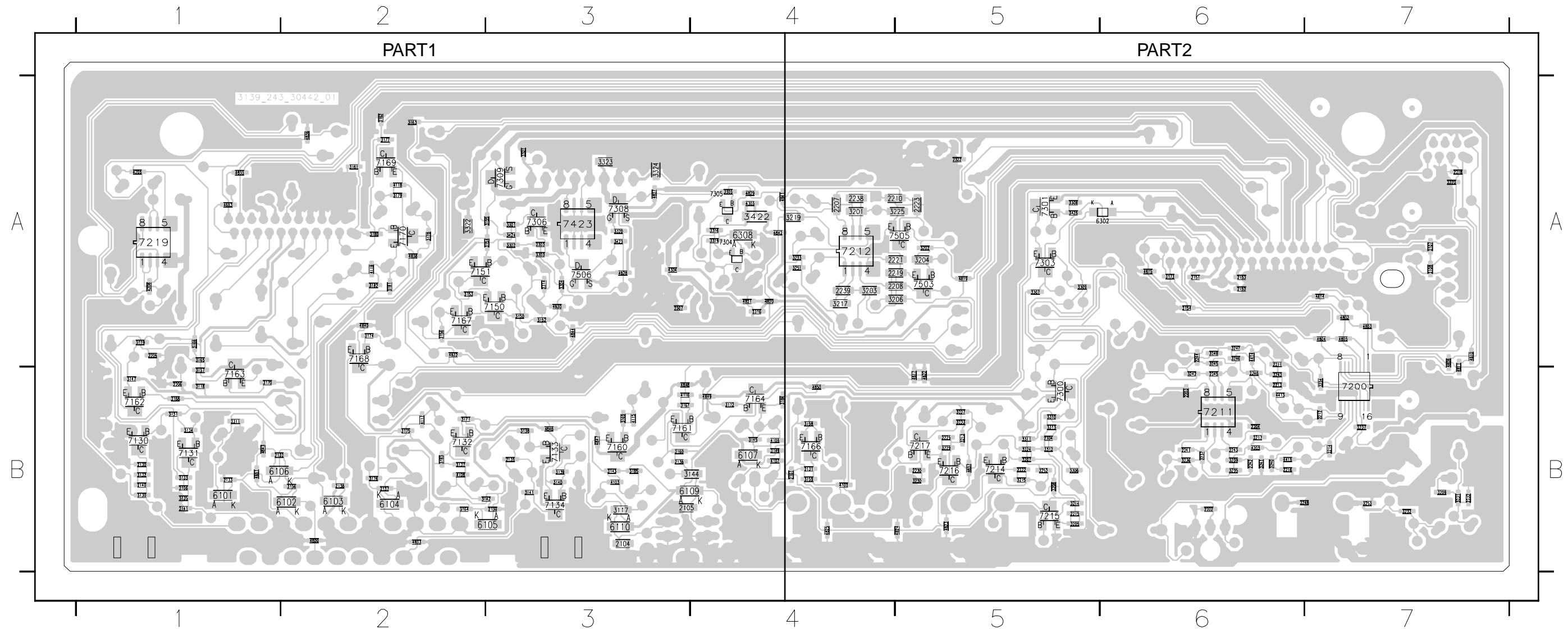
1003	B5	1140	B3	2162	B6	2231	B1	2306	A3	7218	B2	9707	A1	9714	B1	9724	A3	9731	A4	9738	B5	9745	A6	9752	B6	9761	A7	9768	B2		
1100	A2	1230	B1	2163	A6	2235	A4	2310	B7	7218	B2	9701	B1	9708	A2	9715	B1	9725	A3	9732	A4	9739	A5	9746	A6	9753	B6	9762	A7	9769	A7
1101	A5	1231	A3	2164	A6	2236	A4	2315	A5	7218	B2	9702	A1	9709	A2	9718	A3	9726	A3	9733	A4	9740	A5	9747	A6	9754	B6	9763	A7	9770	A3
1102	A1	2109	B5	2201	B1	2240	B1	2317	A4	7218	B2	9703	A1	9710	A1	9719	A2	9727	B3	9734	A4	9741	B5	9748	A6	9755	B6	9764	A7		
1103	A6	2112	B6	2209	A2	2247	A7	2318	A5	7218	B2	9704	A2	9711	A2	9720	A2	9728	B3	9735	A4	9742	B5	9749	A1	9757	B6	9765	A7		
1104	A1	2116	B4	2224	A7	2301	B1	2319	A5	7218	B2	9705	A1	9712	A3	9722	A2	9729	B3	9736	A5	9743	A5	9750	A6	9758	B6	9766	A7		
1130	B6	2134	B5	2229	B2	2302	B3	5160	B4	7218	B2	9706	A2	9713	B1	9723	A3	9730	B3	9737	A5	9744	A6	9751	A6	9759	A6	9767	A7		



■ PRINTED CIRCUIT BOARD (G, B models)

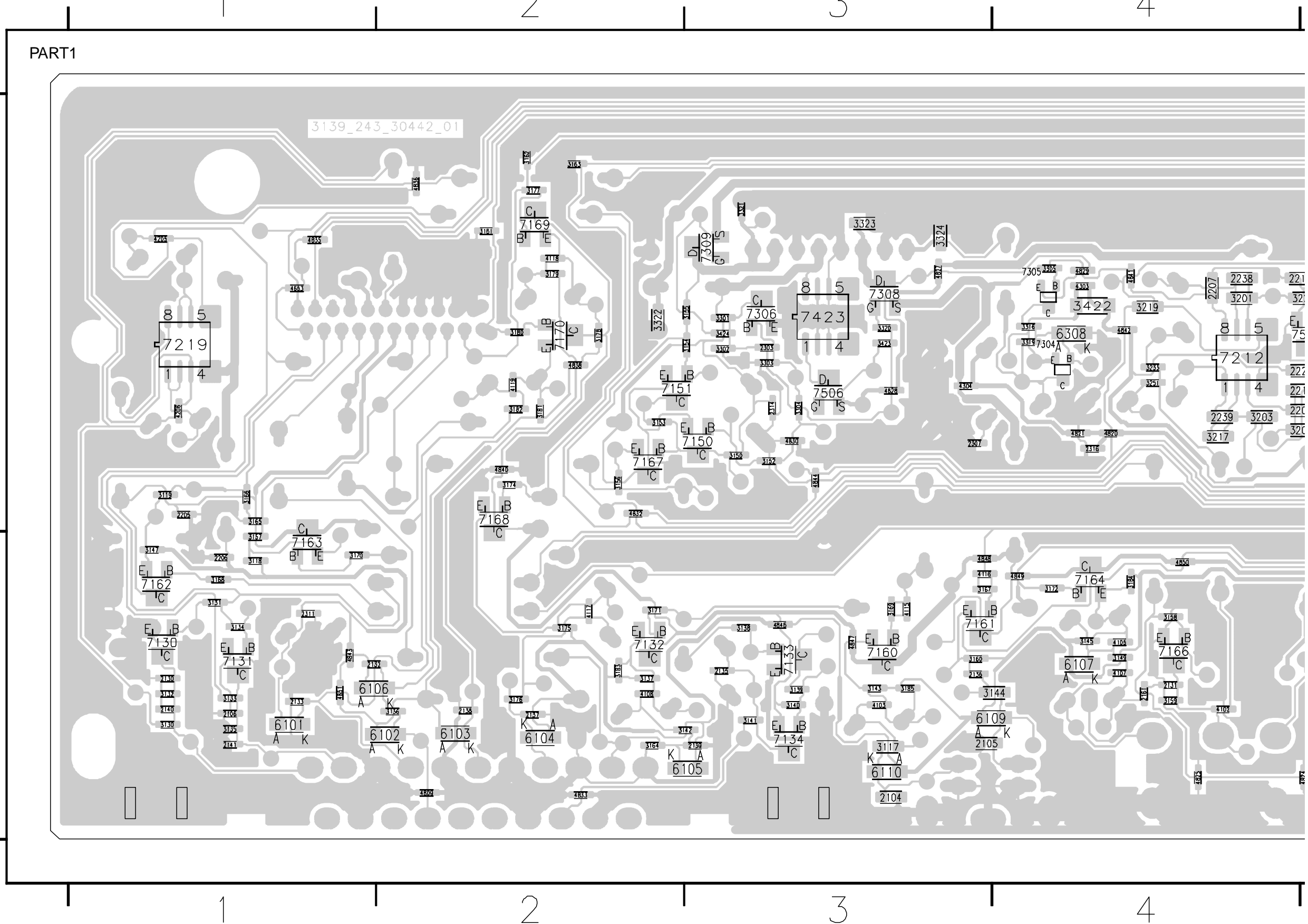
AV-Board (Bottom View)

2104 B3	2161 B4	2222 B5	2316 A4	3145 B4	3168 B1	3203 A4	3233 A4	3304 A3	3425 A5	4802 A7	4829 A4	6102 B2	7163 B1	7306 A3
2105 B3	2202 B6	2223 A5	2322 A5	3147 B1	3169 B3	3204 A5	3234 B7	3305 A4	4102 B4	4803 A7	4830 A3	6103 B2	7164 B4	7308 A3
2106 B1	2203 B6	2225 B5	3117 B3	3149 B4	3170 B1	3205 B5	3235 B6	3306 B5	4103 B3	4804 A7	4832 A2	6104 B2	7166 B4	7309 A3
2107 A7	2204 B6	2230 B5	3118 B1	3150 A3	3171 B2	3206 A5	3236 B6	3307 A5	4105 B4	4805 A7	4833 B2	6105 B3	7167 A2	7423 A3
2108 A7	2205 A1	2232 B7	3119 A1	3152 A3	3172 B4	3207 B5	3237 B6	3308 A5	4107 B4	4806 A7	4835 A1	6106 B1	7168 A2	7503 A5
2130 B1	2206 B1	2237 B7	3130 B1	3153 A2	3173 A6	3208 B5	3239 B6	3309 A5	4108 B2	4809 B2	4836 A2	6107 B4	7169 A2	7505 A5
2131 B4	2207 A4	2238 A4	3131 B1	3154 A3	3174 A2	3209 B7	3240 B6	3310 B5	4115 B3	4810 A7	4837 B5	6109 B3	7170 A2	7506 A3
2132 B1	2208 A5	2239 A4	3132 B1	3155 A3	3175 B2	3213 B5	3241 B6	3311 B5	4116 B3	4811 B7	4838 A2	6110 B3	7200 B7	
2133 B1	2210 A4	2241 B6	3133 B1	3156 A2	3176 B2	3214 B5	3242 B6	3312 B5	4117 B2	4814 A7	4840 A2	6302 A6	7211 B6	
2135 B3	2211 A6	2242 B6	3134 B1	3157 B1	3177 A2	3215 B5	3243 B6	3313 B5	4118 A2	4815 A6	4841 A4	6308 A4	7212 A4	
2136 B3	2212 B7	2243 B6	3135 B1	3158 B4	3178 A2	3217 A4	3245 A6	3316 A4	4119 A2	4817 B5	4842 A4	7130 B1	7214 B5	
2137 B2	2213 B6	2244 A6	3136 B2	3159 B4	3179 A2	3219 A4	3246 A6	3319 A4	4203 B6	4819 A5	4843 B1	7131 B1	7215 B5	
2138 B2	2214 B7	2245 B6	3137 B2	3160 B3	3180 A2	3223 B5	3247 A6	3320 A3	4205 A1	4820 A4	4844 A3	7132 B2	7216 B5	
2139 B3	2215 B5	2246 B6	3138 B3	3161 A2	3181 A2	3224 B5	3248 A6	3321 A3	4206 A1	4821 A4	4846 B3	7133 B3	7217 B5	
2140 B1	2216 B6	2248 B6	3139 B3	3162 A2	3182 A2	3225 A5	3251 A4	3322 A2	4303 A4	4822 B5	4847 B3	7134 B3	7219 A1	
2141 B1	2217 B6	2303 A3	3140 B3	3163 A2	3183 B2	3227 B5	3252 B5	3323 A3	4304 A3	4823 B5	4848 B3	7150 A3	7300 B5	
2151 A6	2218 A7	2304 B5	3141 B3	3164 B2	3184 B4	3229 B5	3253 B7	3324 A3	4413 B6	4824 B5	4849 B4	7151 A2	7301 A5	
2152 A6	2219 A5	2307 A3	3142 B3	3165 A1	3185 B3	3230 B5	3301 A3	3422 A4	4414 A6	4825 B4	4850 B4	7160 B3	7303 A5	
2153 A6	2220 A7	2311 B1	3143 B3	3166 A1	3201 A4	3231 B7	3302 A3	3423 A3	4415 B6	4827 A3	4851 B1	7161 B3	7304 A4	
2154 A6	2221 A5	2314 A3	3144 B4	3167 B3	3202 A5	3232 B7	3303 A3	3424 A3	4653 A1	4828 A3	6101 B1	7162 B1	7305 A4	



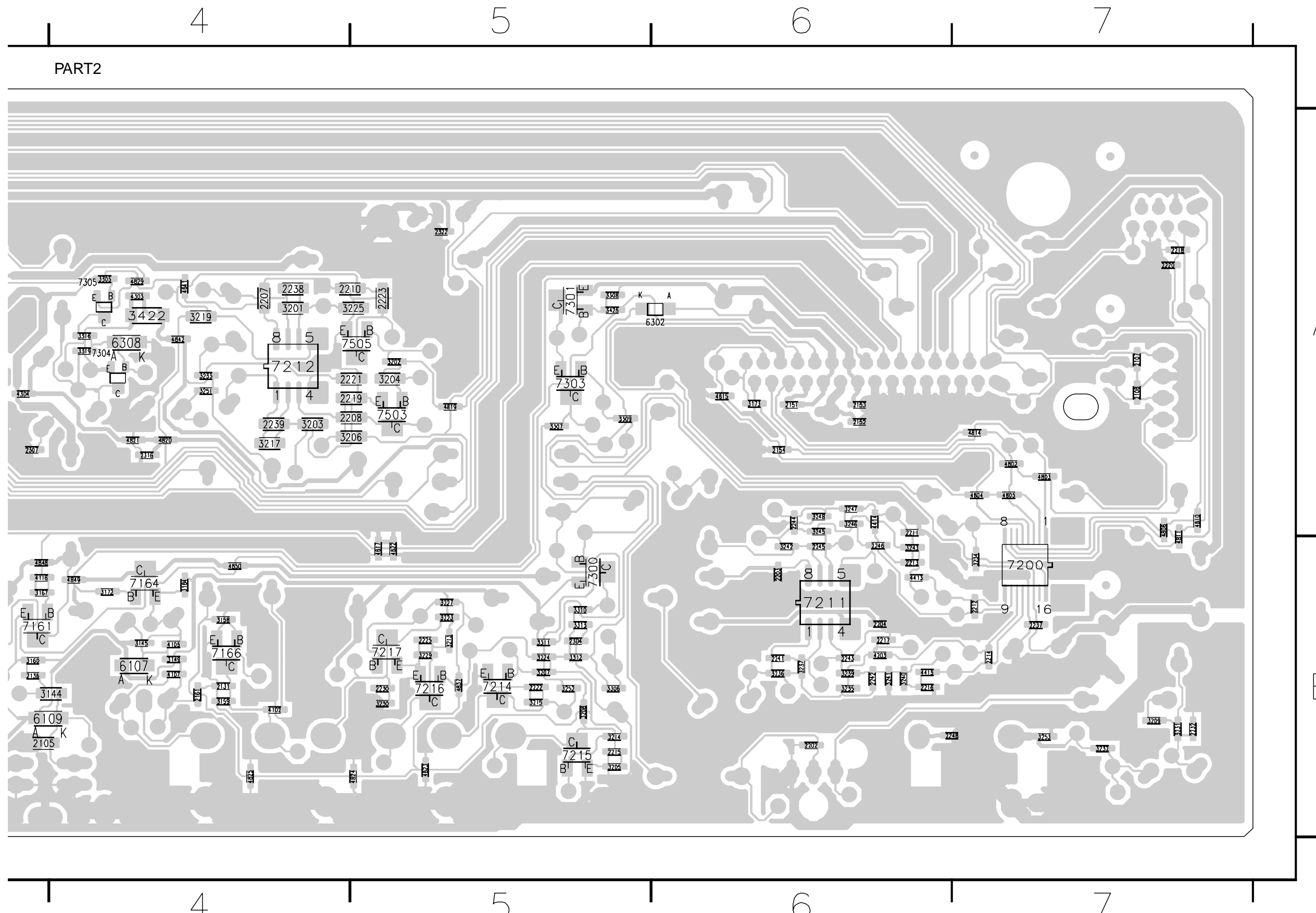
■ PRINTED CIRCUIT BOARD (G, B models)

AV-Board Bottom View Part 1



■ PRINTED CIRCUIT BOARD (G, B models)

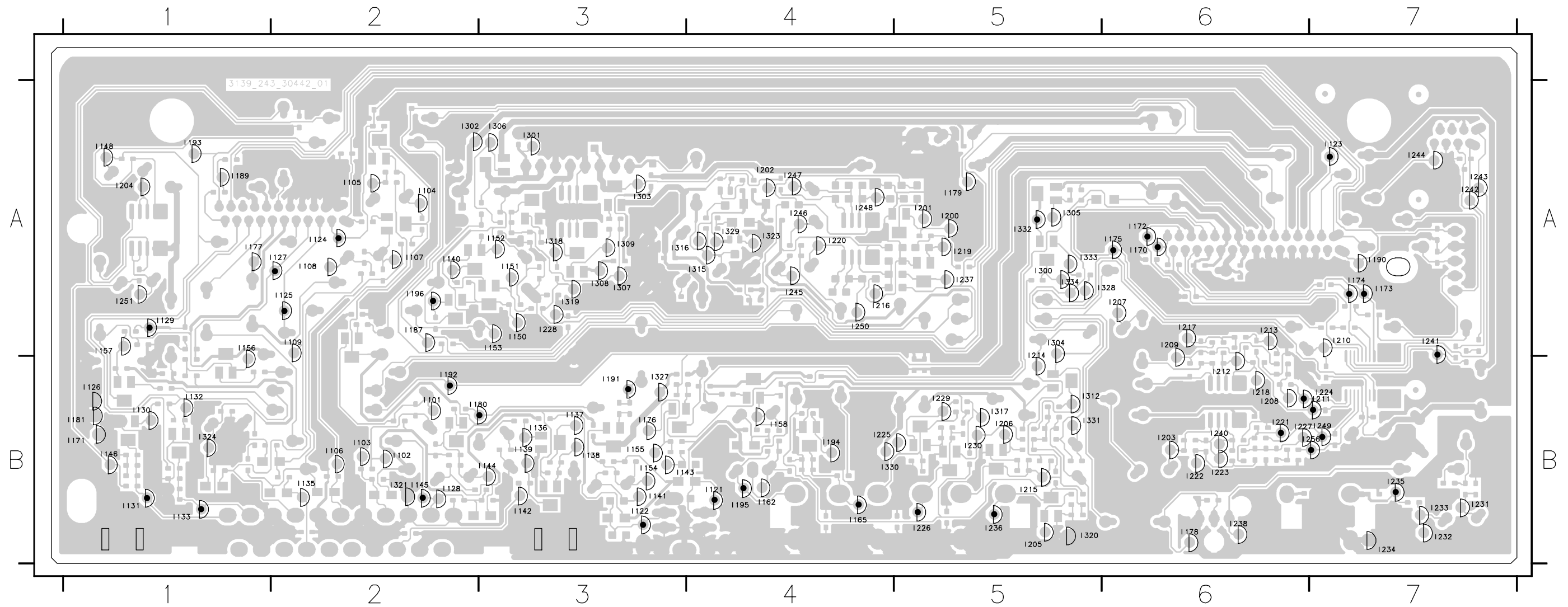
AV-Board Bottom View Part 2



■ PRINTED CIRCUIT BOARD (G, B models)

AV-Board Testpoint Overview

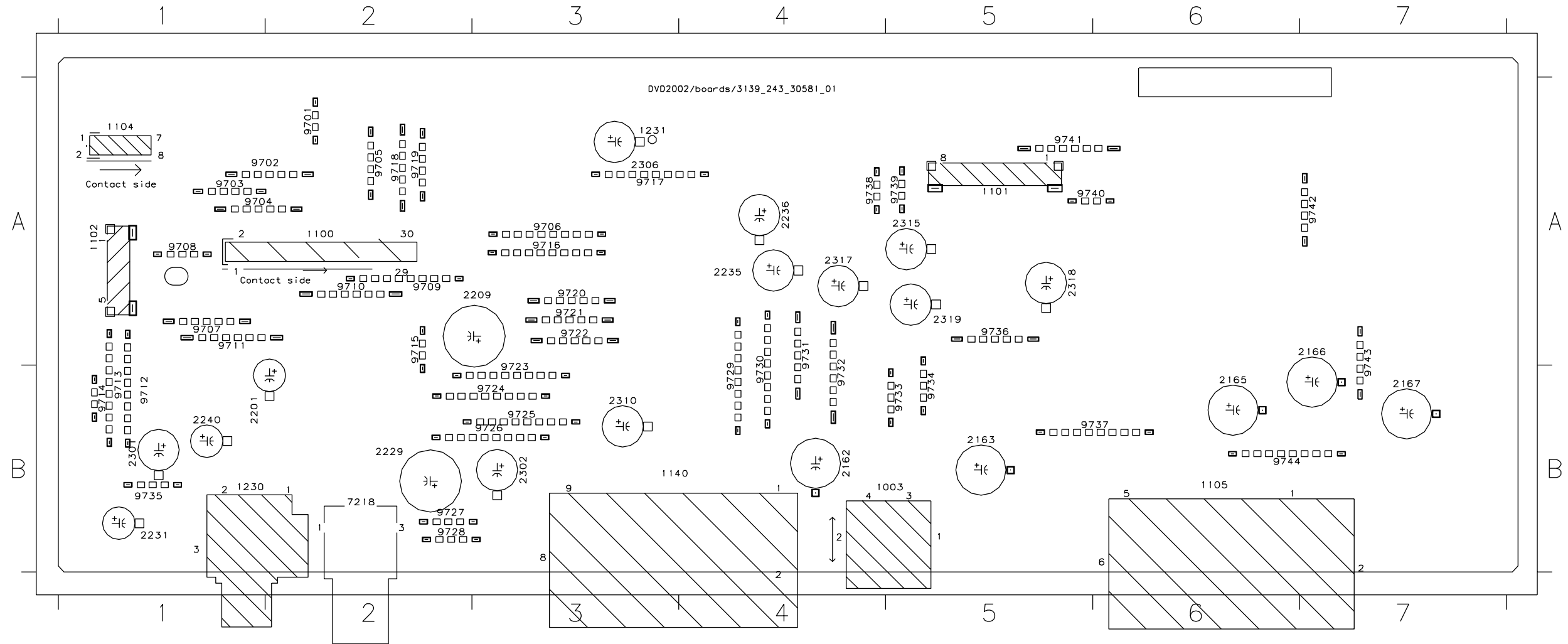
I101 B2	I125 A2	I139 B3	I154 B3	I176 B3	I195 B4	I211 B7	I224 B7	I237 A5	I251 A1	I315 A4	I331 B5
I102 B2	I126 B1	I140 A2	I155 B3	I177 A1	I196 A2	I212 B6	I225 B4	I238 B6	I256 B7	I316 A3	I332 A5
I103 B2	I127 A2	I141 B3	I156 A1	I178 B6	I200 A5	I213 A6	I226 B5	I240 B6	I300 A5	I317 B5	I333 A5
I104 A2	I128 B2	I142 B3	I157 A1	I179 A5	I201 A5	I214 A5	I227 B6	I241 A7	I301 A3	I318 A3	I334 A5
I105 A2	I129 A1	I143 B3	I158 B4	I180 B2	I202 A4	I215 B5	I228 A3	I242 A7	I302 A2	I319 A3	
I106 B2	I130 B1	I144 B3	I162 B4	I181 B1	I203 B6	I216 A4	I229 B5	I243 A7	I303 A3	I320 B5	
I107 A2	I131 B1	I145 B2	I165 B4	I187 A2	I204 A1	I217 A6	I230 B5	I244 A7	I304 A5	I321 B2	
I108 A2	I132 B1	I146 B1	I170 A6	I189 A1	I205 B5	I218 B6	I231 B7	I245 A4	I305 A5	I323 A4	
I109 A2	I133 B1	I148 A1	I171 B1	I190 A7	I206 B5	I219 A5	I232 B7	I246 A4	I306 A3	I324 B1	
I121 B4	I135 B2	I150 A3	I172 A6	I191 B3	I207 A6	I220 A4	I233 B7	I247 A4	I307 A3	I327 B3	
I122 B3	I136 B3	I151 A3	I173 A7	I192 B2	I208 B6	I221 B6	I234 B7	I248 A4	I308 A3	I328 A6	
I123 A7	I137 B3	I152 A3	I174 A7	I193 A1	I209 A6	I222 B6	I235 B7	I249 B7	I309 A3	I329 A4	
I124 A2	I138 B3	I153 A3	I175 A6	I194 B4	I210 A7	I223 B6	I236 B5	I250 A4	I312 B5	I330 B4	



■ PRINTED CIRCUIT BOARD (U, C, A, R, T, P models)

AV-Board (Top View)

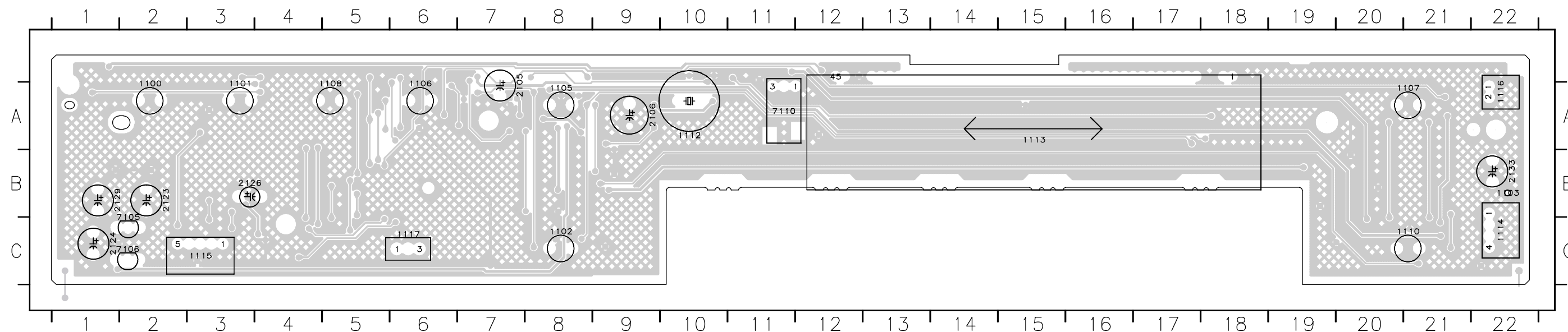
1003 B5	1104 A1	1231 A3	2166 A7	2229 B2	2240 B1	2310 B3	2319 A5	9703 A1	9707 A1	9711 A1	9715 A2	9719 A2	9723 B3	9727 B2	9731 A4	9735 B1	9739 A5	9743 A7
1100 A2	1105 B6	2162 B4	2167 B7	2231 B1	2301 B1	2315 A5	7218 B2	9704 A1	9708 A1	9712 B1	9716 A3	9720 A3	9724 B3	9728 B2	9732 B4	9736 A5	9740 A5	9744 B6
1101 A5	1140 B3	2163 B5	2201 B1	2235 A4	2302 B3	2317 A4	9701 A2	9705 A2	9709 A2	9713 B1	9717 A3	9721 A3	9725 B3	9729 B4	9733 B5	9737 B6	9741 A5	
1102 A1	1230 B1	2165 B6	2209 A3	2236 A4	2306 A3	2318 A5	9702 A1	9706 A3	9710 A2	9714 B1	9718 A2	9722 A3	9726 B3	9730 B4	9734 B5	9738 A4	9742 A7	



PRINTED CIRCUIT BOARD

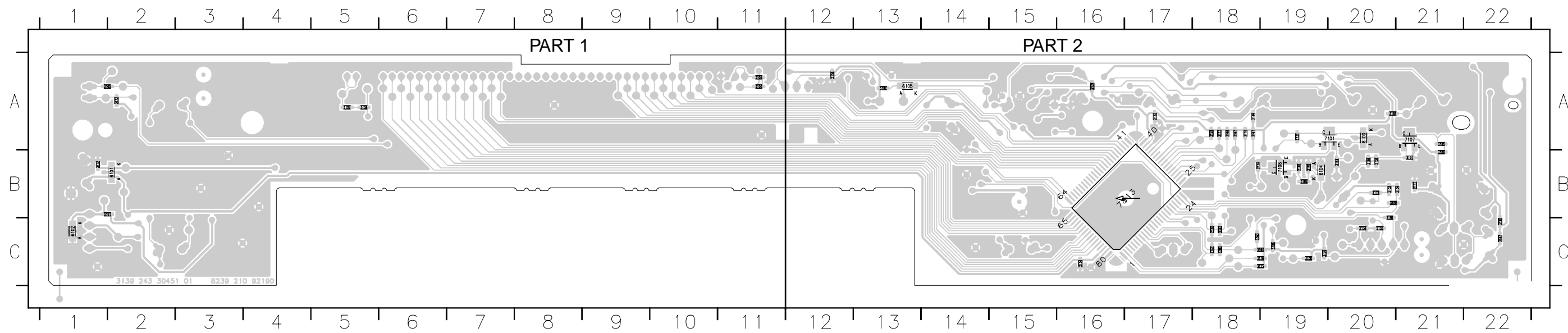
Display-Board (Top View)

1100 A2	1105 A8	1110 C21	1115 C3	2106 A9	2129 B1	7110 A11
1101 A3	1106 A6	1112 A10	1116 A22	2123 B2	2133 B22	
1102 C8	1107 A21	1113 B15	1117 C6	2124 C1	7105 B2	
1103 B22	1108 A5	1114 C22	2105 A7	2126 B3	7106 C2	



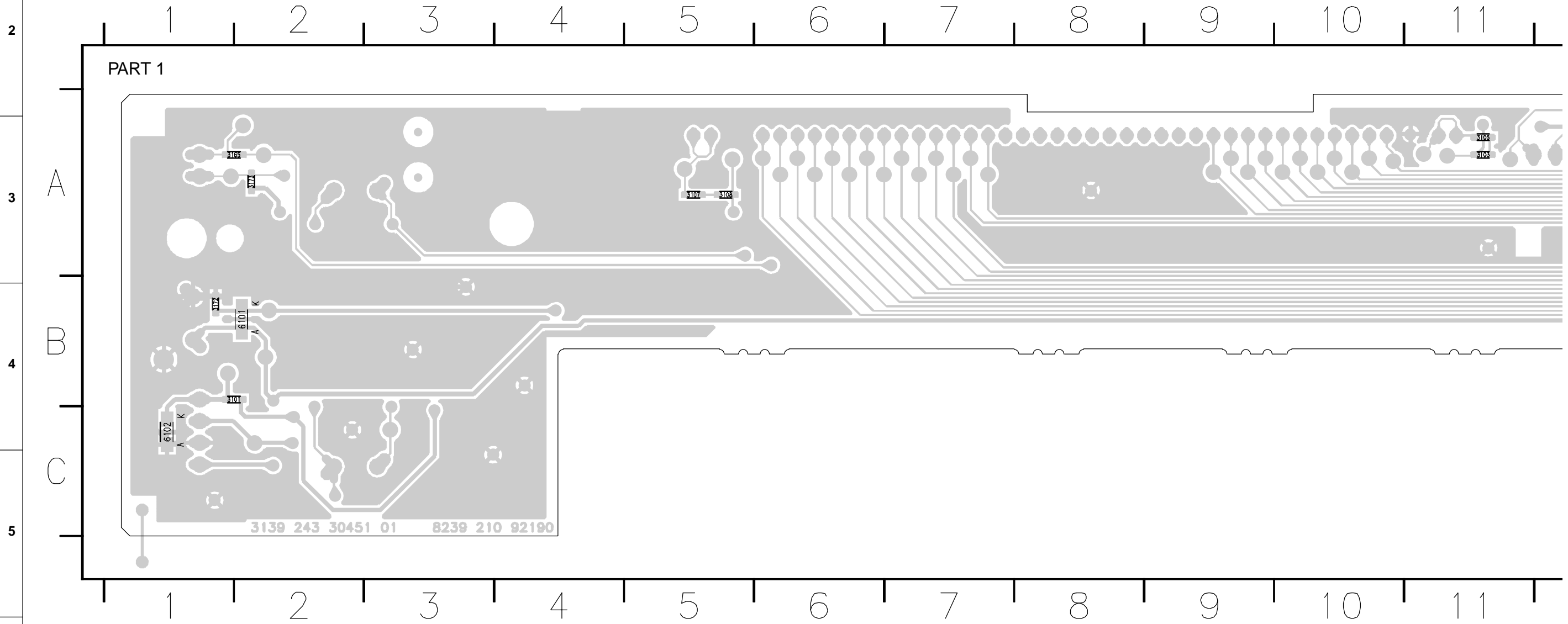
Display-Board (Bottom View)

2116 A12	2136 C20	3100 C19	3106 C19	3161 A18	3167 A18	3173 A2	3181 B20	3187 C22	6101 B2	7108 B19
2130 C18	2137 B21	3101 B1	3107 A5	3162 C18	3168 A18	3174 C19	3182 A13	3188 B20	6102 C1	7113 B17
2131 A19	2138 B20	3102 B20	3108 A5	3163 C18	3169 A20	3175 C19	3183 C18	3189 B19	6104 B19	
2132 A17	2139 B18	3103 A11	3109 A16	3164 B20	3170 A18	3176 C19	3184 B21	3190 C22	6105 A13	
2134 C16	2140 B19	3104 B21	3159 A18	3165 A1	3171 A18	3178 B20	3185 A21	3191 B21	7101 A20	
2135 C20	2141 C18	3105 A11	3160 C19	3166 A18	3172 B1	3180 B20	3186 B19	6100 A20	7107 A21	



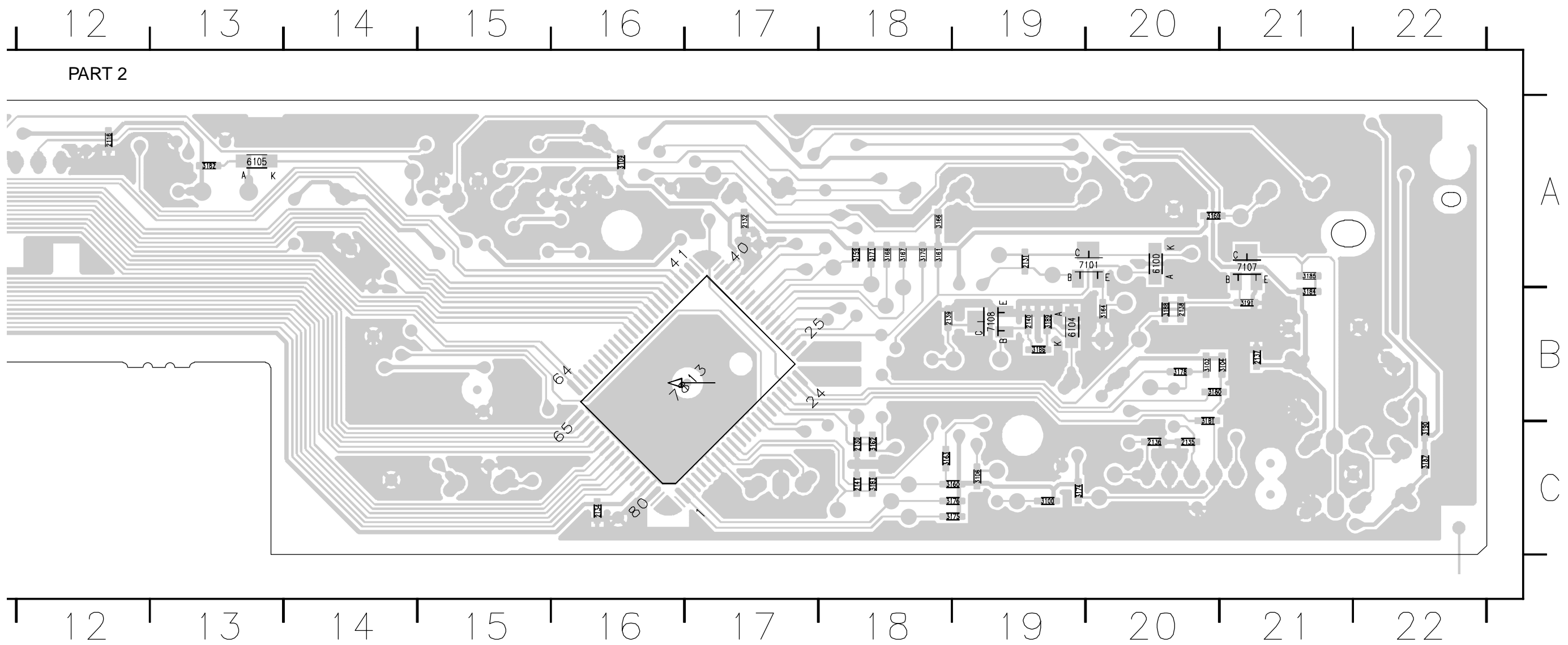
1 ■ PRINTED CIRCUIT BOARD

Display-Board Bottom View Part 1



■ PRINTED CIRCUIT BOARD

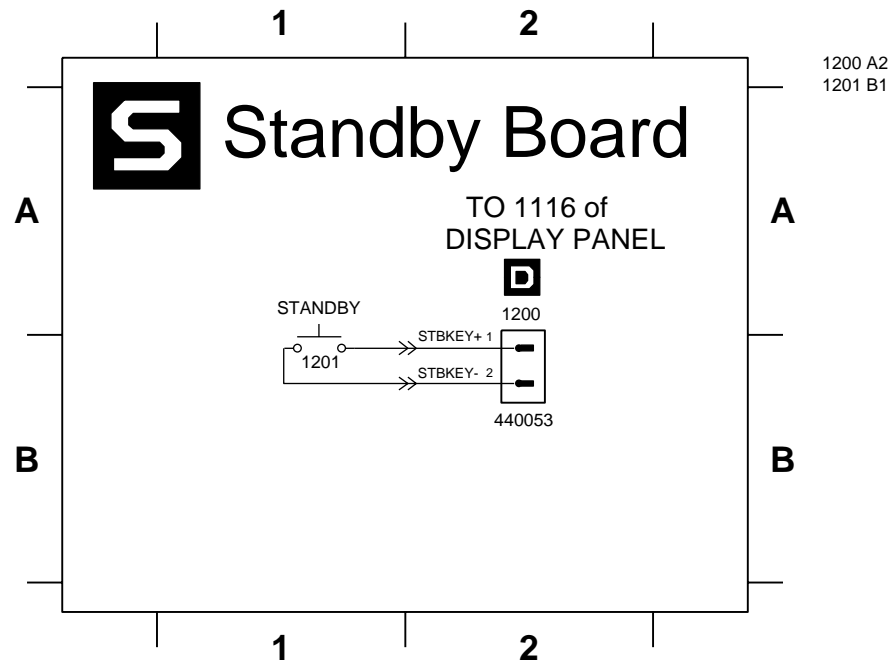
Display-Board Bottom View Part 2



1

■ PRINTED CIRCUIT BOARD

Standby-Board (Top View)

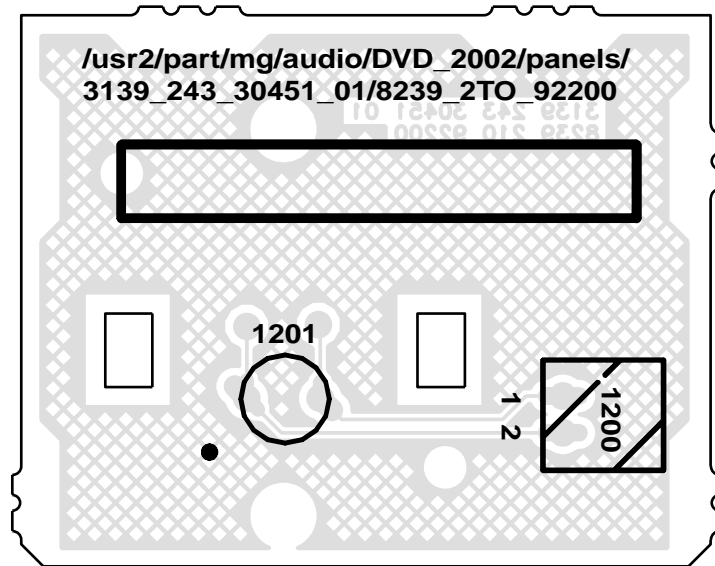


2

3

4

Standby-Board (Bottom View)



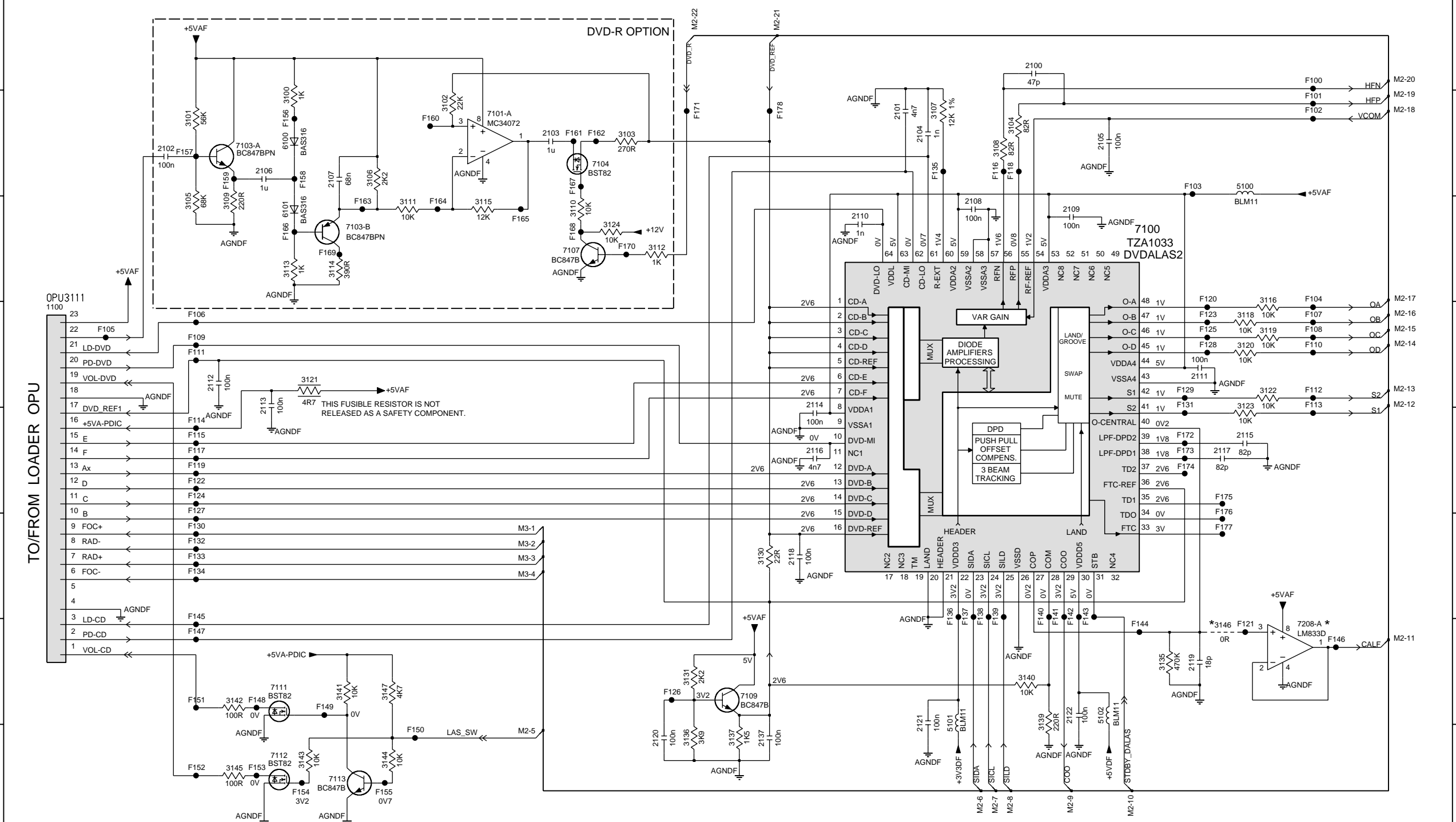
5

6

7

SCHEMATIC DIAGRAM

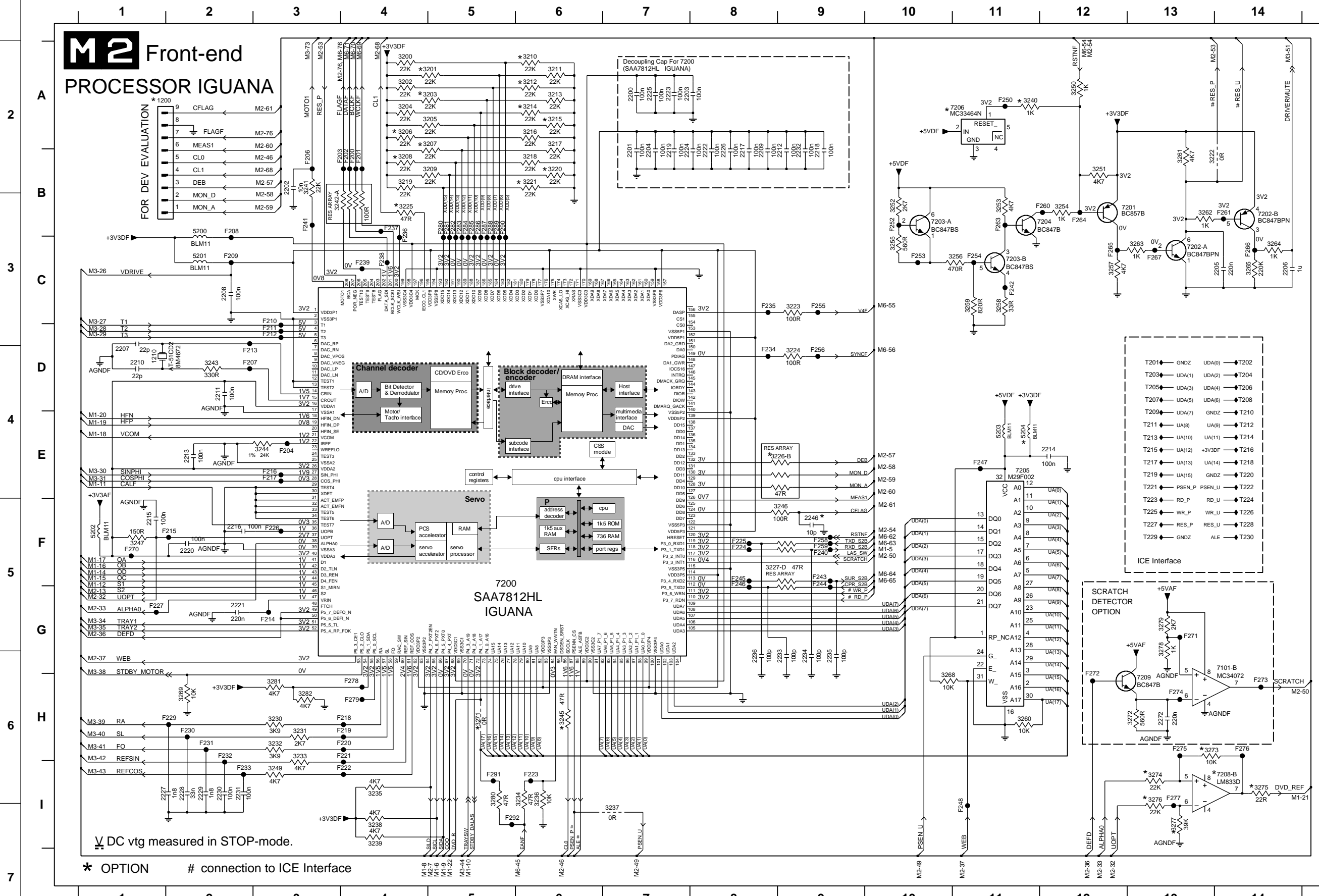
M1 Front-end processor and Laser supply - DVDalاس 2



- 1100 D1
- 2100 A10
- 2101 B9
- 2102 B2
- 2103 B5
- 2104 B9
- 2105 B11
- 2106 B3
- 2107 B3
- 2108 C9
- 2109 C10
- 2110 C8
- 2111 D11
- 2112 D2
- 2113 D3
- 2114 E8
- 2115 E12
- 2116 E8
- 2117 E12
- 2118 F8
- 2119 G11
- 2120 H6
- 2121 G9
- 2122 G10
- 2137 H7
- 3100 B3
- 3101 B2
- 3102 B4
- 3103 B6
- 3104 B10
- 3105 C2
- 3106 B4
- 3107 B9
- 3108 B10
- 3109 C2
- 3110 C6
- 3111 C4
- 3112 C6
- 3113 C3
- 3114 C3
- 3115 C5
- 3116 D12
- 3118 D12
- 3119 D12
- 3120 D12
- 3121 D3
- 3122 D12
- 3123 E12
- 3124 C6
- 3130 F7
- 3131 G7
- 3135 H11
- 3136 H7
- 3137 H7
- 3139 G10
- 3140 G10
- 3141 G3
- 3142 G2
- 3143 H3
- 3144 H4
- 3145 H2
- 3146 F12
- 3147 G4
- 5100 B12
- 5101 G9
- 5102 G11
- 6100 B3
- 6101 C3
- 7100 E9
- 7101-A B5
- 7103-A B2
- 7103-B C3
- 7104 B6
- 7107 C6
- 7109 G7
- 7111 G3
- 7112 H3
- 7113 H3
- 7208-A F12
- F100 A13
- F101 B13
- F102 B13
- F103 B11
- F104 D13
- F105 D1
- F106 D2
- F107 D13
- F108 D13
- F109 D2
- F110 D13
- F111 D2
- F112 D13
- F113 E13
- F114 E2
- F115 E2
- F116 B10
- F117 E2
- F118 B10
- F119 E2
- F120 D11
- F121 F12
- F122 E2
- F123 D11
- F124 E2
- F125 D11
- F126 G6
- F127 F2
- F128 D11
- F129 D11
- F130 F2
- F131 E11
- F132 F2
- F133 F2
- F134 F2
- F135 B9
- F136 F9
- F137 F9
- F138 F9
- F139 F10
- F140 F10
- F141 F10
- F142 F10
- F143 F10
- F144 F11
- F145 G2
- F146 G13
- F147 G2
- F148 G3
- F149 G3
- F150 H4
- F151 G2
- F152 H2
- F153 H3
- F154 H3
- F155 H4
- F156 B3
- F157 B2
- F158 B3
- F159 B2
- F160 B4
- F161 B6
- F162 B6
- F163 C4
- F164 C4
- F165 C5
- F166 C3
- F167 B6
- F168 C6
- F169 C3
- F170 C6
- F171 B7
- F172 E11
- F173 E11
- F174 E11
- F175 E11
- F176 F11
- F177 F11
- F178 B8

* OPTION
 DC vtg measured in STOP-mode.

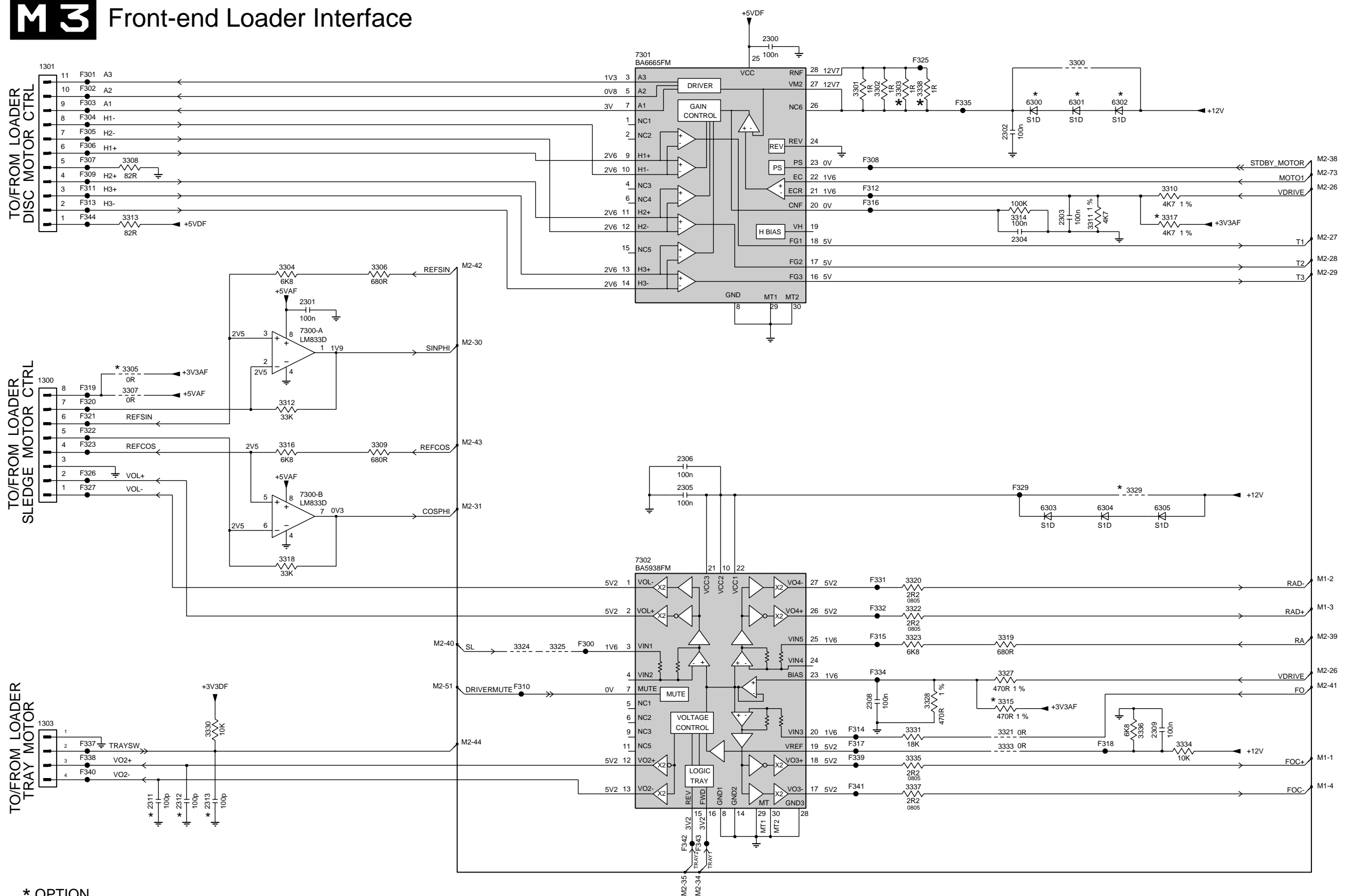
SCHEMATIC DIAGRAM



1200 A2	3282 H3	T218 E14
1210 D1	5200 B2	T219 E13
1200 A7	5201 C2	T220 E14
2201 B7	5202 F1	T221 E13
2202 B3	5203 E11	T222 E14
2203 A7	5204 E11	
2204 B7	7101-B G14	
2205 C14	7200 E6	
2206 C14	7201 B12	
2207 D1	7202-A C13	
2208 C2	7203-B B14	
2209 B5	7203-A B10	
2210 D1	7203-B C11	
2211 D2	7204 B11	
2212 B9	7205 E11	
2213 E2	7206 A11	
2214 E12	7208-B H14	
2215 F1	7209 H13	
2216 F2	F207 B4	T226 F14
2217 B6	F201 B4	T227 F13
2218 B9	F202 B4	T228 F14
2219 B7	F203 B3	T229 F13
2220 F2	F204 E3	T230 F14
2221 G2	F206 B3	
2222 B8	F207 D2	
2223 A7	F208 B2	
2224 B7	F209 C2	
2225 A7	F210 C3	
2226 B8	F211 D3	
2227 H1	F212 D3	
2228 I2	F213 D2	
2229 I2	F214 G3	
2230 I2	F215 F2	
2231 I2	F216 E3	
2232 B9	F217 E3	
2233 G9	F218 H4	
2234 G9	F219 H4	
2235 G9	F220 H4	
2236 G8	F221 H4	
2246 F9	F222 I4	
2272 H13	F223 I6	
3200 A4	F224 F8	
3201 A5	F225 F8	
3202 A4	F226 F3	
3203 A5	F227 G1	
3204 A4	F229 H2	
3205 A5	F230 H2	
3206 A4	F231 H2	
3207 A5	F232 H2	
3208 B4	F233 I2	
3209 B5	F234 D8	
3210 A6	F235 C8	
3211 A6	F236 C4	
3212 A6	F237 B4	
3213 A6	F238 C4	
3214 A6	F239 C4	
3215 A6	F240 F9	
3216 A6	F241 B3	
3217 A6	F242 C11	
3218 B6	F243 F9	
3219 B4	F244 F9	
3220 B6	F245 F8	
3221 B6	F246 F8	
3222 B13	F247 E11	
3223 C9	F248 H11	
3224 D9	F250 A11	
3225 B4	F252 B10	
3226-B E9	F253 C10	
3227-D F8	F254 C11	
3230 H3	F255 C9	
3231 H3	F256 D9	
3232 H3	F258 F9	
3233 H3	F259 F9	
3234 I6	F260 B12	
3235 I4	F261 B12	
3236 I6	F263 B11	
3237 I7	F264 B12	
3238 I4	F265 C12	
3239 I4	F266 C14	
3240 A11	F267 C13	
3241 B3	F270 F11	
3242-A B3	F271 G13	
3243 D2	F272 G12	
3244 E3	F273 H14	
3245 H6	F274 H13	
3246 F9	F275 H13	
3247 F1	F276 H14	
3249 I3	F277 H3	
3250 A12	F278 H4	
3251 B12	F279 H4	
3252 B10	F280 B5	
3253 B11	F281 B5	
3254 B12	F282 B5	
3255 C10	F283 B5	
3256 C11	F284 B5	
3258 C11	F286 B5	
3259 C11	F287 B5	
3260 H11	F288 B5	
3261 B13	F289 B5	
3262 B13	F290 B5	
3263 C13	F291 I5	
3264 C14	F292 I5	
3265 C14	T201 D13	
3268 H10	T202 D14	
3269 H2	T203 D13	
3271 H5	T204 D14	
3272 H13	T205 D13	
3273 H13	T206 D14	
3274 H3	T207 D13	
3275 H4	T208 D14	
3276 H3	T209 E13	
3277 H3	T210 E14	
3278 G13	T211 E13	
3279 G13	T212 E14	
3280 I5	T213 E13	
3281 H3	T214 E14	
T215 E13	T223 F13	
T216 E14	T224 F14	
T217 E13	T225 F13	

SCHEMATIC DIAGRAM

M3 Front-end Loader Interface



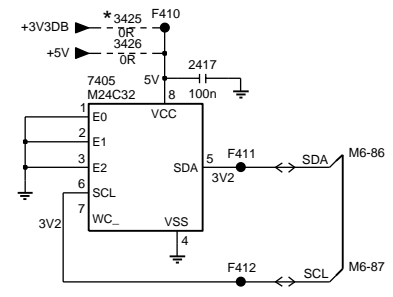
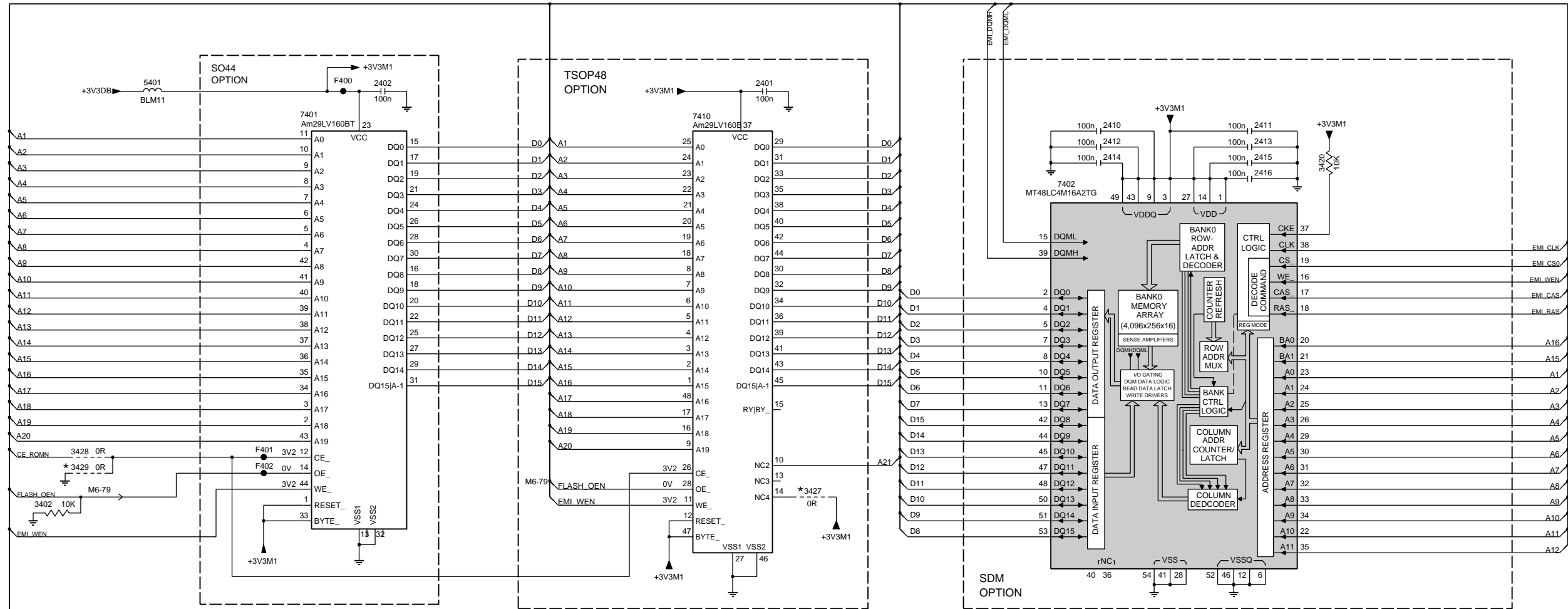
- 1300 D1
- 1301 A1
- 1303 H1
- 2300 A8
- 2301 C3
- 2302 B10
- 2303 C11
- 2304 C10
- 2305 E7
- 2306 E7
- 2308 H9
- 2309 H12
- 2311 I2
- 2312 I2
- 2313 I2
- 3300 A11
- 3301 A9
- 3302 A9
- 3303 A9
- 3304 C3
- 3305 D2
- 3306 C4
- 3307 D2
- 3308 B2
- 3309 E4
- 3310 B12
- 3311 C11
- 3312 D3
- 3313 C2
- 3314 C10
- 3315 H10
- 3316 E3
- 3317 C12
- 3318 F3
- 3319 G10
- 3320 F9
- 3321 H10
- 3322 G9
- 3323 G9
- 3324 G5
- 3325 G6
- 3327 G10
- 3328 H10
- 3329 E12
- 3330 H2
- 3331 H9
- 3333 H10
- 3334 H12
- 3335 H9
- 3336 H12
- 3337 H9
- 3338 A9
- 6300 A11
- 6301 A11
- 6302 A11
- 6303 F11
- 6304 F11
- 6305 F12
- 7300-A D3
- 7300-B E3
- 7301 A7
- 7302 F7
- F300 G6
- F301 A1
- F302 A1
- F303 A1
- F304 B1
- F305 B1
- F306 B1
- F307 B1
- F308 B9
- F309 B1
- F310 G5
- F311 B1
- F312 B9
- F313 B1
- F314 H9
- F315 G9
- F316 B9
- F317 H9
- F318 H11
- F319 D1
- F320 D1
- F321 E1
- F322 E1
- F323 E1
- F324 E1
- F327 E1
- F329 E10
- F331 F9
- F332 G9
- F334 G9
- F335 A10
- F337 H1
- F338 H1
- F339 H9
- F340 H1
- F341 H9
- F342 I7
- F343 I7
- F344 C1

* OPTION
 ⏏ DC vtg measured in STOP-mode.

SCHEMATIC DIAGRAM

M4 Back end - MEMORY

- 2401 B7
- 2402 B4
- 2410 B10
- 2411 B12
- 2412 C10
- 2413 C12
- 2414 C10
- 2415 C12
- 2416 C12
- 3402 F1
- 3420 C12
- 3425 G13
- 3426 G13
- 3427 F8
- 3428 E1
- 3429 F1
- 5401 B2
- 7401 B3
- 7402 C10
- 7405 H13
- 7410 B7
- F400 B3
- F401 E3
- F402 F3
- F410 G13
- F411 H14
- F412 H4



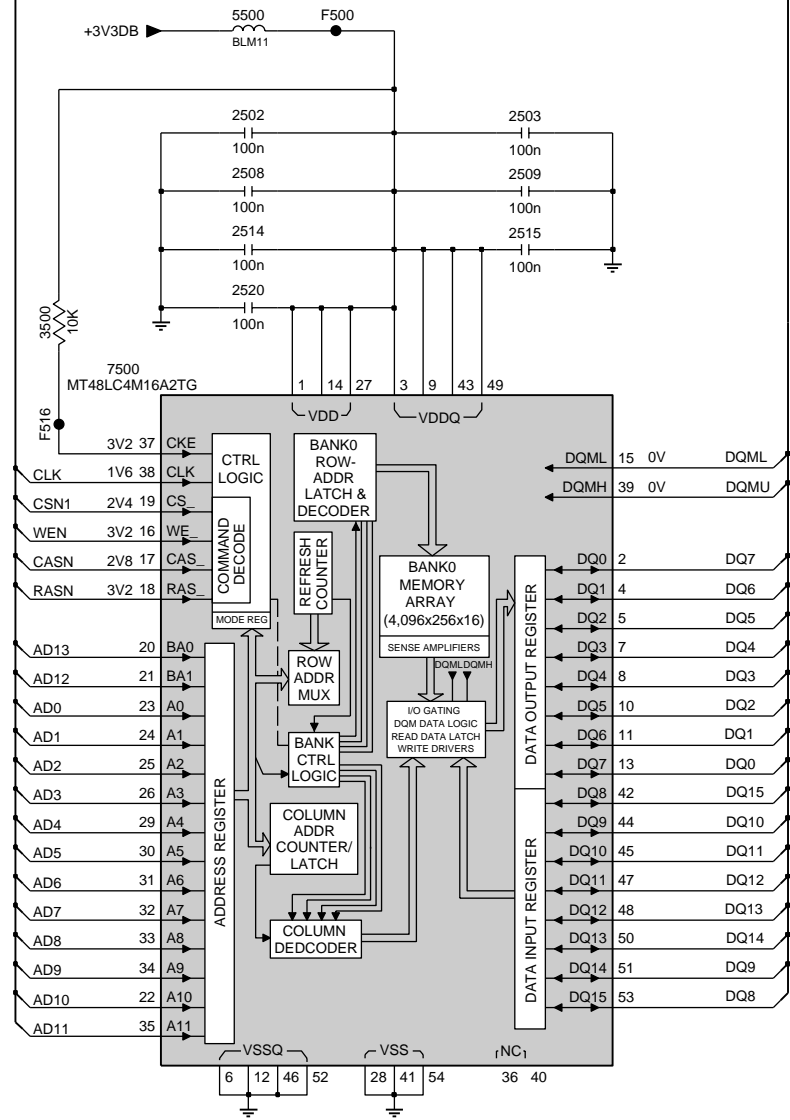
TO **M6** Back end - HOST PROCESSOR
Enhanced Memory Interface (EMI) Bus

* OPTION
V DC vtg measured in STOP-mode.

■ SCHEMATIC DIAGRAM

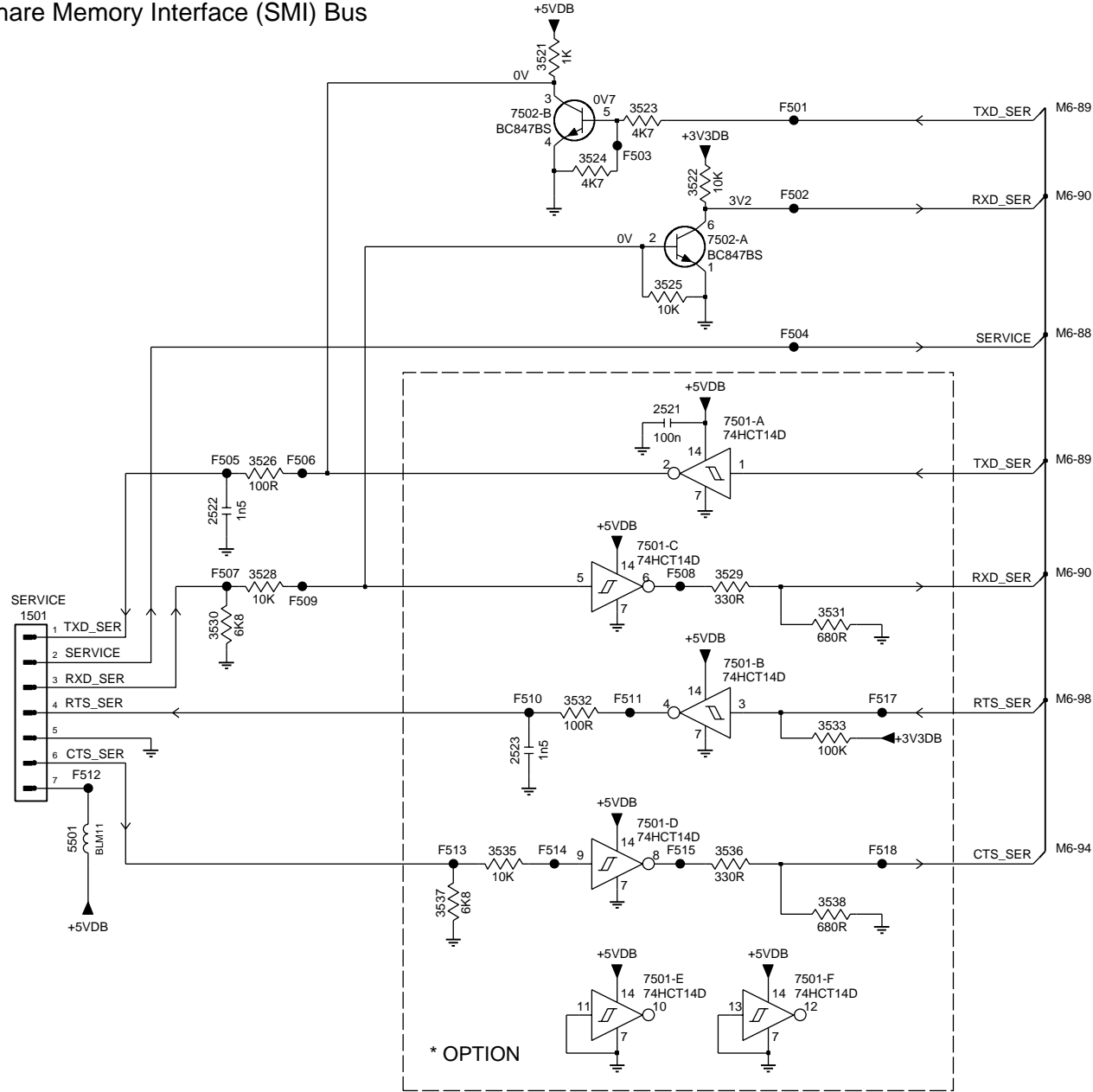
M5 Back-end SDRAM and SERVICE INTERFACE

TO **M6** Back-end HOST PROCESSOR
Share Memory Interface (SMI) Bus



* OPTION
 \underline{V} DC vtg measured in STOP-mode.

TO/FROM PC INTERFACE



* OPTION

- 1501 E6
- 2502 B2
- 2503 B3
- 2508 B2
- 2509 B3
- 2514 C2
- 2515 C3
- 2520 C2
- 2521 D9
- 2522 D7
- 2523 F8
- 3500 C1
- 3521 B9
- 3522 B9
- 3523 B9
- 3524 B9
- 3525 C9
- 3526 D7
- 3528 E7
- 3529 E10
- 3530 E7
- 3531 E10
- 3532 E9
- 3533 E10
- 3535 F8
- 3536 F10
- 3537 F8
- 3538 F10
- 5500 A2
- 5501 F6
- 7500 C1
- 7501-A D10
- 7501-B E10
- 7501-C D9
- 7501-D F9
- 7501-E G9
- 7501-F G10
- 7502-A C9
- 7502-B B9
- F500 A2
- F501 B10
- F502 B10
- F503 B9
- F504 C10
- F505 D7
- F506 D7
- F507 E7
- F508 E9
- F509 E7
- F510 E8
- F511 E9
- F512 F6
- F513 F8
- F514 F9
- F515 F9
- F516 C1
- F517 E10
- F518 F10

SCHEMATIC DIAGRAM

M6 Back end HOST PROCESSOR

TO M4 Backend Memory

EMI BUS

7600 STI5580

MEMORY interface

SYSTEM USE

PORT 0 I/O

PORT 1 I/O

PORT 2 I/O

PORT 3 I/O

PORT 4 I/O

JTAG

IRQ

AC3 LPCM MPEG1/2 DTS

AUDIO DECODER

KARAOKE

Audio

Video

A/V/Sub demultiplexer

MPEG DECODER

Subpicture

Subpicture decoder

VIDEO ENCODER

FRONT-END interface

SDRAM CONTROLLER

ADDRESS DATA

SMI BUS

DC vtg measured in STOP-mode. * OPTION

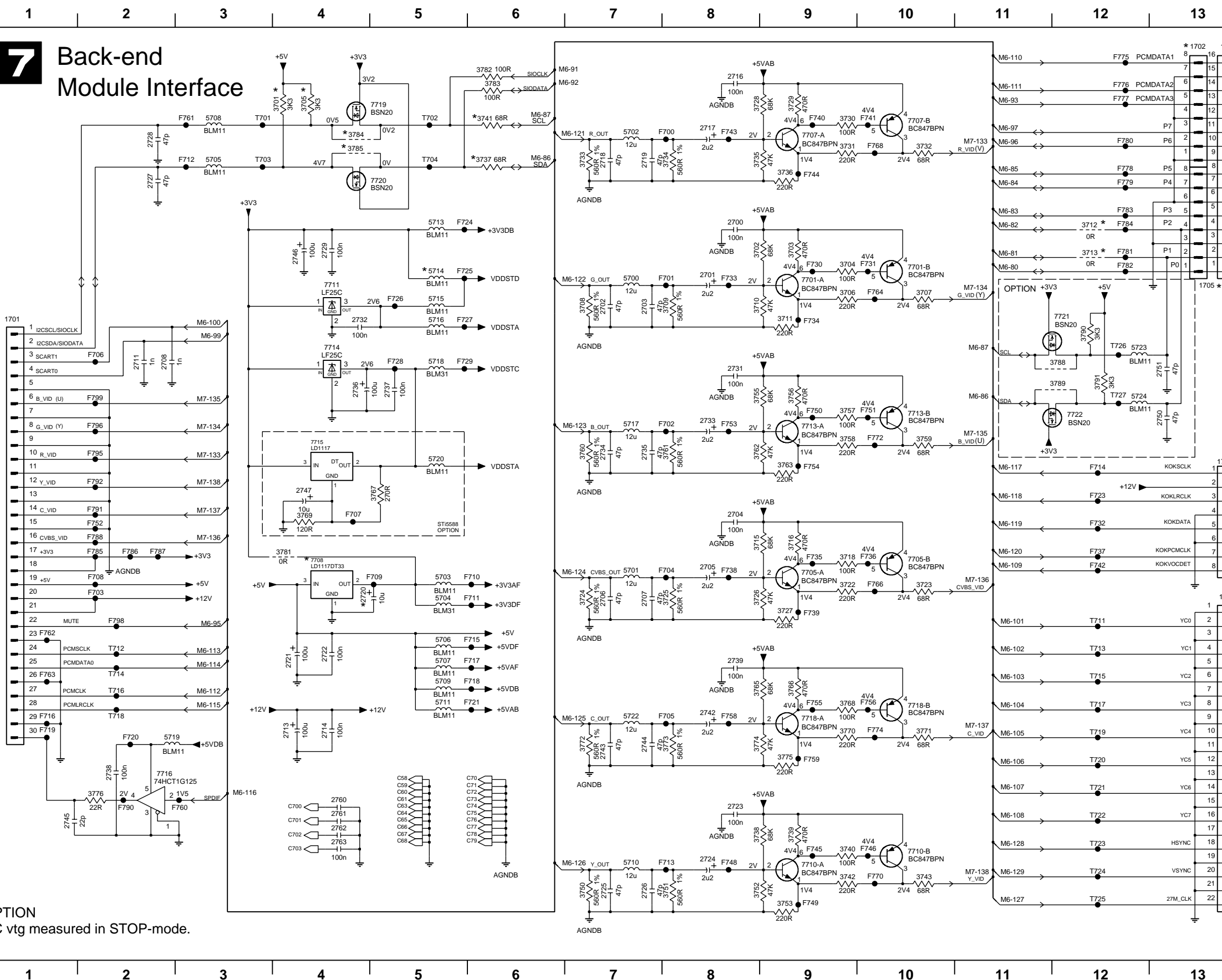
To M5 Backend SDRAM and SERVICE INTERFACE

- 1600 C10
- 2603 B3
- 2604 B4
- 2605 B9
- 2606 C12
- 2607 C12
- 2608 C13
- 2609 C13
- 2610 B11
- 2611 F14
- 2612 F14
- 2613 E14
- 2614 F14
- 2616 I2
- 2618 I3
- 2619 I3
- 2620 I3
- 2621 I3
- 2622 I4
- 2623 I8
- 2624 I8
- 2625 I8
- 2626 I9
- 2627 I9
- 2628 I9
- 2629 I9
- 2630 I10
- 2631 I13
- 2632 I4
- 2633 I10
- 2634 I10
- 2635 I10
- 2636 D14
- 2637 D14
- 2638 G13
- 2639 G14
- 2640 H13
- 2641 H14
- 2642 B8
- 2600 D A9
- 3601 C11
- 3602 B6
- 3603 B6
- 3604 B4
- 3606 B9
- 3607-D B9
- 3608 A6
- 3609 A6
- 3611 B3
- 3614 B4
- 3615 C3
- 3618 B8
- 3619 A9
- 3620 B10
- 3621 A10
- 3622 D5
- 3625 B7
- 3627 C8
- 3628 C11
- 3629 C5
- 3630 B10
- 3631 C11
- 3632 D11
- 3633-A E13
- 3634 F1
- 3635 I7
- 3637 D13
- 3638 D13
- 3639 D13
- 3640-A F13
- 3641 B8
- 3644 H11
- 3645 H11
- 3646 H11
- 3647 H11
- 3648 I13
- 3657 C8
- 5601 C12
- 5602 C12
- 5603 H13
- 5604 I2
- 5605 H10
- 5606 H10
- 7600 D1
- 7603 I12
- 7605-A B3
- 7605-B B2
- F600 B3
- F601 C11
- F602 C6
- F603 C6
- F604 C11
- F605 D11
- F606 D12
- F607 D12
- F608 I13
- F610 H11
- F611 H11
- F612 H11
- F613 H11
- F614 I10
- F615 I10
- F616 I2
- F617 C8
- F618 B4
- F619 B3
- F621 E12
- F622 E12
- F623 E12
- F624 F13
- F625 F13
- F626 F13
- F627 F13
- F628 F13
- F629 F13
- F630 F13
- F631 F13
- F637 C8
- F641 G14
- F642 G14
- F643 G14
- F644 G14
- F645 G14
- F646 G14
- F647 D9
- F648 D9
- F649 D9
- F650 D9
- F651 D9
- F652 D9
- F653 D9
- F654 D9
- F655 B9
- F656 D5
- F900 B10
- F901 B10
- F902 B10
- F903 B10
- F904 B10
- F905 B10
- F906 B10
- F907 B10

SCHEMATIC DIAGRAM

M7 Back-end Module Interface

ANALOG VIDEO & I²S AUDIO OUTPUT



* OPTION
 ▬ DC vtg measured in STOP-mode.

I²S AUDIO OUTPUT

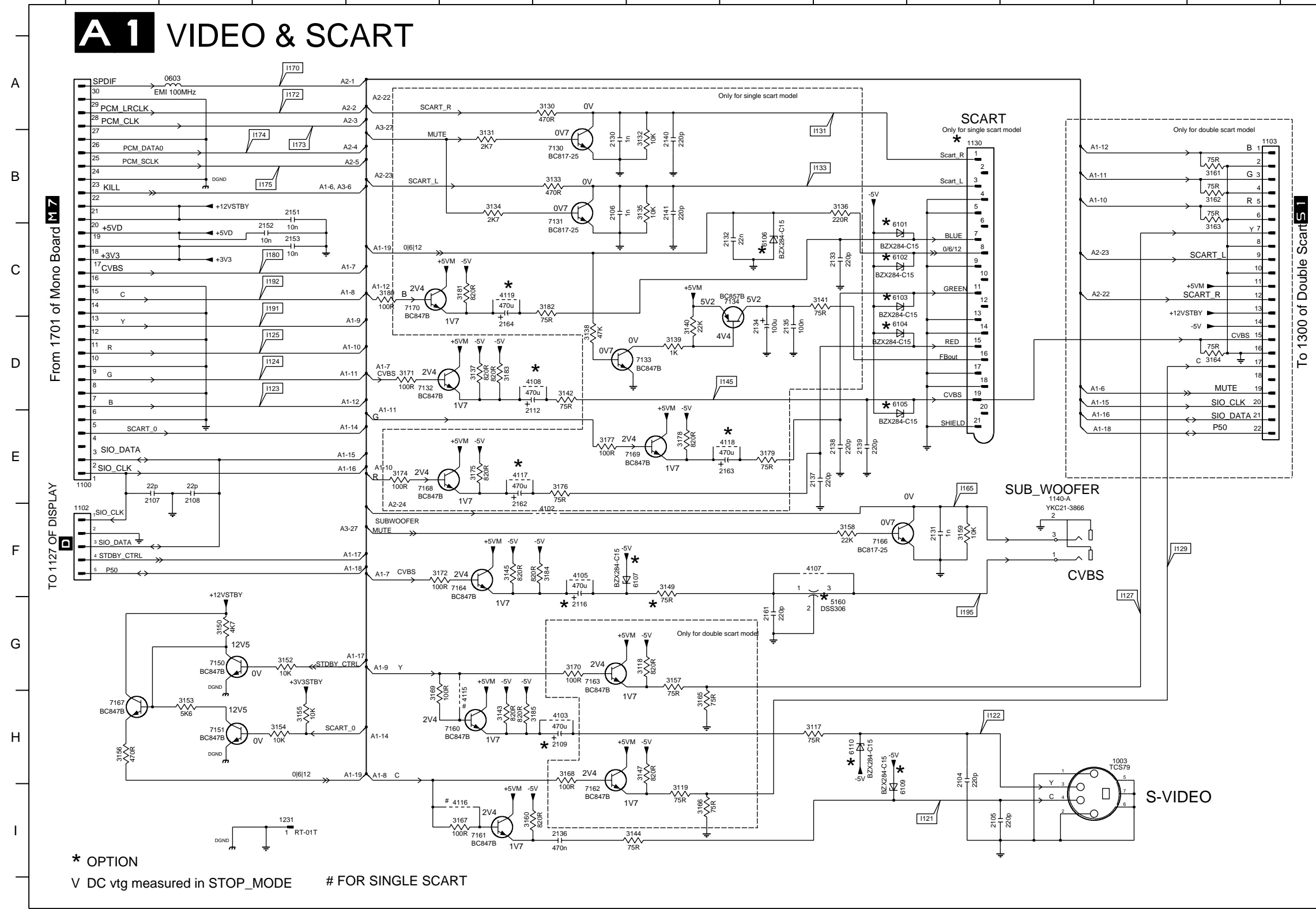
I²S KARAOKE INPUT

DIGITAL VIDEO OUTPUT

C58 H5	3753 I9	F736 F10
C59 H5	F737 F12	
C60 H5	3756 D8	F738 F8
C61 H5	3757 D9	F739 F9
C62 H5	3758 D9	F740 A9
C63 H5	3759 D10	F741 A10
C64 H5	3760 E7	F742 F12
C65 H5	3761 E8	F743 A8
C66 H5	3762 E8	F744 B9
C67 H5	3763 E9	F745 I9
C68 I5	3764 G8	F746 H0
C70 H6	3765 G8	F747 H8
C71 H6	3766 G9	F748 I8
C72 H6	3767 E5	F749 I9
C73 H6	3768 G9	F750 D9
C74 H6	3769 E4	F751 D10
C75 H6	3770 G9	F752 E2
C76 H6	3771 G10	F753 D8
C77 H6	3772 H7	F754 E9
C78 H6	3773 H8	F755 G9
C79 I6	3774 H8	F756 G10
1700 A13	3775 H9	F758 G8
1701 C1	3776 H2	F759 H8
1702 A13	3781 F4	F760 H3
1703 F13	3782 A6	F761 A3
1704 E13	3783 A6	F762 F1
1705 C13	3784 A4	F763 G1
2700 C8	3785 A4	F764 C10
2701 C8	3788 D11	F766 F10
2702 C7	3789 D11	F768 A10
2703 C7	3790 C12	F770 H0
2704 F8	3791 D12	F772 D10
2705 F8	5700 C7	F774 G10
2706 F7	5701 F7	F775 A12
2707 F7	5702 A7	F776 A12
2708 D2	5703 F5	F777 A12
2711 D2	5704 F5	F778 B12
2713 G4	5705 B3	F779 B12
2714 G4	5706 G5	F780 A12
2716 A8	5707 G5	F781 C12
2717 A8	5708 A3	F782 C12
2718 B7	5709 G5	F783 B12
2719 B7	5710 B7	F784 B12
2720 F4	5711 G5	F785 F2
2721 G4	5713 B5	F786 F2
2722 G4	5714 C5	F787 F2
2723 I8	5715 C5	F788 E2
2724 I8	5716 C5	F789 H2
2725 I7	5717 D7	F791 E2
2726 I7	5718 D5	F792 E2
2727 B2	5719 H2	F795 E2
2728 A2	5720 E5	F796 D2
2729 C4	5722 G7	F798 F2
2731 D8	5723 D12	F799 D2
2732 C4	5724 D12	T701 A3
2733 D8	7701-A C9	T702 A5
2734 E7	7701-B C10	T703 B3
2735 E7	7705-A F9	T704 B5
2736 D4	7705-B F10	T711 F12
2737 D5	7707-A A9	T712 G2
2738 H2	7707-B A10	T713 G12
2739 G8	7708 F4	T714 G2
2742 G8	7710-A I9	T715 G12
2743 H7	7710-B I10	T716 G2
2744 H7	7711 C4	T717 G12
2745 H1	7713-A D9	T718 G2
2746 C4	7713-B D10	T719 G12
2747 E4	7714 D4	T720 H12
2750 D13	7715 D4	T721 H12
2751 D13	7716 H2	T722 H12
2760 H4	7718-A G9	T723 H2
2761 H4	7718-B G10	T724 H2
2762 H4	7719 A5	T725 H2
2763 I4	7720 B5	T726 C12
3701 A4	7721 C12	T727 D12
3702 B8	7722 D12	
3703 B9	C700 H4	
3704 C9	C701 H4	
3705 A4	C702 H4	
3706 C9	C703 I4	
3707 C10	F700 A8	
3708 C7	F701 C8	
3709 C8	F702 D8	
3710 C8	F703 F2	
3711 C9	F704 F8	
3712 B12	F705 G8	
3713 C12	F706 D2	
3715 E8	F707 E4	
3716 E9	F708 F2	
3718 F9	F709 F5	
3722 F9	F710 F6	
3723 F10	F711 F6	
3724 F7	F712 B3	
3725 F8	F713 I8	
3726 F8	F714 E12	
3727 F9	F715 G6	
3728 A8	F716 G1	
3729 A9	F717 G6	
3730 A9	F718 G6	
3731 A9	F719 G1	
3732 A10	F720 H2	
3733 B7	F721 G6	
3734 B8	F723 E12	
3735 B8	F724 B5	
3736 B9	F725 C5	
3737 B6	F726 C5	
3738 H8	F727 C5	
3739 H9	F728 D5	
3740 I9	F729 D5	
3741 A6	F730 C9	
3742 I9	F731 C10	
3743 I10	F732 C8	
3750 I7	F733 C8	
3751 I8	F734 C9	
3752 I8	F735 F9	

SCHEMATIC DIAGRAM (G, B models)

A1 VIDEO & SCART



- 1003 H12
- 1100 E1
- 1102 F1
- 1103 B13
- 1130 S10
- 1140-A E11
- 1231 I3
- 2104 H10
- 2105 I10
- 2106 B6
- 2107 E1
- 2108 E2
- 2109 H6
- 2112 D6
- 2116 G6
- 2130 B6
- 2131 F10
- 2132 C8
- 2133 C9
- 2134 D8
- 2135 D8
- 2136 I6
- 2137 E9
- 2138 E9
- 2139 E9
- 2140 B7
- 2141 B7
- 2151 B3
- 2152 C3
- 2153 C3
- 2154 A2
- 2161 G8
- 2162 E5
- 2163 E8
- 2164 D5
- 3117 H9
- 3118 G7
- 3119 I7
- 3130 A6
- 3131 B5
- 3132 B7
- 3133 B6
- 3134 B5
- 3135 B7
- 3136 B9
- 3137 D5
- 3138 D6
- 3139 D7
- 3140 D7
- 3141 C9
- 3142 D6
- 3143 H5
- 3144 I7
- 3145 F5
- 3147 H7
- 3149 F7
- 3150 G2
- 3152 C3
- 3153 H2
- 3154 H3
- 3155 H3
- 3156 H1
- 3157 G7
- 3158 F9
- 3159 F10
- 3160 I5
- 3161 B13
- 3162 B13
- 3163 C13
- 3176 B13
- 3177 H7
- 3178 H7
- 3179 I5
- 3186 H6
- 3189 H4
- 3170 G6
- 3182 G6
- 3171 D4
- 3172 F5
- 3173 A2
- 3174 E4
- 3175 E5
- 3176 E6
- 3177 E6
- 3178 E7
- 3179 E8
- 3180 C4
- 3181 C5
- 3182 C5
- 3183 D5
- 3184 F6
- 3185 H5
- 4102 F6
- 4103 H6
- 4105 F6
- 4107 F9
- 4108 D6
- 4115 H5
- 4116 I5
- 4117 E5
- 4118 E8
- 4119 C5
- 5180 G9
- 6101 C9
- 6102 C9
- 6103 C9
- 6104 D9
- 6105 D9
- 6106 C8
- 6107 F7
- 6109 I9
- 6110 H9
- 7130 B6
- 7131 C6
- 7132 D4
- 7133 D7

DIVERSITY TABLE FOR DIAGRAM A1

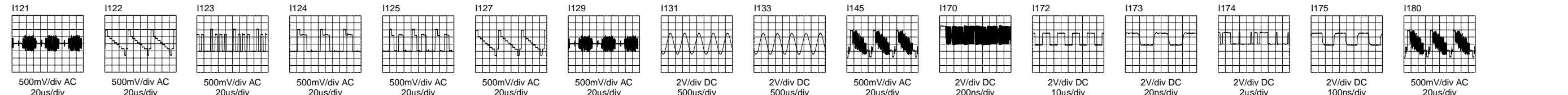
ITEM NO	DESCRIPTION	DVD7230X1	DVD7430X1
1103	CON BM V22P F1.00 FFC 0.3 B	X	X
1130	SOC EURO H 21P F BK L-GRND B	X	X
2106	CER1 0603 NP0 25V 1N COL	X	X
2112	ELCAP 16V S 470U PM20 COL A	X	X
2162	CER2 0603 NP0 25V 1N COL	X	X
2132	CER2 0603 X7R 25V 22N COL	X	X
2163	ELCAP 25V S 100U PM20 COL A	X	X
2164	CER2 0603 X7R 16V 100N COL	X	X
2140	CER1 0603 NP0 50V 220P COL	X	X
2141	CER1 0603 NP0 50V 220P COL	X	X
2162	ELCAP 16V S 470U PM20 COL A	X	X
2164	ELCAP 16V S 470U PM20 COL A	X	X
3118	RST SM 0603 560R PMS COL	X	X
3134	RST SM 0603 68R PMS COL	X	X
3135	RST SM 0603 470R PMS COL	X	X
3136	RST SM 0603 2K7 PMS COL	X	X
3137	RST SM 0603 10K PMS COL	X	X
3133	RST SM 0603 470R PMS COL	X	X
3134	RST SM 0603 2K7 PMS COL	X	X
3135	RST SM 0603 10K PMS COL	X	X
3136	RST SM 0603 220R PMS COL	X	X
3137	RST SM 0603 560R PMS COL	X	X
3138	RST SM 0603 820R PMS COL	X	X
3139	RST SM 0603 1K PMS COL	X	X
3140	RST SM 0603 22K PMS COL	X	X
3141	RST SM 0603 75R PMS COL	X	X
3142	RST SM 0603 100R PMS COL	X	X
3143	RST SM 0603 820R PMS COL	X	X
3144	RST SM 0603 47K PMS COL	X	X
3145	RST SM 0603 1K PMS COL	X	X
3147	RST SM 0603 75R PMS COL	X	X
3149	RST SM 0603 560R PMS COL	X	X
3157	RST SM 0603 68R PMS COL	X	X
3152	RST SM 0603 75R PMS COL	X	X
3153	RST SM 0603 75R PMS COL	X	X
3154	RST SM 0603 75R PMS COL	X	X
3155	RST SM 0603 75R PMS COL	X	X
3156	RST SM 0603 75R PMS COL	X	X
3157	RST SM 0603 75R PMS COL	X	X
3158	RST SM 0603 100R PMS COL	X	X
3159	RST SM 0603 100R PMS COL	X	X
3160	RST SM 0603 100R PMS COL	X	X
3161	RST SM 0603 100R PMS COL	X	X
3162	RST SM 0603 100R PMS COL	X	X
3163	RST SM 0603 820R PMS COL	X	X
3177	RST SM 0603 100R PMS COL	X	X
3178	RST SM 0603 820R PMS COL	X	X
3179	RST SM 0603 68R PMS COL	X	X
3186	RST SM 0603 100R PMS COL	X	X
3181	RST SM 0603 100R PMS COL	X	X
3182	RST SM 0603 68R PMS COL	X	X
3171	RST SM 0603 820R PMS COL	X	X
4108	RST SM 0603 JUMP_ 0R05 COL	X	X
3172	RST SM 0603 JUMP_ 0R05 COL	X	X
4116	RST SM 0603 JUMP_ 0R05 COL	X	X
7130	TRA SIG SM BC817-25 (COL) R	X	X
7131	TRA SIG SM BC817-25 (COL) R	X	X
7133	TRA SIG SM BC847B (COL) R	X	X
7137	TRA SIG SM BC847B (COL) R	X	X
7142	TRA SIG SM BC847B (COL) R	X	X
7163	TRA SIG SM BC847B (COL) R	X	X
7168	TRA SIG SM BC847B (COL) R	X	X
7169	TRA SIG SM BC847B (COL) R	X	X
3182	TRA SIG SM BC847B (COL) R	X	X
3183	TRA SIG SM BC847B (COL) R	X	X
3184	TRA SIG SM BC847B (COL) R	X	X

To 1300 of Double Scart

From 1701 of Mono Board

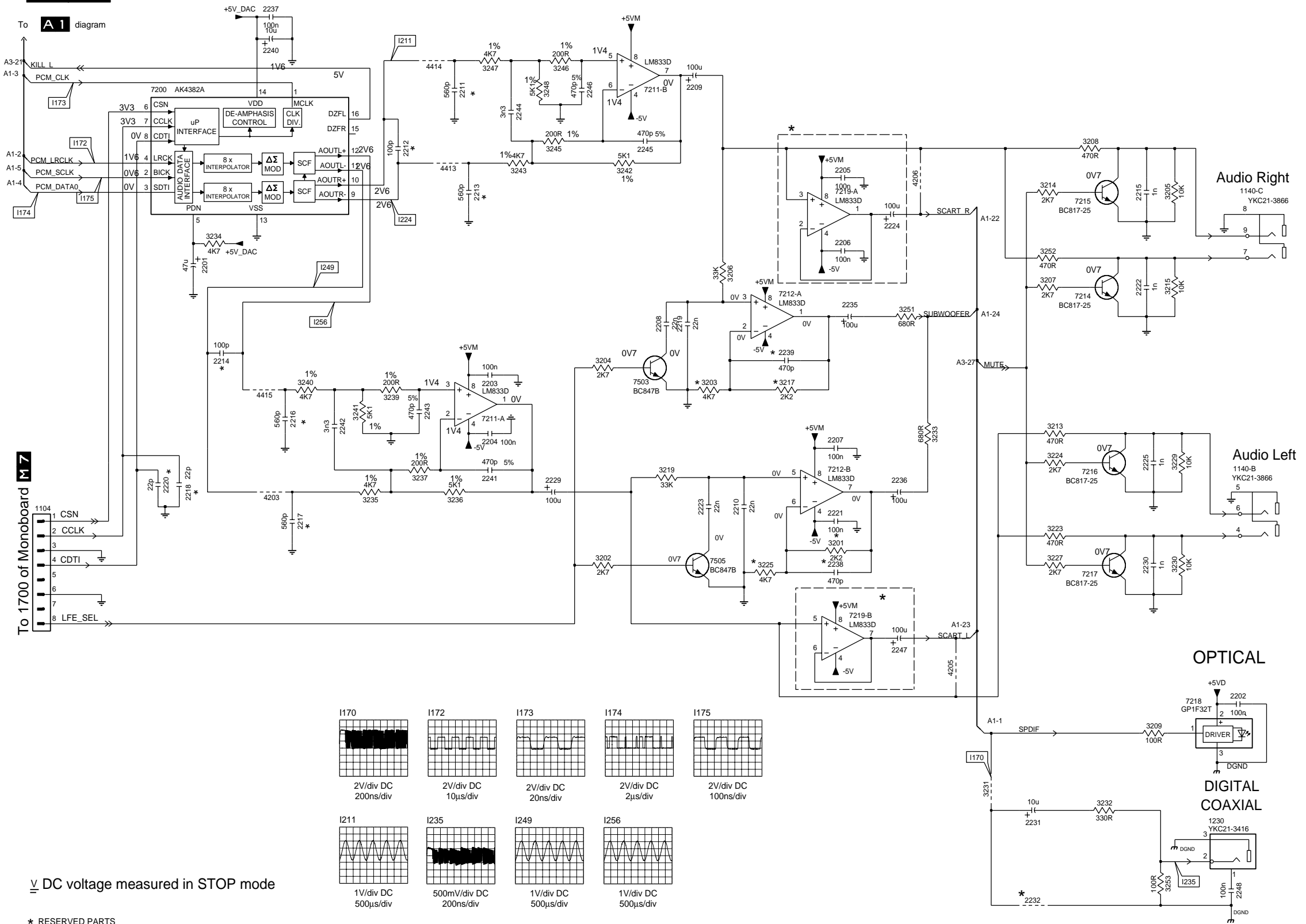
TO 1127 OF DISPLAY

* OPTION
V DC vtg measured in STOP_MODE # FOR SINGLE SCART



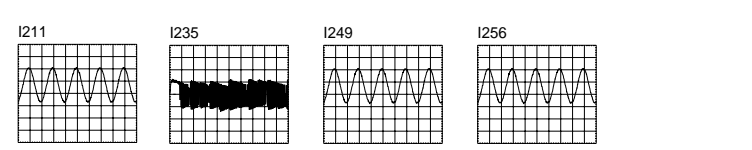
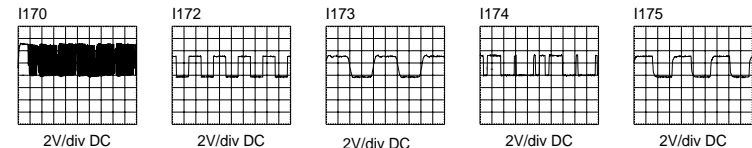
SCHEMATIC DIAGRAM (G, B models)

A2 AUDIO



To A1 diagram

To 1700 of Monboard M7



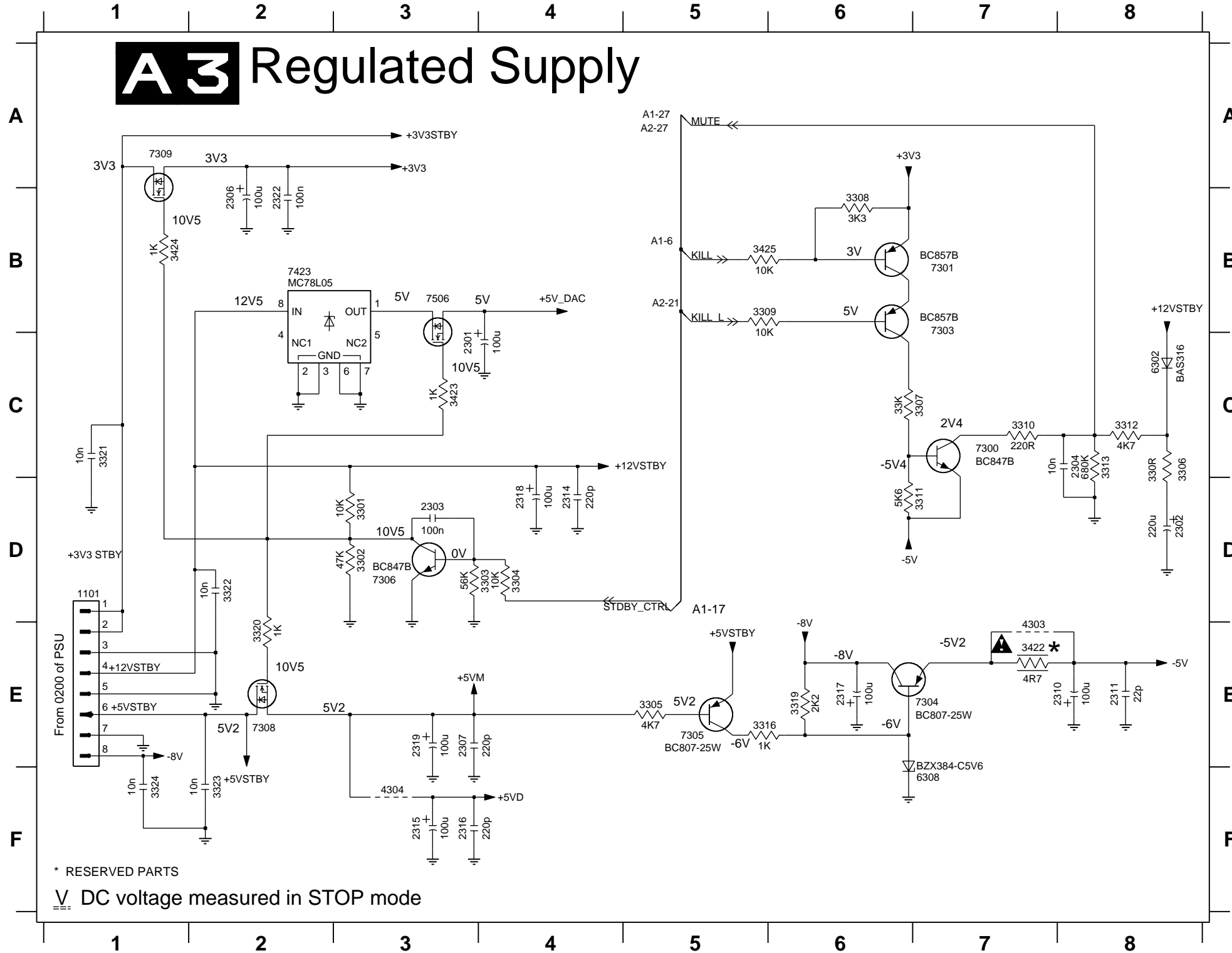
DC voltage measured in STOP mode

* RESERVED PARTS

- 1104 F1
- 1140-B E13
- 1140-C B13
- 1230 I13
- 2201 C2
- 2202 G13
- 2203 D5
- 2204 E5
- 2205 B9
- 2206 C9
- 2207 E9
- 2208 D7
- 2209 A7
- 2210 F8
- 2211 A5
- 2212 B5
- 2213 B5
- 2214 D3
- 2215 B12
- 2216 E3
- 2217 F3
- 2218 E2
- 2219 D7
- 2220 E2
- 2221 F9
- 2222 C12
- 2223 F8
- 2224 C9
- 2225 E12
- 2229 E6
- 2230 F12
- 2231 I11
- 2232 I11
- 2235 D9
- 2236 E10
- 2237 A3
- 2238 F9
- 2239 D8
- 2240 A3
- 2241 E5
- 2242 E4
- 2243 E5
- 2244 B6
- 2245 B7
- 2246 A6
- 2247 G10
- 2248 I13
- 3201 F9
- 3202 F7
- 3203 D8
- 3204 D7
- 3205 B12
- 3206 C8
- 3207 C11
- 3208 B11
- 3209 H12
- 3213 E11
- 3214 B11
- 3215 C12
- 3217 D8
- 3219 E7
- 3223 F11
- 3224 E11
- 3225 F8
- 3227 F11
- 3229 F12
- 3230 F12
- 3231 I10
- 3232 I12
- 3233 E10
- 3234 C3
- 3235 E4
- 3236 E5
- 3237 E5
- 3238 D4
- 3240 D4
- 3241 E4
- 3242 B7
- 3243 B6
- 3245 B6
- 3246 A6
- 3247 A5
- 3248 A6
- 3251 D10
- 3252 C11
- 3253 I12
- 4203 E3
- 4205 G10
- 4206 B10
- 4413 B5
- 4414 A5
- 4415 D3
- 7200 A2
- 7211-A E5
- 7211-B A7
- 7212-A C8
- 7212-B E9
- 7214 C11
- 7215 C11
- 7216 E12
- 7217 F12
- 7218 G12
- 7219-A B9
- 7219-B G9
- 7503 D7
- 7505 F8

■ SCHEMATIC DIAGRAM (G, B models)

A3 Regulated Supply



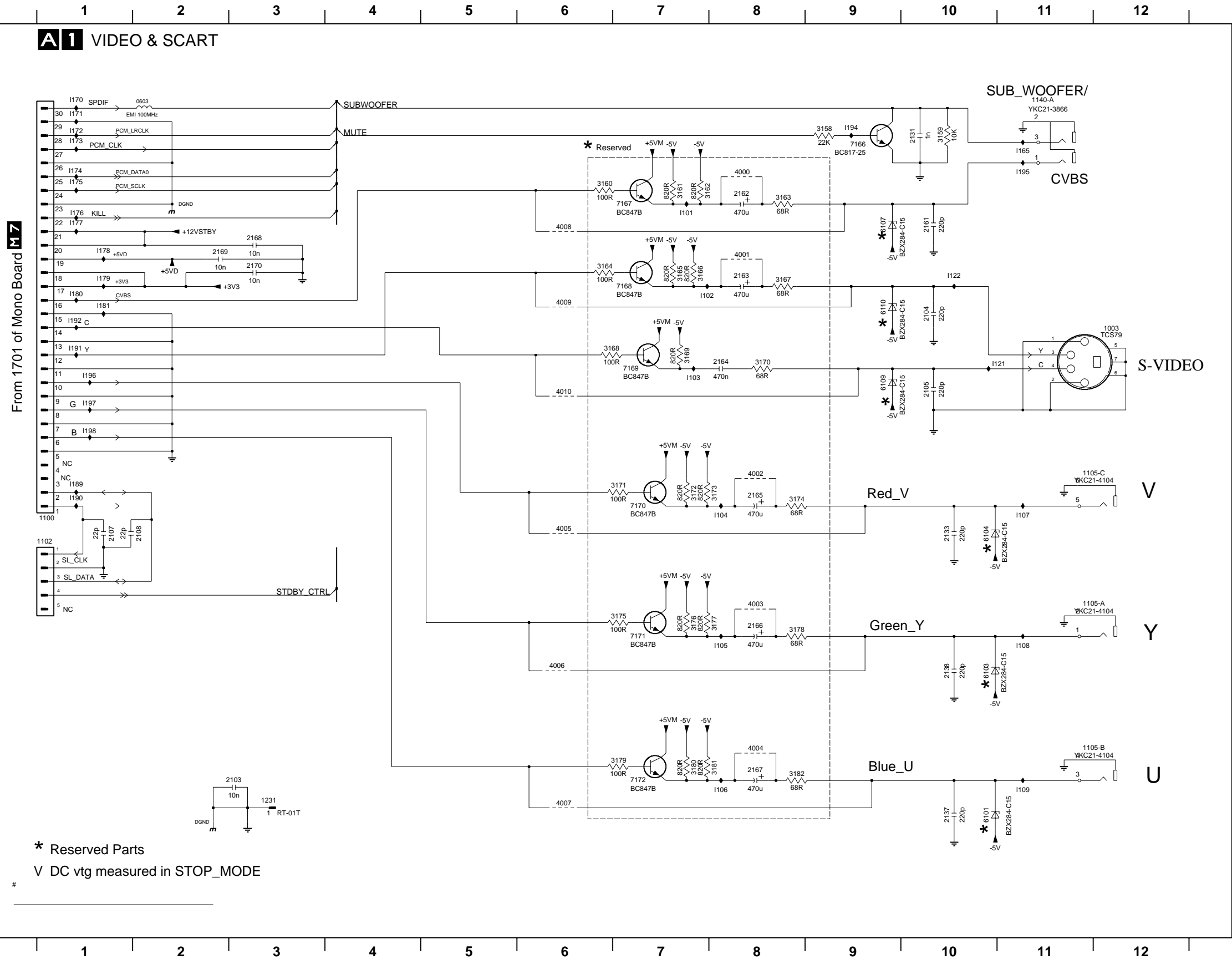
* RESERVED PARTS

V DC voltage measured in STOP mode

- 1101 D1
- 2301 C3
- 2302 D8
- 2303 D3
- 2304 C8
- 2306 B2
- 2307 E3
- 2310 E8
- 2311 E8
- 2314 D4
- 2315 F3
- 2316 F3
- 2317 E6
- 2318 D4
- 2319 E3
- 2322 B2
- 3301 D3
- 3302 D3
- 3303 D4
- 3304 D4
- 3305 E5
- 3306 C8
- 3307 C7
- 3308 B6
- 3309 B5
- 3310 C7
- 3311 D7
- 3312 C8
- 3313 C8
- 3316 E5
- 3319 E6
- 3320 E2
- 3321 C1
- 3322 D2
- 3323 F2
- 3324 F1
- 3422 E7
- 3423 C3
- 3424 B1
- 3425 B5
- 4303 E7
- 4304 F3
- 6302 C8
- 6308 F7
- 7300 C7
- 7301 B7
- 7303 B7
- 7304 E7
- 7305 E5
- 7306 D3
- 7308 E2
- 7309 A1
- 7423 B2
- 7506 B3

SCHEMATIC DIAGRAM (U, C, A, R, T, P models)

A1 VIDEO & SCART

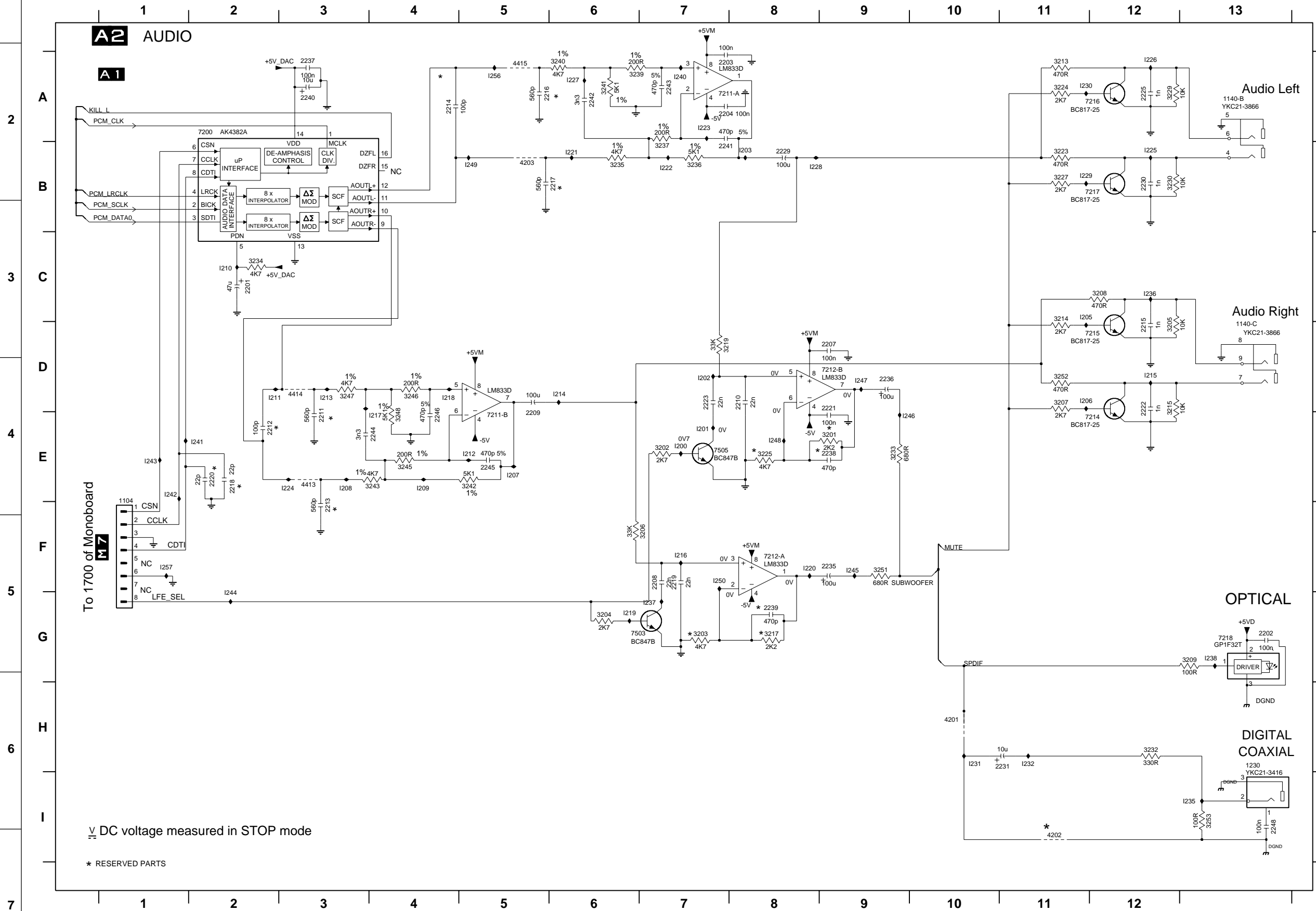


- 1003 C12
- 1100 E1
- 1102 F1
- 1105-A F12
- 1105-B H12
- 1105-C E12
- 1140-A A11
- 1231 H3
- 2103 H3
- 2104 C10
- 2105 D10
- 2107 F1
- 2108 F2
- 2131 A10
- 2133 F10
- 2137 H10
- 2138 G10
- 2161 B10
- 2162 B8
- 2163 C8
- 2164 D8
- 2165 E8
- 2166 G8
- 2167 H8
- 2168 B3
- 2169 C2
- 2170 C3
- 2171 A2
- 3157 A2
- 3158 A9
- 3159 A10
- 3160 B6
- 3161 B7
- 3162 B7
- 3163 B8
- 3164 C6
- 3165 C7
- 3166 C7
- 3167 C8
- 3168 D6
- 3169 D7
- 3170 D8
- 3171 E7
- 3172 F7
- 3173 E8
- 3174 E8
- 3175 F7
- 3176 F7
- 3177 F8
- 3178 G8
- 3179 H7
- 3180 H7
- 3181 H8
- 3182 H8
- 4000 B8
- 4001 C8
- 4002 E8
- 4003 F8
- 4004 H8
- 4005 F8
- 4006 G6
- 4007 H6
- 4008 B6
- 4009 C6
- 4010 D6
- 6101 H10
- 6103 G10
- 6104 F10
- 6107 B9
- 6109 D9
- 6110 C9
- 7166 A9
- 7167 B7
- 7168 C7
- 7169 D7
- 7170 E7
- 7171 G7
- 7172 H7

* Reserved Parts

V DC vtg measured in STOP_MODE

SCHEMATIC DIAGRAM (U, C, A, R, T, P models)

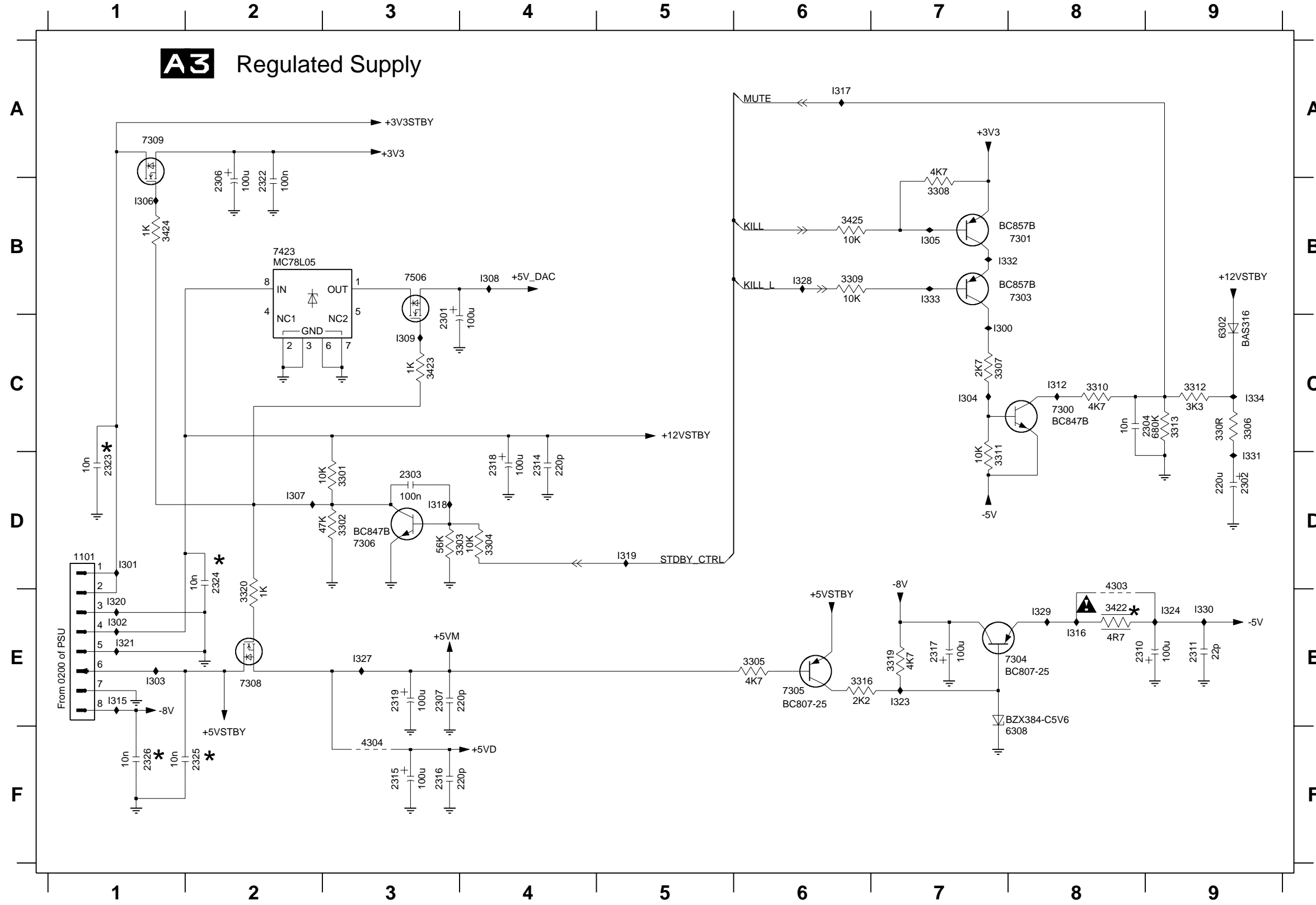


- 1104 F1
- 1140-B A13
- 1140-C D13
- 1230 H13
- 2201 C2
- 2202 G13
- 2203 A7
- 2204 A7
- 2207 D9
- 2208 F7
- 2209 D5
- 2210 D8
- 2211 E3
- 2212 E2
- 2213 F3
- 2214 A4
- 2215 D12
- 2216 A5
- 2217 B6
- 2218 E2
- 2219 F7
- 2220 E2
- 2221 D9
- 2222 D12
- 2223 D7
- 2225 A12
- 2229 B8
- 2230 B12
- 2231 H11
- 2235 F9
- 2236 D9
- 2237 A3
- 2238 E9
- 2239 G8
- 2240 A3
- 2241 B7
- 2242 A6
- 2243 A7
- 2244 E4
- 2245 E5
- 2246 E4
- 2248 H3
- 3201 E9
- 3202 E7
- 3203 G7
- 3204 G6
- 3205 D12
- 3206 F7
- 3207 D11
- 3208 C12
- 3209 G13
- 3213 A11
- 3214 C11
- 3215 D12
- 3217 G8
- 3219 D7
- 3223 B11
- 3224 A11
- 3225 E8
- 3227 B11
- 3229 A12
- 3230 B12
- 3232 H12
- 3233 E9
- 3234 C2
- 3235 B6
- 3236 B7
- 3237 B7
- 3239 A6
- 3240 A6
- 3241 A6
- 3242 E5
- 3243 E4
- 3245 E4
- 3246 D4
- 3247 D3
- 3248 E4
- 3251 F9
- 3252 D11
- 3253 H13
- 4201 H10
- 4202 H11
- 4203 B5
- 4413 E3
- 4414 D3
- 4415 A5
- 7200 A2
- 7211-A A7
- 7211-B E5
- 7212-A F8
- 7212-B D9
- 7214 E12
- 7215 D12
- 7216 A12
- 7217 B12
- 7218 G13
- 7503 G6
- 7505 E7

 DC voltage measured in STOP mode

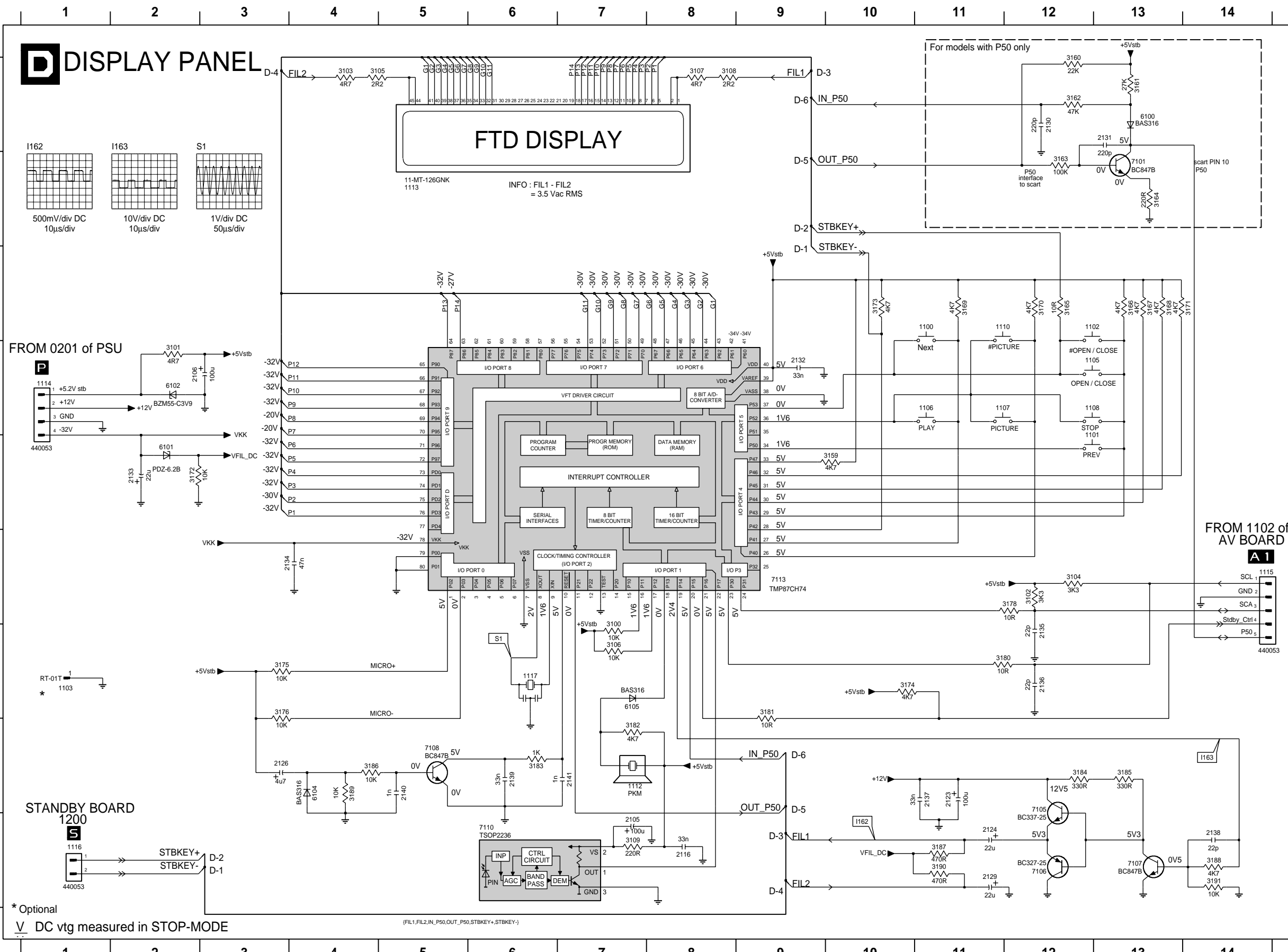
* RESERVED PARTS

■ SCHEMATIC DIAGRAM (U, C, A, R, T, P models)



- 1101 D1
- 2301 C3
- 2302 D9
- 2303 D3
- 2304 C8
- 2306 B2
- 2307 E3
- 2310 E8
- 2311 E9
- 2314 D4
- 2315 F3
- 2316 F3
- 2317 E7
- 2318 D4
- 2319 E3
- 2322 B2
- 2323 D1
- 2324 D2
- 2325 F2
- 2326 F1
- 3301 D3
- 3302 D3
- 3303 D3
- 3304 D4
- 3305 E6
- 3306 C9
- 3307 C7
- 3308 B7
- 3309 B6
- 3310 C8
- 3311 D7
- 3312 C9
- 3313 C9
- 3316 E6
- 3319 E7
- 3320 E2
- 3422 E8
- 3423 C3
- 3424 B1
- 3425 B6
- 4303 E8
- 4304 F3
- 6302 C9
- 6308 F8
- 7300 C8
- 7301 B8
- 7303 B8
- 7304 E7
- 7305 E6
- 7306 D3
- 7308 E2
- 7309 A1
- 7423 B2
- 7506 B3
- I300 C7
- I301 D1
- I302 E1
- I303 E1
- I304 C7
- I305 B7
- I306 B1
- I307 D2
- I308 B4
- I309 C3
- I312 C8
- I315 E1
- I316 E8
- I317 A6
- I318 D3
- I319 D5
- I320 E1
- I321 E1
- I323 E7
- I324 E9
- I327 E3
- I328 B6
- I329 E8
- I330 E9
- I331 D9
- I332 B7
- I333 B7
- I334 C9

SCHEMATIC DIAGRAM



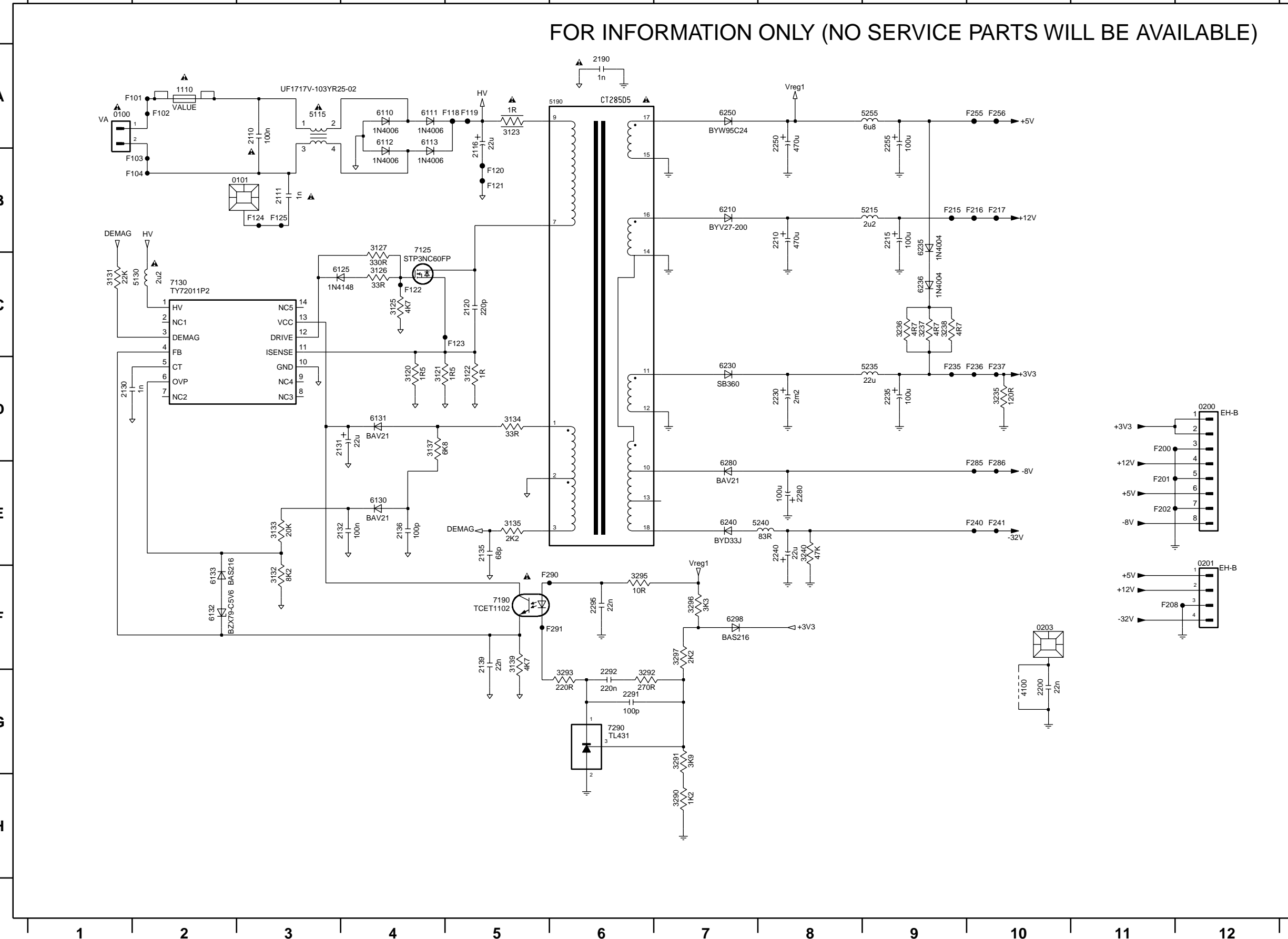
- 1100 C11
- 1101 E12
- 1102 C12
- 1103 G1
- 1105 D12
- 1106 D11
- 1107 D11
- 1108 D12
- 1110 C11
- 1112 H7
- 1113 B5
- 1114 D1
- 1115 F14
- 1116 I1
- 1117 G6
- 2105 I7
- 2106 D2
- 2116 I8
- 2123 H11
- 2124 I11
- 2126 H3
- 2129 I11
- 2130 A12
- 2131 A13
- 2132 D9
- 2133 E2
- 2134 F4
- 2135 G12
- 2136 G12
- 2137 H11
- 2138 I14
- 2139 H6
- 2140 H5
- 2141 H7
- 3100 G7
- 3101 D2
- 3102 F12
- 3103 A4
- 3104 F12
- 3105 A4
- 3106 G7
- 3107 A8
- 3108 A8
- 3109 I7
- 3159 E10
- 3160 A12
- 3161 A13
- 3162 A12
- 3163 B12
- 3164 B13
- 3165 C12
- 3166 C13
- 3167 C13
- 3168 C13
- 3169 C11
- 3170 C12
- 3171 C14
- 3172 E2
- 3173 C10
- 3174 G10
- 3175 G3
- 3176 G3
- 3178 F12
- 3180 G11
- 3181 G9
- 3182 H7
- 3183 H6
- 3184 H12
- 3185 H13
- 3186 H4
- 3187 I11
- 3188 H4
- 3189 H4
- 3190 I11
- 3191 I14
- 6100 A13
- 6101 E2
- 6102 D2
- 6104 H4
- 6105 G7
- 7101 B13
- 7105 H12
- 7106 H2
- 7107 H3
- 7108 H5
- 7110 I6
- 7113 F9

* Optional
 V DC vtg measured in STOP-MODE
 (FIL1, FIL2, IN_P50, OUT_P50, STBKEY+, STBKEY-)

SCHEMATIC DIAGRAM (G, B models only)

FOR INFORMATION ONLY (NO SERVICE PARTS WILL BE AVAILABLE)

- 0100 A1
- 0101 B2
- 0200 D12
- 0201 F12
- 0203 F10
- 1110 A2
- 2110 A3
- 2111 B3
- 2116 B5
- 2120 C5
- 2130 D1
- 2131 D4
- 2132 E4
- 2135 E5
- 2136 E4
- 2139 F5
- 2190 A6
- 2200 G10
- 2210 B8
- 2215 B9
- 2230 D8
- 2235 D9
- 2240 E8
- 2250 A8
- 2255 A9
- 2280 E8
- 2291 G6
- 2292 G6
- 2295 F6
- 3120 D4
- 3121 D4
- 3122 D5
- 3123 A5
- 3125 C4
- 3126 C4
- 3127 B4
- 3131 C1
- 3132 F3
- 3133 E3
- 3134 D5
- 3135 E5
- 3137 D4
- 3139 F5
- 3235 D10
- 3236 C9
- 3237 C9
- 3238 C9
- 3240 E8
- 3290 H7
- 3291 G7
- 3292 G6
- 3293 G6
- 3295 F6
- 3296 F7
- 3297 F7
- 4100 G10
- 5115 A3
- 5130 C2
- 5190 A6
- 5215 B9
- 5235 D9
- 5240 E8
- 5255 A9
- 6110 A4
- 6111 A4
- 6112 A4
- 6113 A4
- 6125 C4
- 6130 E4
- 6131 D4
- 6132 F2
- 6133 F2
- 6210 B7
- 6230 D7
- 6235 B9
- 6236 C9
- 6240 E7
- 6250 A7
- 6280 E7
- 6298 F7
- 7125 C4
- 7130 C2
- 7190 F5
- 7290 G6
- F101 A2
- F102 A2
- F103 B2
- F104 B2
- F118 A5
- F119 A5
- F120 B5
- F121 B5
- F122 C4
- F123 C5
- F124 B3
- F125 B3
- F200 D11
- F201 E11
- F202 E11
- F208 F11
- F215 B9
- F216 B10
- F217 B10
- F235 D9
- F236 D10
- F237 D10
- F240 E10
- F241 E10
- F245 A10
- F255 A10
- F256 A10
- F285 E10
- F286 E10
- F290 F6
- F291 F6



PARTS LIST

■ ELECTRICAL PARTS

■ WARNING

Components having special characteristics are marked \triangle and must be replaced with parts having specifications equal to those originally installed.

- For the parts No. of the chip carbon resistors, refer to last page of ELECTRICAL PARTS LIST.

ABBREVIATIONS IN THIS LIST ARE AS FOLLOWS:

C.A.EL.CHP	: CHIP ALUMI.ELECTROLYTIC CAP	L.EMIT	: LIGHT EMITTING MODULE
C.CE	: CERAMIC CAP	LED.DSPLY	: LED DISPLAY
C.CE.ARRAY	: CERAMIC CAP ARRAY	LED.INFRD	: LED,INFRARED
C.CE.CHP	: CHIP CERAMIC CAP	MODUL.RF	: MODULATOR,RF
C.CE.ML	: MULTILAYER CERAMIC CAP	PHOT.CPL	: PHOTO COUPLER
C.CE.M.CHP	: CHIP MULTILAYER CERAMIC CAP	PHOT.INTR	: PHOTO INTERRUPTER
C.CE.SAFTY	: RECOGNIZED CERAMIC CAP	PHOT.RFLCT	: PHOTO REFLECTOR
C.CE.TUBLR	: CERAMIC TUBULAR CAP	PIN.TEST	: PIN,TEST POINT
C.CE.SMI	: SEMI CONDUCTIVE CERAMIC CAP	PLST.RIVET	: PLASTIC RIVET
C.EL	: ELECTROLYTIC CAP	R.ARRAY	: RESISTOR ARRAY
C.MICA	: MICA CAP	R.CAR.	: CARBON RESISTOR
C.ML.FLM	: MULTILAYER FILM CAP	R.CAR.CHP	: CHIP RESISTOR
C.MP	: METALLIZED PAPER CAP	R.CAR.FP	: FLAME PROOF CARBON RESISTOR
C.MYLAR	: MYLAR FILM CAP	R.FUS	: FUSABLE RESISTOR
C.MYLAR.ML	: MULTILAYER MYLAR FILM CAP	R.MTL.CHP	: CHIP METAL FILM RESISTOR
C.PAPER	: PAPER CAPACITOR	R.MTL.FLM	: METAL FILM RESISTOR
C.PLS	: POLYSTYRENE FILM CAP	R.MTL.OXD	: METAL OXIDE FILM RESISTOR
C.POL	: POLYESTER FILM CAP	R.MTL.PLAT	: METAL PLATE RESISTOR
C.POLY	: POLYETHYLENE FILM CAP	RSNR.CE	: CERAMIC RESONATOR
C.PP	: POLYPROPYLENE FILM CAP	RSNR.CRYS	: CRYSTAL RESONATOR
C.TNTL	: TANTALUM CAP	R.TW.CEM	: TWIN CEMENT FIXED RESISTOR
C.TNTL.CHP	: CHIP TANTALUM CAP	R.WW	: WIRE WOUND RESISTOR
C.TRIM	: TRIMMER CAP	SCR.BND.HD	: BIND HEAD B-TITE SCREW
CN	: CONNECTOR	SCR.BW.HD	: BW HEAD TAPPING SCREW
CN.BS.PIN	: CONNECTOR,BASE PIN	SCR.CUP	: CUP TITE SCREW
CN.CANNON	: CONNECTOR,CANNON	SCR.TERM	: SCREW TERMINAL
CN.DIN	: CONNECTOR,DIN	SCR.TR	: SCREW,TRANSISTOR
CN.FLAT	: CONNECTOR,FLAT CABLE	SUPRT.PCB	: SUPPORT,P.C.B.
CN.POST	: CONNECTOR,BASE POST	SURG.PRTCT	: SURGE PROTECTOR
COIL.MX.AM	: COIL,AM MIX	SW.TACT	: TACT SWITCH
COIL.AT.FM	: COIL,FM ANTENNA	SW.LEAF	: LEAF SWITCH
COIL.DT.FM	: COIL,FM DETECT	SW.LEVER	: LEVER SWITCH
COIL.MX.FM	: COIL,FM MIX	SW.MICRO	: MICRO SWITCH
COIL.OUTPT	: OUTPUT COIL	SW.PUSH	: PUSH SWITCH
DIOD.ARRAY	: DIODE ARRAY	SW.RT.ENC	: ROTARY ENCODER
DIODE.BRG	: DIODE BRIDGE	SW.RT.MTR	: ROTARY SWITCH WITH MOTOR
DIODE.CHP	: CHIP DIODE	SW.RT	: ROTARY SWITCH
DIODE.VAR	: VARACTOR DIODE	SW.SLIDE	: SLIDE SWITCH
DIOD.Z.CHP	: CHIP ZENER DIODE	TERM.SP	: SPEAKER TERMINAL
DIODE.ZENR	: ZENER DIODE	TERM.WRAP	: WRAPPING TERMINAL
DSCR.CE	: CERAMIC DISCRIMINATOR	THRMST.CHP	: CHIP THERMISTOR
FER.BEAD	: FERRITE BEADS	TR.CHP	: CHIP TRANSISTOR
FER.CORE	: FERRITE CORE	TR.DGT	: DIGITAL TRANSISTOR
FET.CHP	: CHIP FET	TR.DGT.CHP	: CHIP DIGITAL TRANSISTOR
FL.DSPLY	: FLUORESCENT DISPLAY	TRANS	: TRANSFORMER
FLTR.CE	: CERAMIC FILTER	TRANS.PULS	: PULSE TRANSFORMER
FLTR.COMB	: COMB FILTER MODULE	TRANS.PWR	: POWER TRANSFORMER ASS'Y
FLTR.LC.RF	: LC FILTER,EMI	TUNER.AM	: TUNER PACK,AM
GND.MTL	: GROUND PLATE	TUNER.FM	: TUNER PACK,FM
GND.TERM	: GROUND TERMINAL	TUNER.PK	: FRONT-END TUNER PACK
HOLDER.FUS	: FUSE HOLDER	VR	: ROTARY POTENTIOMETER
IC.PRTCT	: IC PROTECTOR	VR.MTR	: POTENTIOMETER WITH MOTOR
JUMPER.CN	: JUMPER CONNECTOR	VR.SW	: POTENTIOMETER WITH ROTARY SW
JUMPER.TST	: JUMPER,TEST POINT	VR.SLIDE	: SLIDE POTENTIOMETER
L.DTCT	: LIGHT DETECTING MODULE	VR.TRIM	: TRIMMER POTENTIOMETER

Note) Those parts marked with “#” are not included in the P.C.B. ass'y.

P. C. B. MONO

*
*
*

Schm Ref.	PART NO.	Description	Remarks
	AAAX39610	MONO BOARD(UCRATPK)	3139 248 82211
	AAAX39600	MONO BOARD (GB)	3139 247 10631
1210	AAAX39910	RSNR. CRYST	8.4672MHz 2422 543 01242
2100	US061470	C. CE. CHP	47pF 50V
2101	US063470	C. CE. CHP	4700pF 50V
2102	US135100	C. CE. CHP	0.1uF 16V
2103	US126100	C. CE. CHP	1uF 10V
2104	US063100	C. CE. M. CHP	1000pF 50V
2105	US135100	C. CE. CHP	0.1uF 16V
2106	US126100	C. CE. CHP	1uF 10V
2107	UB214680	C. CE. CHP	0.068uF 16V
2108	US135100	C. CE. CHP	0.1uF 16V
2109	US135100	C. CE. CHP	0.1uF 16V
2110	US063100	C. CE. M. CHP	1000pF 50V
2111	US135100	C. CE. CHP	0.1uF 16V
2112	US135100	C. CE. CHP	0.1uF 16V
2113	US135100	C. CE. CHP	0.1uF 16V
2114	US135100	C. CE. CHP	0.1uF 16V
2115	UB051820	C. CE. CHP	82pF 50V
2116	US063470	C. CE. CHP	4700pF 16V
2117	UB051820	C. CE. CHP	82pF 50V
2118	US135100	C. CE. CHP	0.1uF 16V
2119	US061180	C. CE. CHP	18pF 50V
2120	US135100	C. CE. CHP	0.1uF 16V
2121	US135100	C. CE. CHP	0.1uF 16V
2122	US135100	C. CE. CHP	0.1uF 16V
2137	US135100	C. CE. CHP	0.1uF 16V
2200	US135100	C. CE. CHP	0.1uF 16V
2201	US135100	C. CE. CHP	0.1uF 16V
2202	US064100	C. CE. CHP	0.01uF 50V
2203	US135100	C. CE. CHP	0.1uF 16V
2204	US135100	C. CE. CHP	0.1uF 16V
2205	US126100	C. CE. CHP	1uF 10V
2206	US126100	C. CE. CHP	1uF 10V
2207	US061220	C. CE. M. CHP	22pF 50V
2208	US135100	C. CE. CHP	0.1uF 16V
2209	US135100	C. CE. CHP	0.1uF 16V
2210	US061220	C. CE. M. CHP	22pF 50V
2211	US135100	C. CE. CHP	0.1uF 16V
2212	US135100	C. CE. CHP	0.1uF 16V
2213	US135100	C. CE. CHP	0.1uF 16V
2214	US135100	C. CE. CHP	0.1uF 16V
2215	US135100	C. CE. CHP	0.1uF 16V
2216	US135100	C. CE. CHP	0.1uF 16V
2217	US135100	C. CE. CHP	0.1uF 16V
2218	US135100	C. CE. CHP	0.1uF 16V
2219	US135100	C. CE. CHP	0.1uF 16V
2220	US135100	C. CE. CHP	0.1uF 16V
2221	US135220	C. CE. CHP	0.22uF 16V
2222	US135100	C. CE. CHP	0.1uF 16V
2223	US135100	C. CE. CHP	0.1uF 16V
2224	US135100	C. CE. CHP	0.1uF 16V
2225	US135100	C. CE. CHP	0.1uF 16V
2226	US135100	C. CE. CHP	0.1uF 16V
2227	US063180	C. CE. CHP	1800pF 50V
2228	US034330	C. CE. CHP	0.033uF 16V
2229	US063180	C. CE. CHP	1800pF 50V
2230	US135100	C. CE. CHP	0.1uF 16V
2231	US135100	C. CE. CHP	0.1uF 16V
2232	US135100	C. CE. CHP	0.1uF 16V
2233	US062100	C. CE. CHP	100pF 50V
2234	US062100	C. CE. CHP	100pF 50V
2235	US062100	C. CE. CHP	100pF 50V

* New Parts

Schm Ref.	PART NO.	Description	Remarks
2236	US062100	C. CE. CHP	100pF 50V
2300	US135100	C. CE. CHP	0.1uF 16V
2301	US135100	C. CE. CHP	0.1uF 16V
2302	US135100	C. CE. CHP	0.1uF 16V
2303	US135100	C. CE. CHP	0.1uF 16V
2304	US135100	C. CE. CHP	0.1uF 16V
2305	US135100	C. CE. CHP	0.1uF 16V
2306	US135100	C. CE. CHP	0.1uF 16V
2308	US135100	C. CE. CHP	0.1uF 16V
2309	US135100	C. CE. CHP	0.1uF 16V
2401	US135100	C. CE. CHP	0.1uF 16V
2417	US135100	C. CE. CHP	0.1uF 16V
2502	US135100	C. CE. CHP	0.1uF 16V
2503	US135100	C. CE. CHP	0.1uF 16V
2508	US135100	C. CE. CHP	0.1uF 16V
2509	US135100	C. CE. CHP	0.1uF 16V
2514	US135100	C. CE. CHP	0.1uF 16V
2515	US135100	C. CE. CHP	0.1uF 16V
2520	US135100	C. CE. CHP	0.1uF 16V
2522	US063150	C. CE. CHP	1500pF 50V
2603	UF066470	C. EL. CHP	4.7uF 50V
2604	US135100	C. CE. CHP	0.1uF 16V
2605	US062100	C. CE. CHP	100pF 50V
2606	UF037100	C. EL. CHP	10uF 16V
2607	US135100	C. CE. CHP	0.1uF 16V
2608	UF037100	C. EL. CHP	10uF 16V
2609	US135100	C. CE. CHP	0.1uF 16V
2610	US044220	C. CE. CHP	0.022uF 25V
2612	US061220	C. CE. M. CHP	22pF 50V
2613	US061220	C. CE. M. CHP	22pF 50V
2614	US061220	C. CE. M. CHP	22pF 50V
2616	US135100	C. CE. CHP	0.1uF 16V
2617	US135100	C. CE. CHP	0.1uF 16V
2618	US135100	C. CE. CHP	0.1uF 16V
2619	US135100	C. CE. CHP	0.1uF 16V
2620	US135100	C. CE. CHP	0.1uF 16V
2621	US135100	C. CE. CHP	0.1uF 16V
2622	US135100	C. CE. CHP	0.1uF 16V
2623	US135100	C. CE. CHP	0.1uF 16V
2624	US135100	C. CE. CHP	0.1uF 16V
2625	US135100	C. CE. CHP	0.1uF 16V
2626	US135100	C. CE. CHP	0.1uF 16V
2627	US135100	C. CE. CHP	0.1uF 16V
2628	US135100	C. CE. CHP	0.1uF 16V
2629	US135100	C. CE. CHP	0.1uF 16V
2630	US135100	C. CE. CHP	0.1uF 16V
2631	US135100	C. CE. CHP	0.1uF 16V
2632	US135100	C. CE. CHP	0.1uF 16V
2633	UF066470	C. EL. CHP	4.7uF 50V
2634	UF066470	C. EL. CHP	4.7uF 50V
2635	US135100	C. CE. CHP	0.1uF 16V
2636	US061220	C. CE. M. CHP	22pF 50V
2637	US061220	C. CE. M. CHP	22pF 50V
2700	US135100	C. CE. CHP	0.1uF 16V
2701	UF066220	C. EL. CHP	2.2uF 50V
2702	US061470	C. CE. CHP	47pF 50V
2703	US061470	C. CE. CHP	47pF 50V
2704	US135100	C. CE. CHP	0.1uF 16V
2705	UF066220	C. EL. CHP	2.2uF 50V
2706	US061470	C. CE. CHP	47pF 50V
2707	US061470	C. CE. CHP	47pF 50V
2708	US063100	C. CE. M. CHP	1000pF 50V
2711	US063100	C. CE. M. CHP	1000pF 50V

* New Parts

DVD-S530/DV-S5550

P. C. B. MONO & P. C. B. AV (U, C, R, A, T, P, K models)

Schm Ref.	PART NO.	Description	Remarks
2713	UF138100	C. EL. CHP 100uF 16V	
2714	US135100	C. CE. CHP 0. 1uF 16V	
2716	US135100	C. CE. CHP 0. 1uF 16V	
2717	UF066220	C. EL. CHP 2. 2uF 50V	
2718	US061470	C. CE. CHP 47pF 50V	
2719	US061470	C. CE. CHP 47pF 50V	
2721	UF138100	C. EL. CHP 100uF 16V	
2722	US135100	C. CE. CHP 0. 1uF 16V	
2723	US135100	C. CE. CHP 0. 1uF 16V	
2724	UF066220	C. EL. CHP 2. 2uF 50V	
2725	US061470	C. CE. CHP 47pF 50V	
2726	US061470	C. CE. CHP 47pF 50V	
2727	US061470	C. CE. CHP 47pF 50V	
2728	US061470	C. CE. CHP 47pF 50V	
2729	US135100	C. CE. CHP 0. 1uF 16V	
2731	US135100	C. CE. CHP 0. 1uF 16V	
2732	US135100	C. CE. CHP 0. 1uF 16V	
2733	UF066220	C. EL. CHP 2. 2uF 50V	
2734	US061470	C. CE. CHP 47pF 50V	
2735	US061470	C. CE. CHP 47pF 50V	
2736	UF138100	C. EL. CHP 100uF 16V	
2737	US135100	C. CE. CHP 0. 1uF 16V	
2738	US135100	C. CE. CHP 0. 1uF 16V	
2739	US135100	C. CE. CHP 0. 1uF 16V	
2742	UF066220	C. EL. CHP 2. 2uF 50V	
2743	US061470	C. CE. CHP 47pF 50V	
2744	US061470	C. CE. CHP 47pF 50V	
2745	US061220	C. CE. M. CHP 22pF 50V	
2746	UF138100	C. EL. CHP 100uF 16V	
2760	US135100	C. CE. CHP 0. 1uF 16V	
2761	US135100	C. CE. CHP 0. 1uF 16V	
2762	US135100	C. CE. CHP 0. 1uF 16V	
2763	US135100	C. CE. CHP 0. 1uF 16V	
6100	AAAX22630	DIODE. CHP BAS316	4822 130 11397
6101	AAAX22630	DIODE. CHP BAS316	4822 130 11397
6303	AAAX22690	DIODE. CHP S1D	9322 128 69685
6304	AAAX22690	DIODE. CHP S1D	9322 128 69685
6305	AAAX22690	DIODE. CHP S1D	9322 128 69685
* 7100	AAAX39570	IC TZA1033HL/K2	9352 703 49118
7101	AAAX21690	IC MC34072D	4822 209 32073
* 7103	AAAX22740	TR. CHP BC847B	4822 130 60511
* 7104	AAAX39450	FET BST82	9337 331 10215
7107	AAAX22740	TR. CHP BC847B	4822 130 60511
7109	AAAX22740	TR. CHP BC847B	4822 130 60511
* 7111	AAAX39450	FET BST82	9337 331 10215
* 7112	AAAX39450	FET BST82	9337 331 10215
7113	AAAX22740	TR. CHP BC847B	4822 130 60511
* 7200	AAAX39560	IC SAA7812HL/M3B	9352 681 05557
7201	AAAX29980	TR BC857C	5322 130 42756
7202	AAAX22740	TR. CHP BC847B	4822 130 60511
* 7205	AAAX39520	IC FLASH DVD-SD4. 02	3139 240 50401
* 7300	AAAX21660	IC LM833D	4822 209 30095
7301	AAAX39530	IC BA6665FM	9322 139 85668
7302	AAAX21620	IC BA5938FM	4822 209 17229
7405	AAAX21850	IC M24C32-WMN6TNKSA	9322 156 81668
* 7500	AAAX39540	IC MT48LC4M16A2TG-7E	9322 166 67668
7502	AAAX22740	TR. CHP BC847B	4822 130 60511
* 7600	AAAX39550	IC ST15519	9322 171 47671
* 7603	AAAX39920	RSNR. CRYST 27MHz 2560TK-2	2722 171 08763
7605	AAAX22740	TR. CHP BC847B	4822 130 60511
7701	AAAX22740	TR. CHP BC847B	4822 130 60511
7705	AAAX22740	TR. CHP BC847B	4822 130 60511
7707	AAAX22740	TR. CHP BC847B	4822 130 60511

* New Parts

Schm Ref.	PART NO.	Description	Remarks
7710	AAAX22740	TR. CHP BC847B	4822 130 60511
* 7711	AAAX39530	IC LF25C	9322 139 85668
7713	AAAX22740	TR. CHP BC847B	4822 130 60511
* 7714	AAAX39530	IC LF25C	9322 139 85668
7716	AAAX29510	IC 74HCT1G125	9352 456 80115
7718	AAAX22740	TR. CHP BC847B	4822 130 60511
7719	AAAX29940	FET BSN20	5322 130 63289
7720	AAAX29940	FET BSN20	5322 130 63289
	AAAX39590	AV(UCRATPK)	3139 248 82061
1105	AAAX22250	JACK. PIN 3P	2422 026 05049
1140	AAAX39760	JACK. PIN 6P	2422 026 05318
2103	US064100	C. CE. CHP 0. 01uF 50V	
2104	US062220	C. CE. CHP 220pF 50V	
2105	US062220	C. CE. CHP 220pF 50V	
2107	US061220	C. CE. M. CHP 22pF 50V	
2108	US061220	C. CE. M. CHP 22pF 50V	
2131	US062680	C. CE. CHP 680pF 50V	
2133	US062220	C. CE. CHP 220pF 50V	
2137	US062220	C. CE. CHP 220pF 50V	
2138	US062220	C. CE. CHP 220pF 50V	
2161	US062220	C. CE. CHP 220pF 50V	
2168	US064100	C. CE. CHP 0. 01uF 50V	
2169	US064100	C. CE. CHP 0. 01uF 50V	
2170	US064100	C. CE. CHP 0. 01uF 50V	
2201	UR847470	C. EL 47uF 25V	
2202	US135100	C. CE. CHP 0. 1uF 16V	
2203	US135100	C. CE. CHP 0. 1uF 16V	
2204	US135100	C. CE. CHP 0. 1uF 16V	
2207	US135100	C. CE. CHP 0. 1uF 16V	
2208	US044220	C. CE. CHP 0. 022uF 25V	
2209	AAAX23610	C. EL 100uF 16V	4822 124 22339
2210	US044220	C. CE. CHP 0. 022uF 25V	
2215	US062680	C. CE. CHP 680pF 50V	
2219	US044220	C. CE. CHP 0. 022uF 25V	
2221	US135100	C. CE. CHP 0. 1uF 16V	
2222	US062680	C. CE. CHP 680pF 50V	
2223	US044220	C. CE. CHP 0. 022uF 25V	
2225	US062680	C. CE. CHP 680pF 50V	
2229	AAAX23610	C. EL 100uF 16V	4822 124 22339
2230	US062680	C. CE. CHP 680pF 50V	
2231	UR867100	C. EL 10uF 50V	
2232	US062470	C. CE. CHP 470pF 50V	
2233	US135100	C. CE. CHP 0. 1uF 16V	
2235	UR848100	C. EL 100uF 25V	
2236	UR848100	C. EL 100uF 25V	
2237	US135100	C. CE. CHP 0. 1uF 16V	
2238	US062470	C. CE. CHP 470pF 50V	
2239	US062470	C. CE. CHP 470pF 50V	
2240	UR867100	C. EL 10uF 50V	
2241	US062470	C. CE. CHP 470pF 50V	
2242	US063330	C. CE. CHP 3300pF 50V	
2243	US062470	C. CE. CHP 470pF 50V	
2244	US063330	C. CE. CHP 3300pF 50V	
2245	US062470	C. CE. CHP 470pF 50V	
2246	US062470	C. CE. CHP 470pF 50V	
2248	US135100	C. CE. CHP 0. 1uF 16V	
2301	UR848100	C. EL 100uF 25V	
2302	UR838220	C. EL 220uF 16V	
2303	UB245100	C. CE. CHP 0. 1uF 25V	
2304	US064100	C. CE. CHP 0. 01uF 50V	
2306	UR848100	C. EL 100uF 25V	

* New Parts

DVD-S530/DV-S5550

P. C. B. AV (B, G models)

Schm Ref.	PART NO.	Description	Remarks
2307	US135100	C. CE. CHP	0.1uF 16V
2310	UR848100	C. EL	100uF 25V
2311	US135100	C. CE. CHP	0.1uF 16V
2314	US135100	C. CE. CHP	0.1uF 16V
2315	UR848100	C. EL	100uF 25V
2316	US135100	C. CE. CHP	0.1uF 16V
2317	UR848100	C. EL	100uF 25V
2318	UR848100	C. EL	100uF 25V
2319	UR848100	C. EL	100uF 25V
2322	US135100	C. CE. CHP	0.1uF 16V
6302	AAAX22630	DIODE. CHP	BAS316 4822 130 11397
6308	AAAX39720	DIODE. ZENR	BZX384-C6V2 9322 163 91685
7166	AAAX29930	TR. CHP	BC807-25 5322 130 60845
7200	X0661A00	IC	AK4382AVT
7211	AAAX21660	IC	LM833D 4822 209 30095
7212	AAAX21660	IC	LM833D 4822 209 30095
7214	AAAX29930	TR. CHP	BC807-25 5322 130 60845
7215	AAAX29930	TR. CHP	BC807-25 5322 130 60845
7216	AAAX29930	TR. CHP	BC807-25 5322 130 60845
7217	AAAX29930	TR. CHP	BC807-25 5322 130 60845
7218	AAAX39900	CN. PHOT. SN	GP1FA550TZ 9322 155 28667
7300	AAAX22740	TR. CHP	BC847B 4822 130 60511
7301	AAAX29980	TR	BC857C 5322 130 42756
7303	AAAX29980	TR	BC857C 5322 130 42756
7304	AAAX29930	TR. CHP	BC807-25 5322 130 60845
7305	AAAX29930	TR. CHP	BC807-25 5322 130 60845
7306	AAAX22740	TR. CHP	BC847B 4822 130 60511
7308	AAAX39440	FET	IRLML2502 9322 163 27685
7309	AAAX39440	FET	IRLML2502 9322 163 27685
7423	AAAX29490	IC	L78L05ACD 4822 209 90927
7503	AAAX22740	TR. CHP	BC847B 4822 130 60511
7505	AAAX22740	TR. CHP	BC847B 4822 130 60511
7506	AAAX39440	FET	IRLML2502 9322 163 27685
	AAAX39580	AV (BG)	3139 248 81651
1130	AAAX29760	TERM. SCART	21P 2422 025 12352
1140	AAAX39760	JACK. PIN	6P 2422 026 05318
2104	US062220	C. CE. CHP	220pF 50V
2105	US062220	C. CE. CHP	220pF 50V
2106	US063100	C. CE. M. CHP	1000pF 50V
2107	US061220	C. CE. M. CHP	22pF 50V
2108	US061220	C. CE. M. CHP	22pF 50V
2112	UR838470	C. EL	470uF 16V
2130	US063100	C. CE. M. CHP	1000pF 50V
2131	US062680	C. CE. CHP	680pF 50V
2132	US044220	C. CE. CHP	0.022uF 25V
2133	US062220	C. CE. CHP	220pF 50V
2134	UR848100	C. EL	100uF 25V
2135	US135100	C. CE. CHP	0.1uF 16V
2136	UB445470	C. CE. M. CHP	0.47uF 16V
2137	US062220	C. CE. CHP	220pF 50V
2138	US062220	C. CE. CHP	220pF 50V
2139	US062220	C. CE. CHP	220pF 50V
2140	US062220	C. CE. CHP	220pF 50V
2141	US062220	C. CE. CHP	220pF 50V
2151	US064100	C. CE. CHP	0.01uF 50V
2152	US064100	C. CE. CHP	0.01uF 50V
2153	US064100	C. CE. CHP	0.01uF 50V
2161	US062220	C. CE. CHP	220pF 50V
2162	UR838470	C. EL	470uF 16V
2163	UR838470	C. EL	470uF 16V
2164	UR838470	C. EL	470uF 16V

* New Parts

Schm Ref.	PART NO.	Description	Remarks
2201	UR847470	C. EL	47uF 25V
2202	US135100	C. CE. CHP	0.1uF 16V
2203	US135100	C. CE. CHP	0.1uF 16V
2204	US135100	C. CE. CHP	0.1uF 16V
2207	US135100	C. CE. CHP	0.1uF 16V
2208	US044220	C. CE. CHP	0.022uF 25V
2209	AAAX23610	C. EL	100uF 16V 4822 124 22339
2210	US044220	C. CE. CHP	0.022uF 25V
2215	US062680	C. CE. CHP	680pF 50V
2219	US044220	C. CE. CHP	0.022uF 25V
2221	US135100	C. CE. CHP	0.1uF 16V
2222	US062680	C. CE. CHP	680pF 50V
2223	US044220	C. CE. CHP	0.022uF 25V
2225	US062680	C. CE. CHP	680pF 50V
2229	AAAX23610	C. EL	100uF 16V 4822 124 22339
2230	US062680	C. CE. CHP	680pF 50V
2231	UR867100	C. EL	10uF 50V
2235	UR848100	C. EL	100uF 25V
2236	UR848100	C. EL	100uF 25V
2237	US135100	C. CE. CHP	0.1uF 16V
2238	US062470	C. CE. CHP	470pF 50V
2239	US062470	C. CE. CHP	470pF 50V
2240	UR867100	C. EL	10uF 50V
2241	US062470	C. CE. CHP	470pF 50V
2242	US063330	C. CE. CHP	3300pF 50V
2243	US062470	C. CE. CHP	470pF 50V
2244	US063330	C. CE. CHP	3300pF 50V
2245	US062470	C. CE. CHP	470pF 50V
2246	US062470	C. CE. CHP	470pF 50V
2248	US135100	C. CE. CHP	0.1uF 16V
2301	UR848100	C. EL	100uF 25V
2302	UR838220	C. EL	220uF 16V
2303	UB245100	C. CE. CHP	0.1uF 25V
2304	US064100	C. CE. CHP	0.01uF 50V
2306	UR848100	C. EL	100uF 25V
2307	US135100	C. CE. CHP	0.1uF 16V
2310	UR848100	C. EL	100uF 25V
2311	US135100	C. CE. CHP	0.1uF 16V
2314	US135100	C. CE. CHP	0.1uF 16V
2315	UR848100	C. EL	100uF 25V
2316	US135100	C. CE. CHP	0.1uF 16V
2317	UR848100	C. EL	100uF 25V
2318	UR848100	C. EL	100uF 25V
2319	UR848100	C. EL	100uF 25V
2322	US135100	C. CE. CHP	0.1uF 16V
6302	AAAX22630	DIODE. CHP	BAS316 4822 130 11397
6308	AAAX39720	DIODE. ZENR	BZX384-C6V2 9322 163 91685
7130	AAAX29930	TR. CHP	BC807-25 5322 130 60845
7131	AAAX29930	TR. CHP	BC807-25 5322 130 60845
7132	AAAX22740	TR. CHP	BC847B 4822 130 60511
7133	AAAX22740	TR. CHP	BC847B 4822 130 60511
7134	AAAX29980	TR	BC857C 5322 130 42756
7150	AAAX22740	TR. CHP	BC847B 4822 130 60511
7151	AAAX22740	TR. CHP	BC847B 4822 130 60511
7160	AAAX22740	TR. CHP	BC847B 4822 130 60511
7161	AAAX22740	TR. CHP	BC847B 4822 130 60511
7164	AAAX22740	TR. CHP	BC847B 4822 130 60511
7166	AAAX29930	TR. CHP	BC807-25 5322 130 60845
7167	AAAX22740	TR. CHP	BC847B 4822 130 60511
7168	AAAX22740	TR. CHP	BC847B 4822 130 60511
7169	AAAX22740	TR. CHP	BC847B 4822 130 60511
7170	AAAX22740	TR. CHP	BC847B 4822 130 60511
7200	X0661A00	IC	AK4382AVT

* New Parts

P. C. B. AV (B, G models) & P. C. B. DISPLAY

Schm Ref.	PART NO.	Description	Remarks
7211	AAx21660	IC LM833D	4822 209 30095
7212	AAx21660	IC LM833D	4822 209 30095
7214	AAx29930	TR. CHP BC807-25	5322 130 60845
7215	AAx29930	TR. CHP BC807-25	5322 130 60845
7216	AAx29930	TR. CHP BC807-25	5322 130 60845
7217	AAx29930	TR. CHP BC807-25	5322 130 60845
* 7218	AAx39900	CN. PHOT. SN GP1FA550TZ	9322 155 28667
7300	AAx22740	TR. CHP BC847B	4822 130 60511
7301	AAx29980	TR BC857C	5322 130 42756
7303	AAx29980	TR BC857C	5322 130 42756
7304	AAx29930	TR. CHP BC807-25	5322 130 60845
7305	AAx29930	TR. CHP BC807-25	5322 130 60845
7306	AAx22740	TR. CHP BC847B	4822 130 60511
* 7308	AAx39440	FET IRLML2502	9322 163 27685
* 7309	AAx39440	FET IRLML2502	9322 163 27685
7423	AAx29490	IC L78L05ACD	4822 209 90927
7503	AAx22740	TR. CHP BC847B	4822 130 60511
7505	AAx22740	TR. CHP BC847B	4822 130 60511
* 7506	AAx39440	FET IRLML2502	9322 163 27685
* * * * *	AAx39620	DISPLAY (UCRATPK)	3139 248 82111
* * * * *	AAx39630	DISPLAY (GB)	3139 248 82331
1100	AAx39710	SW. TACT	2422 128 02742
1101	AAx39710	SW. TACT	2422 128 02742
1105	AAx39710	SW. TACT	2422 128 02742
1106	AAx39710	SW. TACT	2422 128 02742
1108	AAx39710	SW. TACT	2422 128 02742
1112	AAx39770	BUZZER PKM13EPY-4002	2422 527 01005
1113	AAx39890	FL. DISPLAY 11-MT-130GNK	3139 240 50211
1117	AAx23300	RSNR. CRYST 8MHz CSTS	2422 540 98423
* 1201	AAx39710	SW. TACT	2422 128 02742
2105	UR838100	C. EL 100uF 16V	
2106	UR838100	C. EL 100uF 16V	
2116	US034330	C. CE. CHP 0.033uF 16V	
2123	UR838100	C. EL 100uF 16V	
2124	UR867220	C. EL 22uF 50V	
2126	UR866470	C. EL 4.7uF 50V	
2129	UR867220	C. EL 22uF 50V	
2130	US062220	C. CE. CHP 220pF 50V	
2131	US062220	C. CE. CHP 220pF 50V	
2132	US034330	C. CE. CHP 0.033uF 16V	
2133	UR867220	C. EL 22uF 50V	
2134	US034470	C. CE. CHP 0.047uF 16V	
2135	US061220	C. CE. M. CHP 22pF 50V	
2136	US061220	C. CE. M. CHP 22pF 50V	
2137	US034330	C. CE. CHP 0.033uF 16V	
2138	US061220	C. CE. M. CHP 22pF 50V	
2139	US034330	C. CE. CHP 0.033uF 16V	
2140	US063100	C. CE. CHP 1000pF 50V	
2141	US063100	C. CE. CHP 1000pF 50V	
6100	AAx22630	DIODE. CHP BAS316	4822 130 11397
6101	AAx29920	DIOD. Z. CHP UDZ6.2B TE-17	9965 000 04709
6102	AAx29920	DIOD. Z. CHP UDZ6.2B TE-17	9965 000 04709
6104	AAx22630	DIODE. CHP BAS316	4822 130 11397
6105	AAx22630	DIODE. CHP BAS316	4822 130 11397
7101	AAx22740	TR. CHP BC847B	4822 130 60511
7105	AAx29960	TR BC337-25	4822 130 40981
7106	AAx22850	TR BC327	4822 130 40854
7107	AAx22740	TR. CHP BC847B	4822 130 60511
7108	AAx22740	TR. CHP BC847B	4822 130 60511
* 7110	AAx39880	L. DTCT TSOP2236LL1	9322 180 04667
* 7113	AAx39960	IC TMP87CH74F-3PG5	3139 240 50271

* New Parts

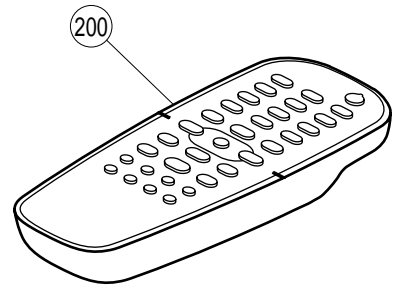
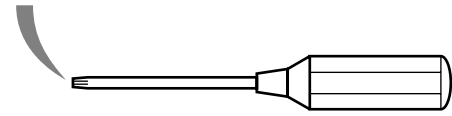
Schm Ref.	PART NO.	Description	Remarks
	RD350000	R. CAR. CHP 0Ω 1/10W	
	RD353100	R. CAR. CHP 1Ω 1/10W	
	RD353220	R. CAR. CHP 2.2Ω 1/10W	
	RD353470	R. CAR. CHP 4.7Ω 1/10W	
	RD354330	R. CAR. CHP 33Ω 1/10W	
	RD354470	R. CAR. CHP 47Ω 1/10W	
	RD355100	R. CAR. CHP 100Ω 1/10W	
	RD355390	R. CAR. CHP 390Ω 1/10W	
	RD356100	R. CAR. CHP 1KΩ 1/10W	
	RD357220	R. CAR. CHP 22KΩ 1/10W	
	RD357360	R. CAR. CHP 36KΩ 1/10W	
	HX611040	R. CAR. CHP 0Ω 1/16W	
	HX610750	R. CAR. CHP 1Ω 1/16W	
	NX703320	R. CAR. CHP 2.2Ω 1/16W	ERJ3GEYJ2R2
	HX611160	R. CAR. CHP 10Ω 1/16W	
	HX610090	R. CAR. CHP 22Ω 1/16W	ERJ3GEYJ220
	HX611150	R. CAR. CHP 47Ω 1/16W	
	AAx06470	R. CAR. CHP 68Ω 1/16W	ERJ3GEYJ680
	AAx15900	R. CAR. CHP 75Ω 1/16W	ERJ3RED750
	HX610900	R. CAR. CHP 100Ω 1/16W	
	AAx15800	R. CAR. CHP 150Ω 1/16W	ERJ3GEYF151
	HX610960	R. CAR. CHP 220Ω 1/16W	1305810918
	HX611120	R. CAR. CHP 270Ω 1/16W	
	HX610170	R. CAR. CHP 330Ω 1/16W	ERJ3GEYJ331
	HX610890	R. CAR. CHP 470Ω 1/16W	
	HX611010	R. CAR. CHP 560Ω 1/16W	1305810927
	HX610910	R. CAR. CHP 1kΩ 1/16W	
	HX611090	R. CAR. CHP 1.5kΩ 1/16W	
	HX610110	R. CAR. CHP 2.2KΩ 1/16W	
	HX611140	R. CAR. CHP 2.7kΩ 1/16W	
	HX610980	R. CAR. CHP 3.3kΩ 1/16W	
	AAx17770	R. CAR. CHP 3.9KΩ 1/16W	VRSCY1JB392F
	HX611080	R. CAR. CHP 4.7kΩ 1/16W	
	HX611030	R. CAR. CHP 6.8kΩ 1/16W	
	HX610920	R. CAR. CHP 10kΩ 1/16W	
	HX610780	R. CAR. CHP 12kΩ 1/16W	
	HX610950	R. CAR. CHP 15KΩ 1/16W	
	HX611110	R. CAR. CHP 22kΩ 1/16W	
	HX611130	R. CAR. CHP 27kΩ 1/16W	
	AAx17750	R. CAR. CHP 33KΩ 1/16W	VRSCY1JB333F
	AAx06590	R. CAR. CHP 39KΩ 1/16W	ERJ3RBD393
	HX611070	R. CAR. CHP 1MΩ 1/16W	

* New Parts

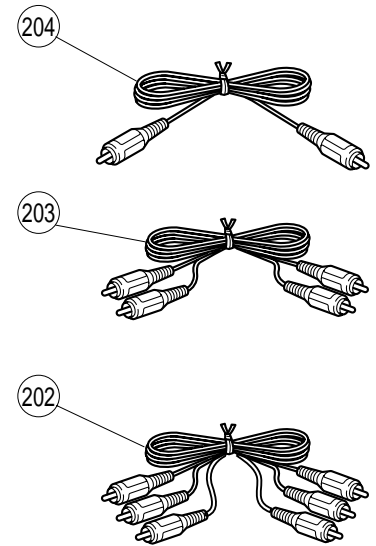
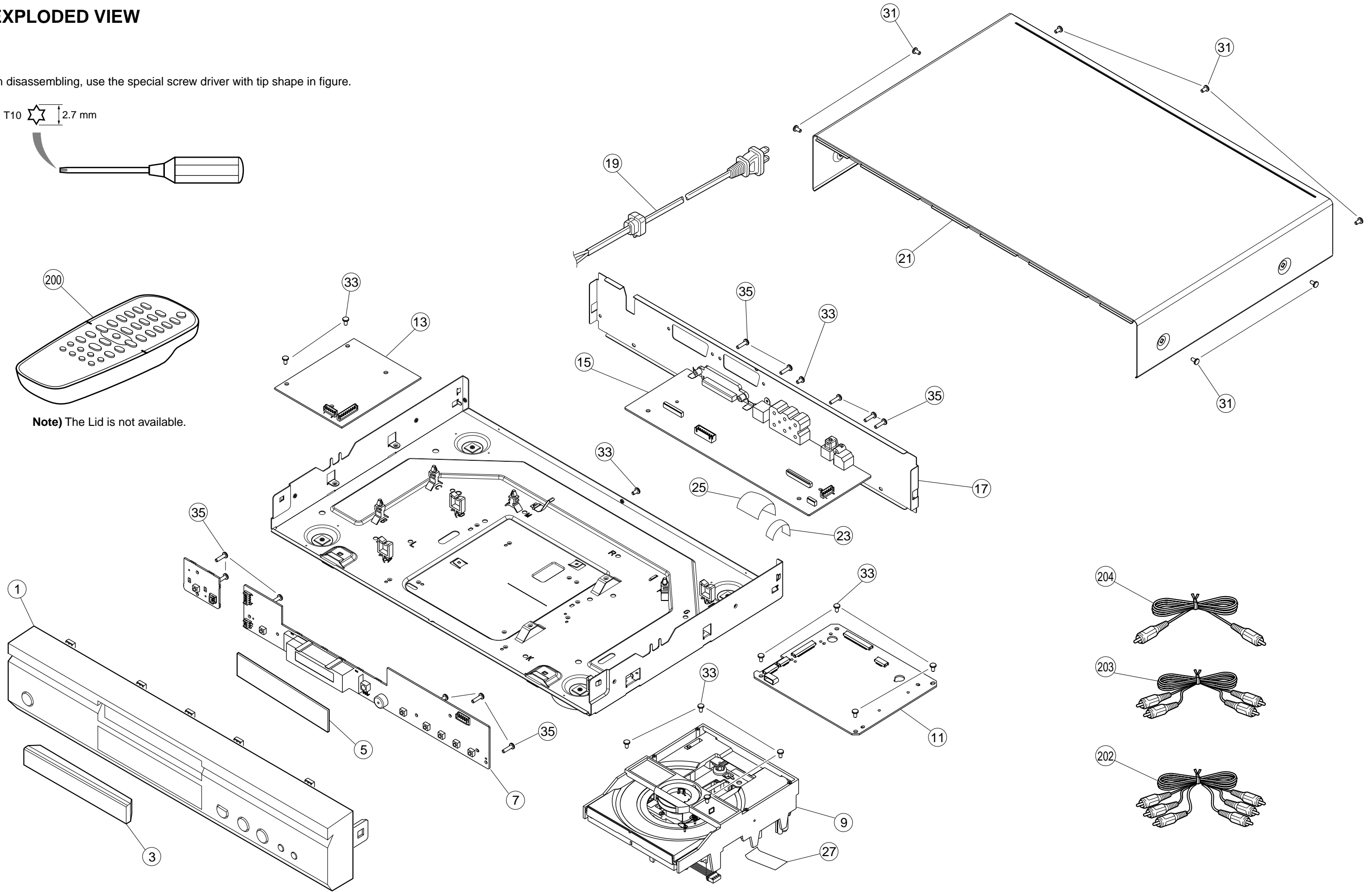
EXPLODED VIEW

When disassembling, use the special screw driver with tip shape in figure.

T10 2.7 mm



Note) The Lid is not available.



MECHANICAL PARTS

Ref. No.	PART NO.	Description	Remarks	Markets	
* 1	AAAX39510	FRONT PANEL ASS'Y	S530BL	3139 247 56201	UCPA
* 1	AAAX41990	FRONT PANEL ASS'Y	S530BL	3139 247 57451	BG
* 1	AAAX39500	FRONT PANEL ASS'Y	S530GD	3139 247 56191	RK
* 1	AAAX41970	FRONT PANEL ASS'Y	S530GD	3139 247 57431	G
* 1	AAAX39490	FRONT PANEL ASS'Y	S530TI	3139 247 56181	BG
* 1	AAAX39470	FRONT PANEL ASS'Y	5550BL	3139 247 56161	UCA
* 1	AAAX41980	FRONT PANEL ASS'Y	5550BL	3139 247 57441	G
* 1	AAAX39480	FRONT PANEL ASS'Y	5550TI	3139 247 56171	U
* 3	AAAX39700	COVER TRAY	S530BL	3139 247 56341	UCPA
* 3	AAAX42030	COVER TRAY	S530BL	3139 247 57251	BG
* 3	AAAX39680	COVER TRAY	S530GD	3139 247 56261	RK
* 3	AAAX42010	COVER TRAY	S530GD	3139 247 57231	G
* 3	AAAX39670	COVER TRAY	S530TI	3139 247 56221	BG
* 3	AAAX39690	COVER TRAY	S5550BL	3139 247 56301	UCA
* 3	AAAX42020	COVER TRAY	S5550BL	3139 247 57241	G
* 3	AAAX42000	COVER TRAY	S5550TI	3139 247 57221	U
* 5	AAAX39460	FL FILTER		3139 244 80011	
* 7	AAAX39620	P. C. B. ASS'Y	DISPLAY	3139 248 82111	UCRATPK
* 7	AAAX39630	P. C. B. ASS'Y	DISPLAY	3139 248 82331	BG
* 9	AAAX39430	DVD MECHANISM (BASIC ENGINE)	VAL6013/02	9305 023 61302	
* 11	AAAX39610	P. C. B. ASS'Y	MONO BOARD	3139 248 82211	UCRATPK
* 11	AAAX39600	P. C. B. ASS'Y	MONO BOARD	3139 247 10631	BG
* 13	AAAX39930	POWER SUPPLY UNIT	VFM2002	3122 427 23341	UCRATPK
* 13	AAAX39940	POWER SUPPLY UNIT	VFM2002	3122 427 23351	BG
* 15	AAAX39590	P. C. B. ASS'Y	AV	3139 248 82061	UCRATPK
* 15	AAAX39580	P. C. B. ASS'Y	AV	3139 248 81651	BG
* 17	AAAX39840	REAR PANEL	S530	3139 247 56531	UC
* 17	AAAX39810	REAR PANEL	S530	3139 247 56501	RK
* 17	AAAX39800	REAR PANEL	S530	3139 247 56481	T
* 17	AAAX39830	REAR PANEL	S530	3139 247 56521	A
* 17	AAAX39860	REAR PANEL	S530	3139 247 56551	P
* 17	AAAX39790	REAR PANEL	S530	3139 247 56471	BG
* 17	AAAX39850	REAR PANEL	S5550	3139 247 56541	UC
* 17	AAAX39820	REAR PANEL	S5550	3139 247 56511	A
* 17	AAAX39780	REAR PANEL	S5550	3139 247 56461	G
19	V2363800	POWER CABLE	2m		UC
19	VZ542500	POWER CABLE	2m		RTP
19	V8013000	POWER CABLE	2m		K
19	V2296800	POWER CABLE	2m		A
19	VV437300	POWER CABLE	2m		B
19	VN363700	POWER CABLE	2m		G
* 21	AAAX39750	TOP COVER	BL	3139 247 56451	
* 21	AAAX39740	TOP COVER	GD	3139 247 56441	
* 21	AAAX39730	TOP COVER	TI	3139 247 56431	
* 23	AAAX39640	FLEXIBLE FOIL CONNECTION	FFC 8P 100mm P=1m	3139 110 36061	
* 25	AAAX39650	FLEXIBLE FOIL CONNECTION	FFC 30P 100mm P=1m	3139 110 36071	
* 27	AAAX39660	FLEXIBLE FOIL CONNECTION	FFC 23P 158mm P=1m	3139 241 00131	
31	AAAX23640	PAN HEAD TORX S-TITE SCREW	3x6 ZN-BL (BL)	4822 502 13988	
31	AAAX23650	PAN HEAD TORX S-TITE SCREW	3x6 NI (GD, TI)	2511 077 01039	
33	AAAX23640	PAN HEAD TORX S-TITE SCREW	3x6 ZN-BL	4822 502 13988	
35	AAAX23630	PAN HEAD TORX P-TITE SCREW	3x10 ZN-BL	2511 076 50013	

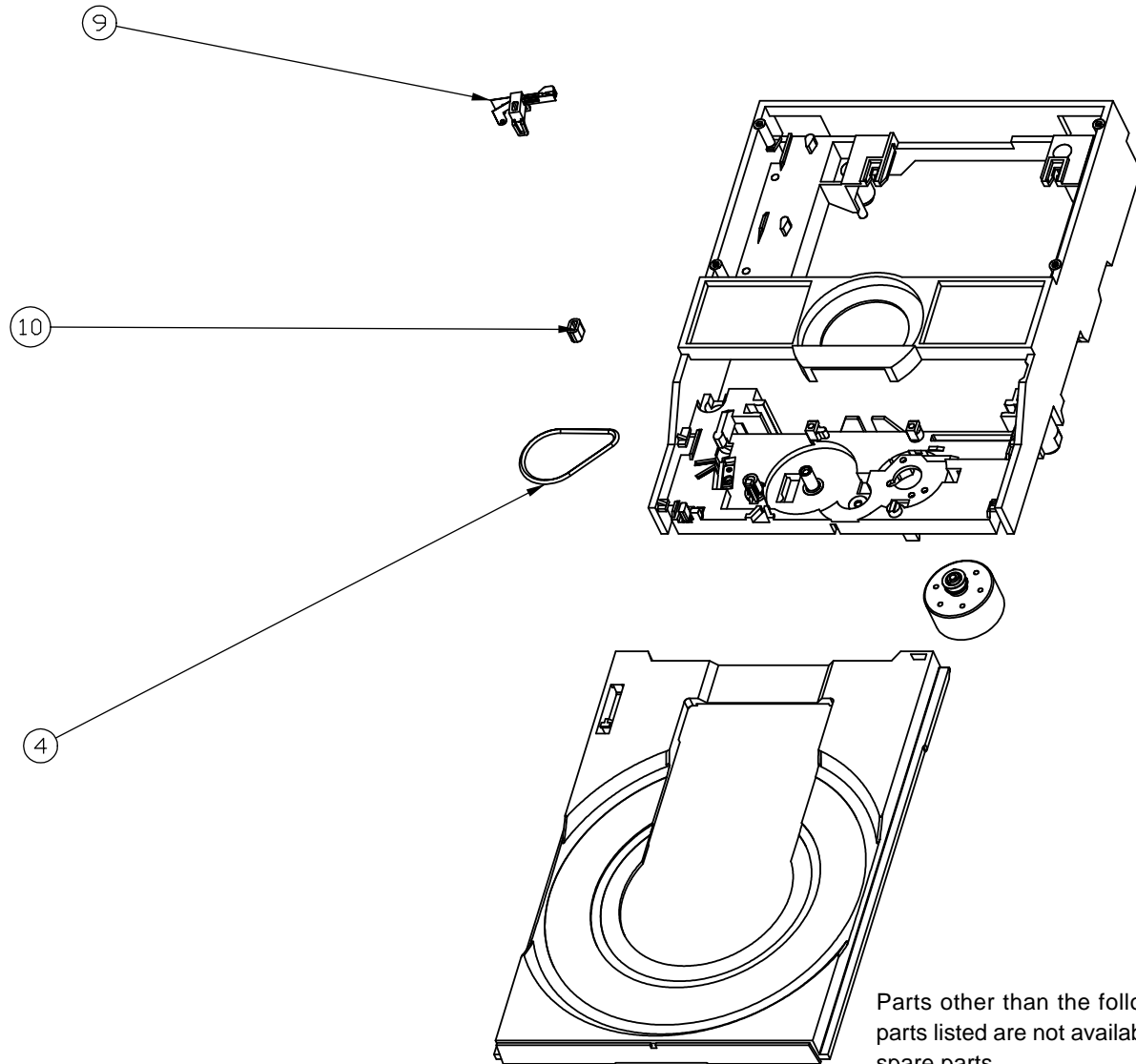
* New Parts

DVD-S530/DV-S5550

Ref. No.	PART NO.	Description	Remarks	Markets
*		ACCESSORY		
200	AAX39870	REMOTE CONTROL	RC19133010/00	3139 238 02571
202	AAX23450	AUDIO/VIDEO CABLE	YE/RD/WH 1.5m 1pc	2422 076 00304
203	AAX21980	AUDIO PIN CABLE	RD/WH 1.5m 1pc	3103 308 92611
204	AAX22970	VIDEO CABLE	YE 1.5m 1pc	3104 108 45432

* New Parts

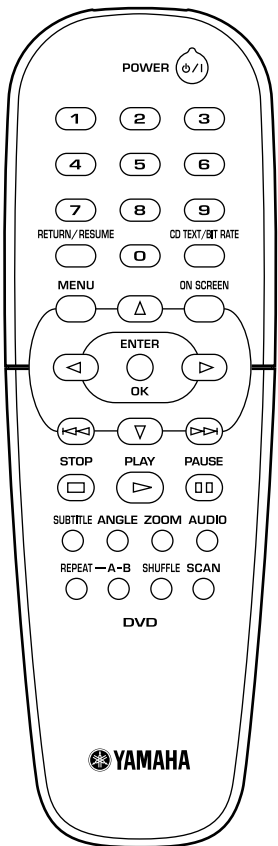
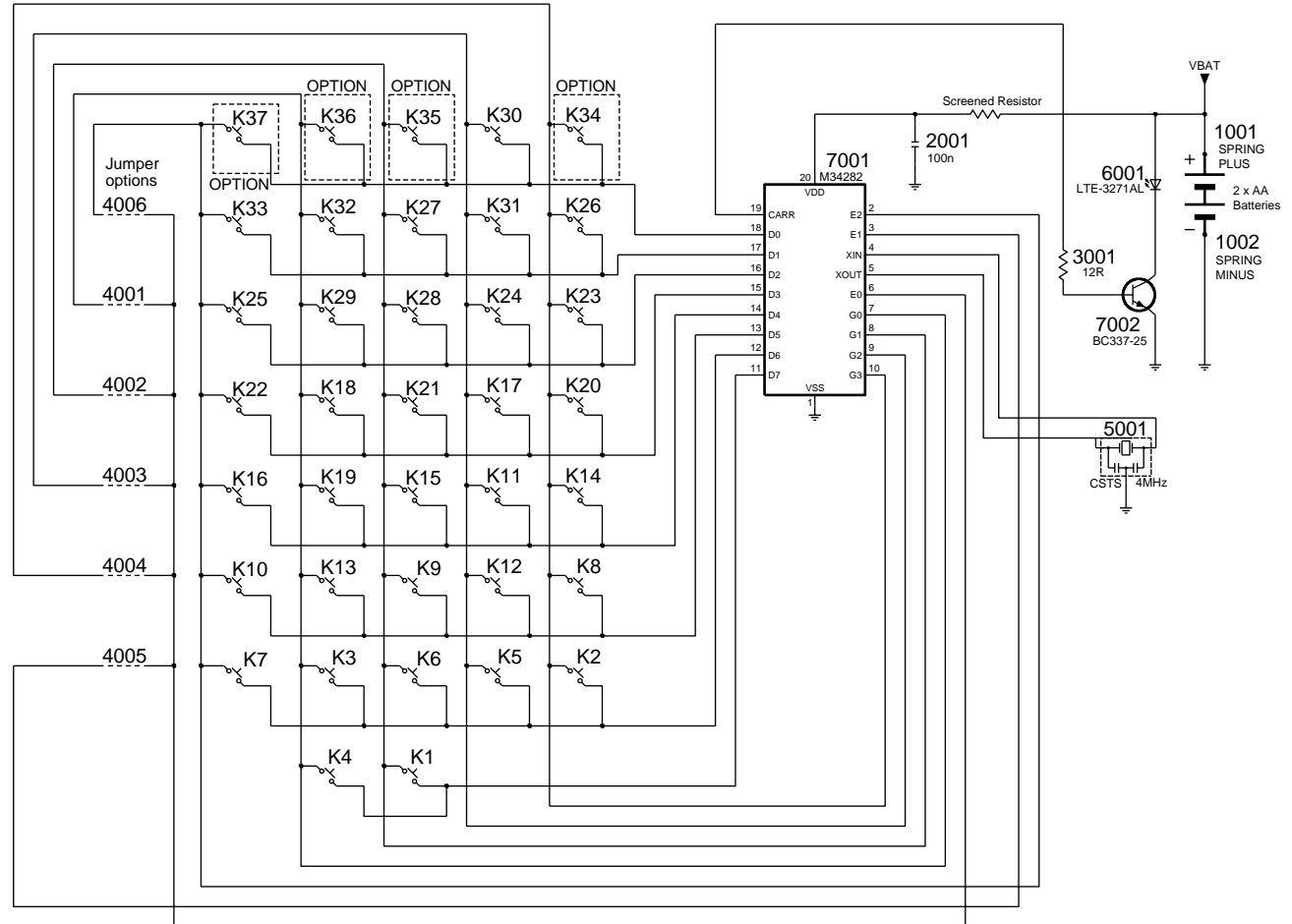
■ DVD MECHANISM ASS'Y



Ref. No.	PART NO.	Description	Remarks	Markets
*		DVD MECHANISM (BASIC ENGINE)	VAL6013/02	9305 023 61302
4	AAX39430	BELT/DRIVING		4822 358 10266
9	AAX22410	SWITCH/OTHERS		3139 198 80010
10	AAX23210	RING	TULE	4822 532 13097
		TRAY		3139 194 00270
		MOTOR	DC <=37.5W	3139 197 50060

* New Parts

REMOTE CONTROL



Protocol Type: RC6 Mode 0

Key No.	RC Key id	Hexadecimal code
1	POWER $\phi/ $	C
2	1	1
3	2	2
4	3	3
5	4	4
6	5	5
7	6	6
8	7	7
9	8	8
10	9	9
11	RETURN/RESUME	83
12	0	0
13	CD TEXT/BIT RATE	EF
14	MENU	54
15	CURSOR UP Δ	58
16	ON SCREEN	82
17	CURSOR LEFT \triangleleft	5A
18	OK	5C
19	CURSOR RIGHT \triangleright	5B
20	PREVIOUS \ll	21
21	CURSOR DOWN ∇	59
22	NEXT \gg	20
23	STOP \square	31
24	PLAY \triangleright	2C
25	PAUSE $\square\square$	30
26	SUBTITLE	4B
27	ANGLE	85
28	ZOOM	F7
29	AUDIO	4E
30	REPEAT	1D
31	A/B REPEAT	3B
32	SHUFFLE	1C
33	SCAN	2A

DVD-S530/DV-S5550

DVD-S530/DV-S5550

